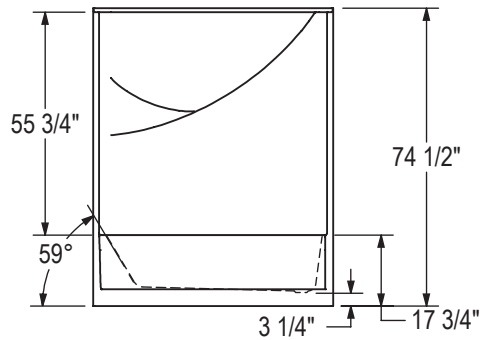
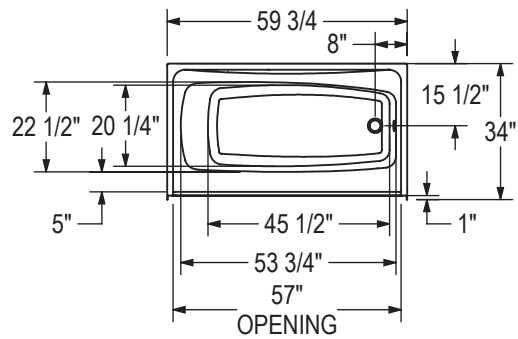


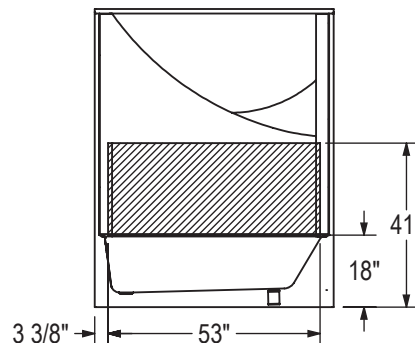
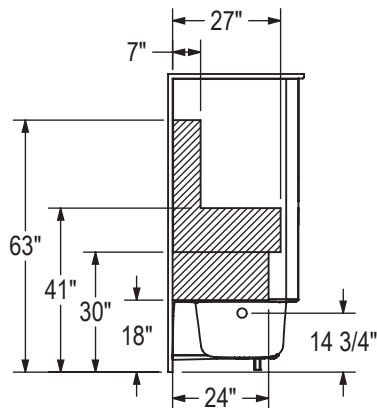
BASE MODEL
 RIGHT SIDE SHOWN
 LEFT SIDE SYMMETRICAL



REINFORCEMENT BACKING

RIGHT WALL SHOWN
 LEFT WALL SYMMETRICAL

BACK WALL



All dimensions are approximate. Structure measurements must be verified against the unit to ensure proper fit.