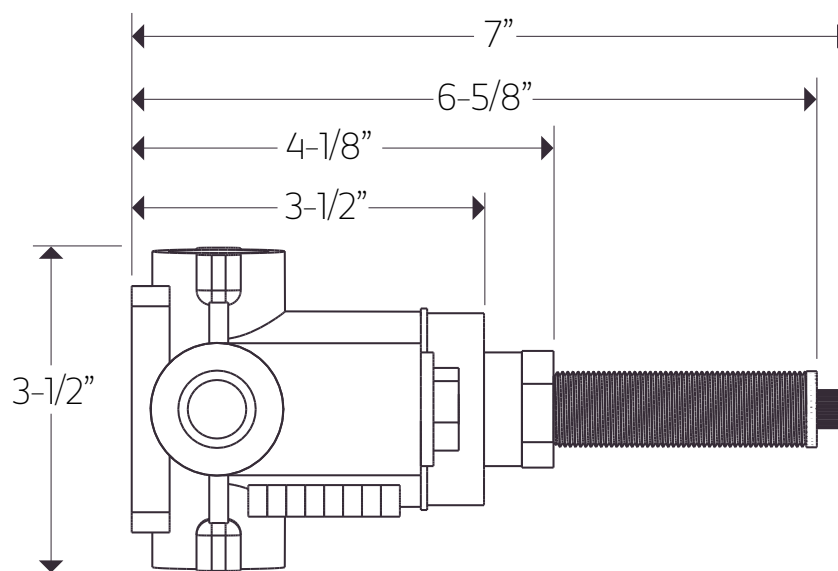
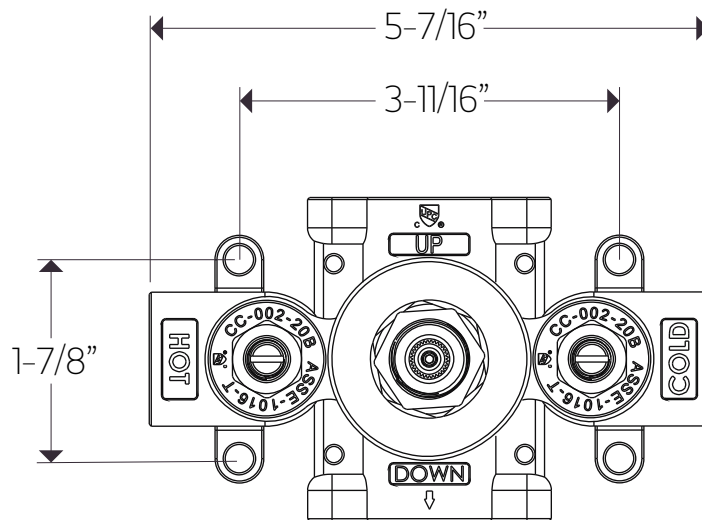


F904A-VO

TECHNICAL DATA SHEET

3/4" thermostatic valve only



artos

F904A-V0

3/4" thermostatic valve only

OPERATING SPECIFICATIONS



MIXED WATER TEMPERATURE

Maximum: 120°F

HOT WATER SUPPLY TEMPERATURE

Maximum: 185°F

Minimum: 50°F

Advisable: 150°F- 160°F

Minimum difference between hot mixed temperature 50°F

OPERATING PRESSURE

Maximum: 125psi

Minimum: 20psi

Recommended: 30psi- 95psi

Operating pressures (on hot and cold lines) should be kept as balanced as possible, in order to assure the maximum efficiency.

STANDARDS

ASSE 1016.ASME A112.18.1/CSA B123.1 Certified

FLOW RATE

16 gpm

CODES

CUPC Approved