

DREW 770 PEDESTAL LAVATORY

CAT. NO
3-910X



Faucet not included



Mounting hardware

W: 30- $\frac{1}{4}$ "
D: 21- $\frac{1}{8}$ "
H: 35- $\frac{1}{4}$ "

Column: 27- $\frac{1}{8}$ " x 12- $\frac{1}{4}$ " x 11- $\frac{3}{4}$ "

Interior Dimensions:

Basin interior:	18" x 11- $\frac{3}{4}$ "
Basin depth:	6- $\frac{1}{4}$ "
Faucet and spout holes:	1- $\frac{1}{2}$ "
Back of basin to center of faucet:	3- $\frac{1}{4}$ "
Back of basin to center of drain:	8- $\frac{1}{2}$ "
Mount bolts height:	30- $\frac{7}{8}$ "
Mount holes cc:	6- $\frac{3}{4}$ "

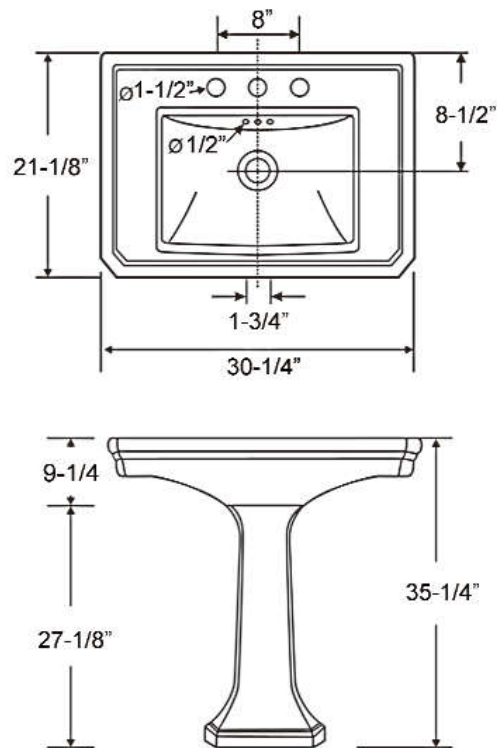
Features:

- ▶ Made of Vitreous China
- ▶ Available pre-drilled for single hole (3-9101), 4" centerset (3-9104), or 8" widespread faucet (3-9108)
- ▶ Overflow
- ▶ Mounting hardware included
- ▶ Back of column is open
- ▶ cUPC approved



Colors:
WH White

Meets or exceeds the following specifications: ASME A112.19.2 2013 and CSA B45.1-13 for ceramic plumbing fixtures.



Dimensions of fixture are nominal and may vary within the range of tolerances established by ASME Standard A112.19.2. Dimensions and specifications subject to change without notice.