

**SERIES 600
WALL HUNG
BASIN, LARGE**

Cat. No
4-22X



Faucet not included



Mounting hardware

W: 20-1/2"
D: 16-3/4"
H: 7-1/4"

Interior Dimensions:

Basin Interior: 18-3/8" x 11"
Basin Depth: 5-5/8"
Back of basin to center of faucet: 2-3/8 "
Back of basin to center of drain: 7-1/4 "
Mount holes cc: 11"

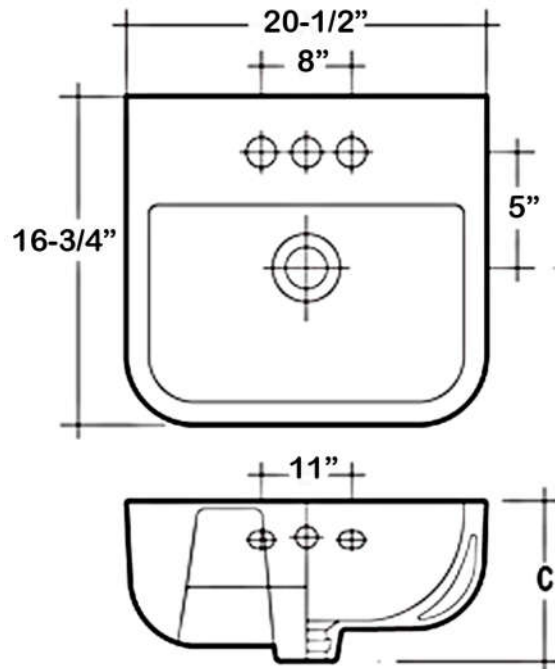
Features:

- ▶ Made of Vitreous China
- ▶ Available with 1-hole (4-221), 4" CC (4-224), and 8" widespread (4-228)
- ▶ Pre-drilled overflow hole
- ▶ Perfect for the Petite Bath
- ▶ Mounting hardware included

Colors:

WH White

Meets or exceeds the following specifications: ASME A112.19.2 2013 and CSA B45.1-13 for ceramic plumbing fixtures.



Dimensions of fixture are nominal and may vary within the range of tolerances established by ASME Standard A112.19.2-2013. Dimensions and specifications subject to change without notice.