

**LORENZO  
60" ACRYLIC  
SLIPPER TUB**

Cat. No.  
ATSN60FIG



L: 60"  
W: 27-1/2"  
H: 22-1/2" - 28-1/4" (from floor to top of tub)

Water depth: 18" to top of tub  
Water depth: 14-3/4" to overflow  
Overflow slot: 3" under tub rim

**The following is recommended for ATSN60F tubs:**

- Faucets: part #4602, #4604 or 7082
- Rigid, freestanding supplies: part #4502

Gallon Capacity with OF: 38  
Shipping Weight: 120 lbs.  
Empty Weight: 60 lbs.  
Filled Weight with OF: 378 lbs.

**Features:**

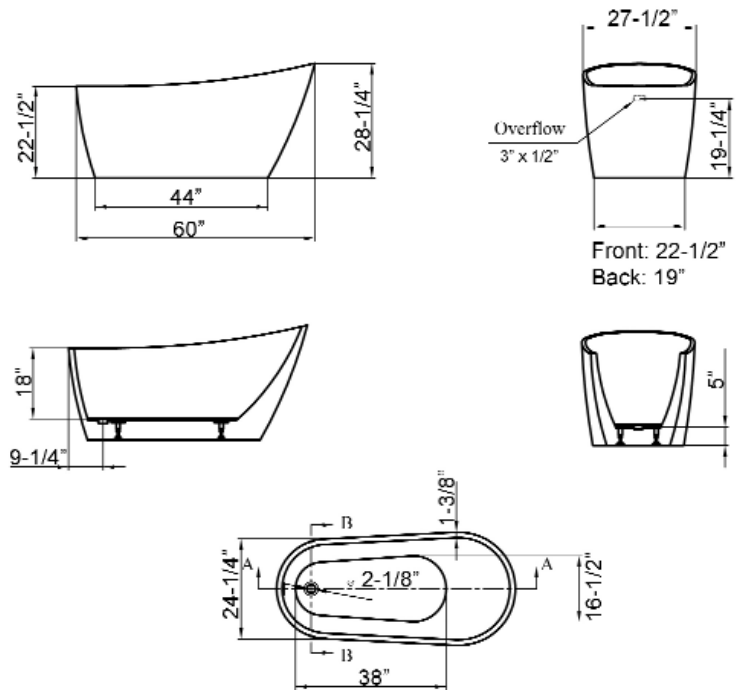
- ▶ Interior and exterior walls acrylic sheets
- ▶ Sleek contemporary design
- ▶ Overflow slot with integrated drain
- ▶ Drain and overflow covers included (available in 7 finishes)
- ▶ No faucet holes
- ▶ IAPMO certified
- ▶ Air between sheets provides insulation to retain warmth
- ▶ Option to add foam insulation between tub walls available
- ▶ Tub is thoroughly inspected before shipment



**Finishes:**

- |            |                   |           |                 |
|------------|-------------------|-----------|-----------------|
| <b>CP</b>  | Polished Chrome   | <b>PB</b> | Polished Brass  |
| <b>BN</b>  | Brushed Nickel    | <b>PN</b> | Polished Nickel |
| <b>ORB</b> | Oil Rubbed Bronze | <b>MB</b> | Matte Black     |
| <b>WT</b>  | White             |           |                 |

**Custom Colors Available** (inside of tub is always white enamel):  
Painted bathtubs are considered "special order" and are not returnable  
\$160 Bisque or Black \$250 Designer Color



Dimensions of fixture are nominal and specifications subject to change without notice.