

**GAVIN
54" CAST IRON
SLIPPER TUB**

Cat. No.
CTSN54I



L: 54-1/4"
W: 30-1/8"
H: 23" - 29-3/8" (from floor to top of tub)

Water depth: 17-1/4" to top of tub
Water depth: 13" to overflow

The following is recommended for CTSN54I tubs:

- Faucet: part #4602, 4604 or 7082
- Rigid, freestanding supplies: part #4502
- Leg tub drain: part #5599

| | |
|------------------|----------|
| Gallon Capacity: | 29 |
| Shipping Weight: | 385 lbs. |
| Empty Weight: | 275 lbs. |
| Filled Weight: | 517 lbs. |

Features:

- ▶ Inside finish is white porcelain enamel
- ▶ Cast Iron imperial feet available in 6 finishes
- ▶ Tub exterior is white (epoxy)
- ▶ No faucet holes
- ▶ Continuous rolled rim
- ▶ Pre-drilled overflow hole
- ▶ Tub is thoroughly inspected before shipment

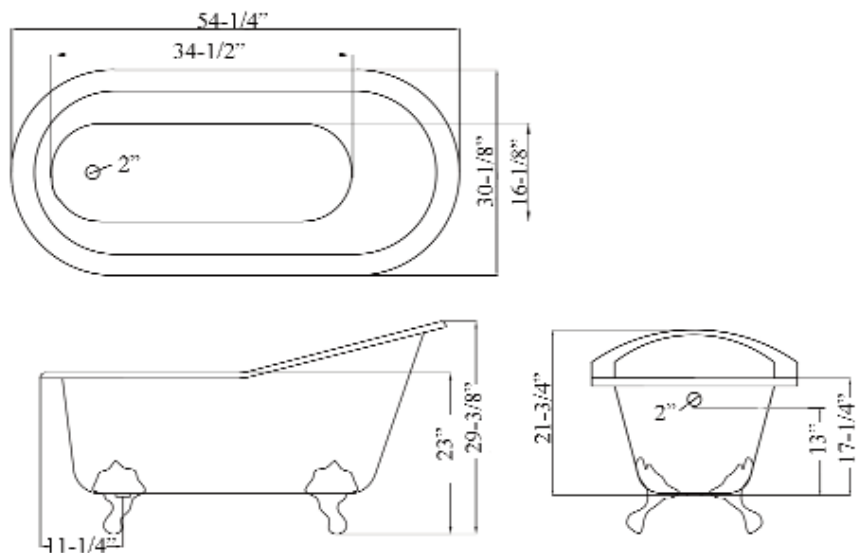
Foot Finishes:

PB Polished Brass
SN Brushed Nickel
CP Polished Chrome



WH White
PN Polished Nickel
ORB Oil-Rubbed Bronze

Custom Colors Available (inside of tub is always white enamel):
Painted bathtubs are considered "special order" and are not returnable
\$160 Bisque or Black \$250 Designer Color



Dimensions of fixture are nominal and may vary within the range of tolerances established by ANSI Standard A112.19.2. Dimensions and specifications subject to change without notice.