



California Faucets®

HANDSHOWER

2-1/16" TRADITIONAL

Features

- 1/2" MIP inlet
- Brass construction
- Smooth brass handle insert
- Self-cleaning rubber jets
- 2-1/16" diameter, black face
- Replace .FR with desired max flow rate:
 HS-15S.25 for 2.5 gpm
 HS-15S.20 for 2.0 gpm
 HS-15S.18 for 1.8 gpm
- Over 28 finishes including 13 PVD finishes

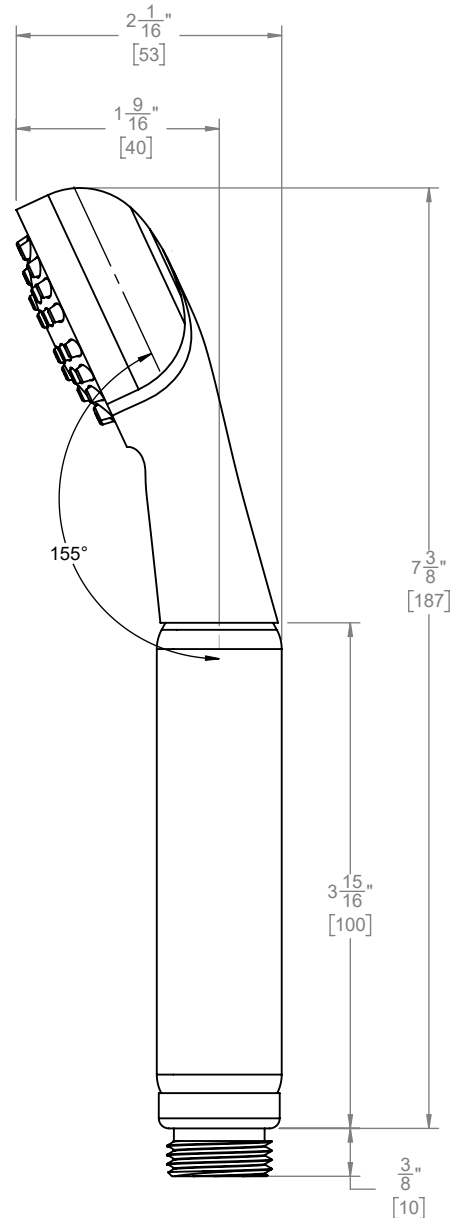
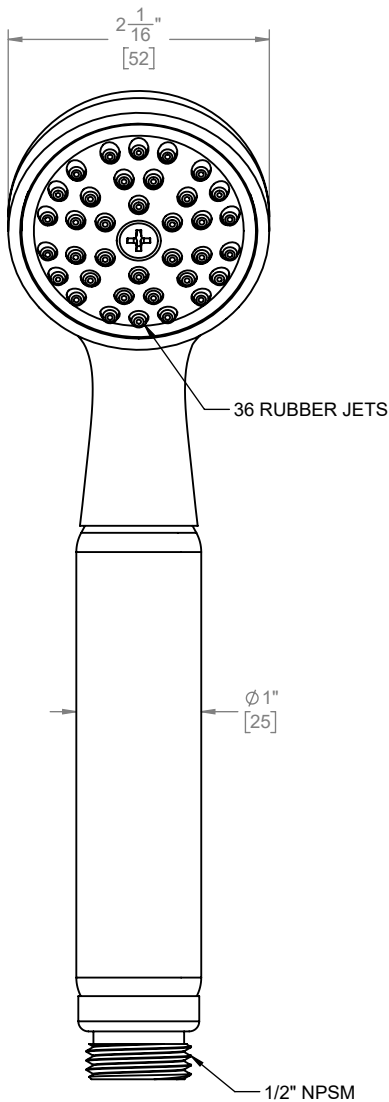
Codes/Standards Applicable

Product meets or exceeds the following:

- ASME A112.18.1/CSA B125.1
- CEC (1.8 gpm)
- DOE (1.8, 2.0, & 2.5 gpm)
- Commonwealth of MA
- EPA WaterSense (2.0 gpm)



HS-15S.25
 HS-15S.20
 HS-15S.18



SPECIFICATIONS SUBJECT TO CHANGE WITHOUT NOTICE

ALL DIMENSIONS SHOWN TO NEAREST 1/16"
[ALL DIMENSIONS SHOWN TO NEAREST 1MM]