

California Faucets®

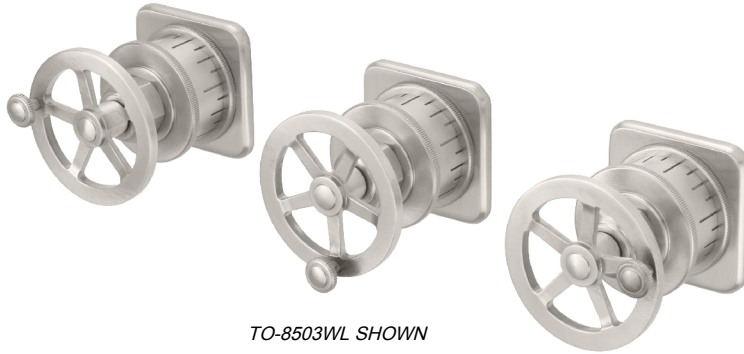
# Steampunk Bay™

3 HANDLE TUB OR SHOWER TRIM

## Features

- Less head, arm, flange, and spout
- Requires rough-in (3-VR) sold separately
- All brass construction
- Over 30 finishes including 15 PVD finishes

TO-8503L  
TO-8503WL  
TO-8503BL

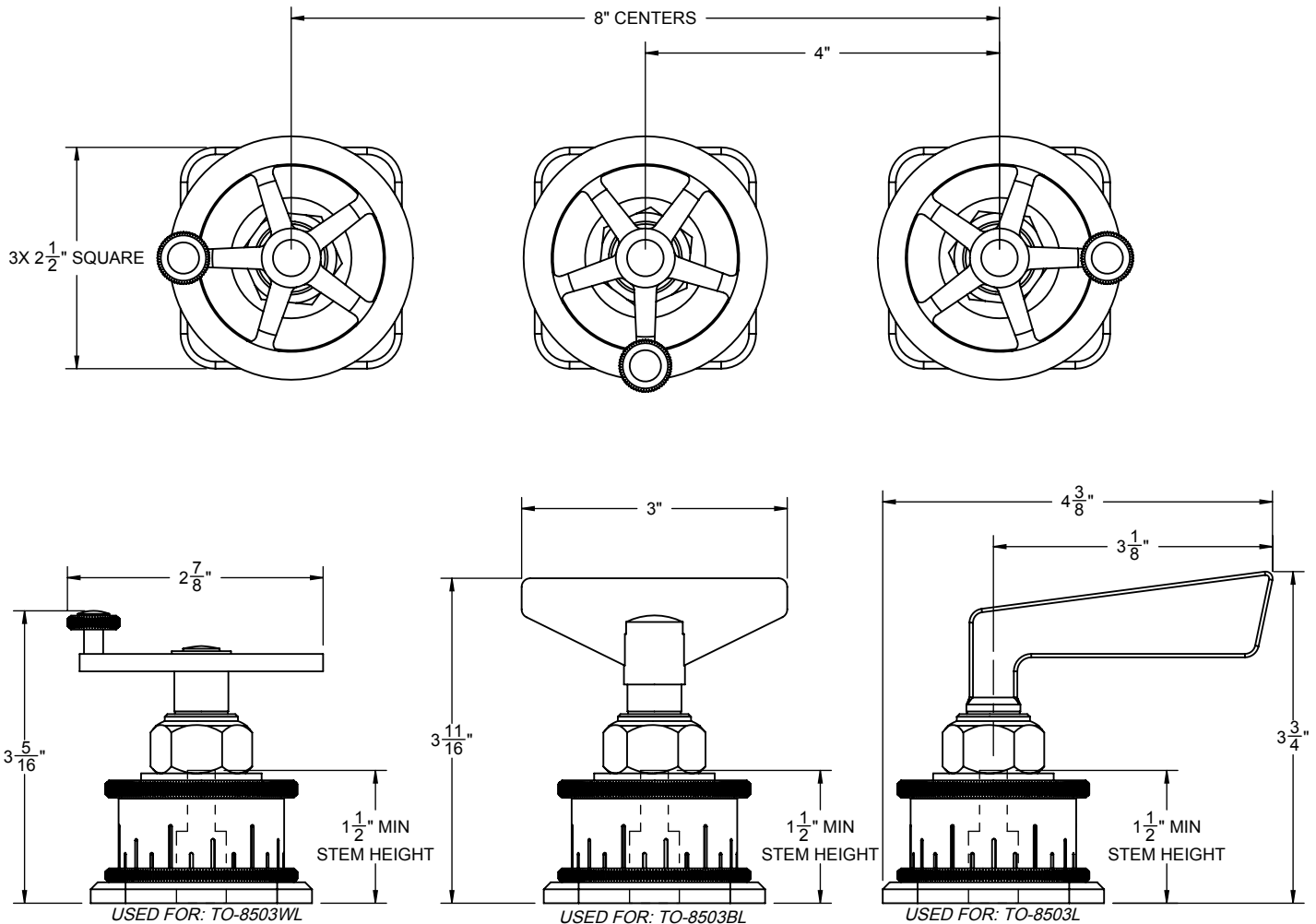


TO-8503WL SHOWN

## Codes/Standards Applicable

Product meets or exceeds the following:

- ASME A112.18.1/CSA B125.1
- ADA compliant (with lever handles)



### THROUGH-HOLE SPECIFICATIONS

MIN	RECOMMENDED	MAX
Ø 1-1/4"	Ø 1-3/8"	Ø 1-1/2"