

California Faucets®

Del Mar™

WALL LAVATORY

Features

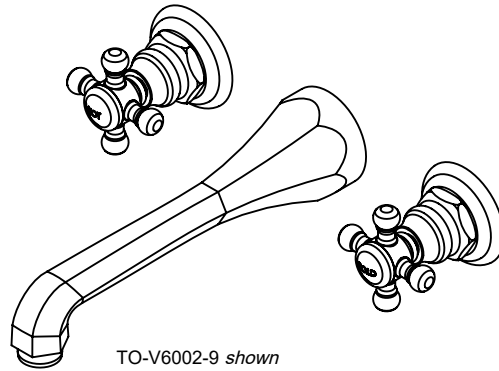
- Available in 28 finishes including 13 PVD finishes
- All brass construction
- 1/4 turn ceramic disc cartridge(s)
- 1.2 gpm (4.5 L/min) max flow rate
- Rough valve (VL-R) sold separately

Codes/Standards

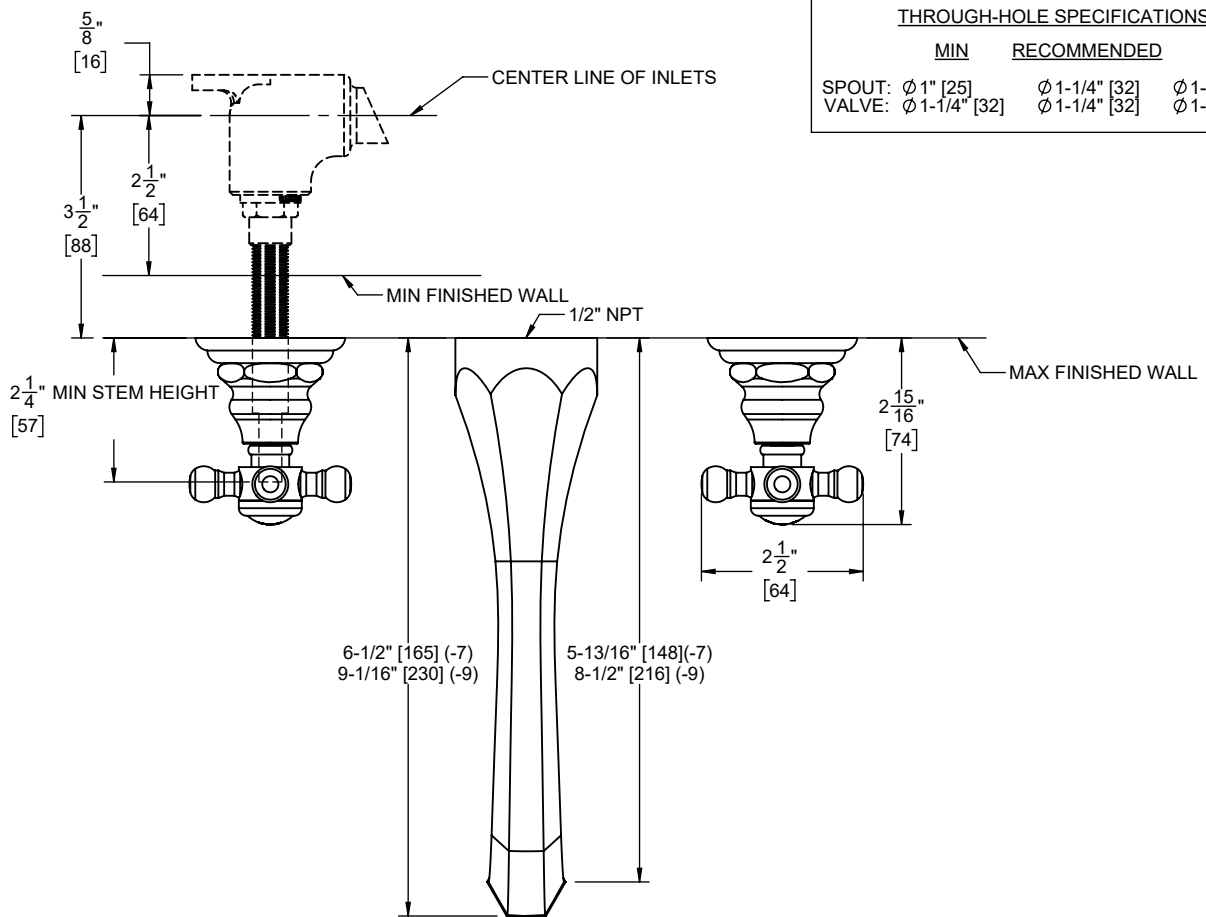
Product meets or exceeds the following:

- ASME A112.18.1/CSA B125.1
- NSF/ANSI 61 & NSF/ANSI 372
- CEC & DOE
- Commonwealth of MA
- EPA WaterSense High Efficiency Lavatory

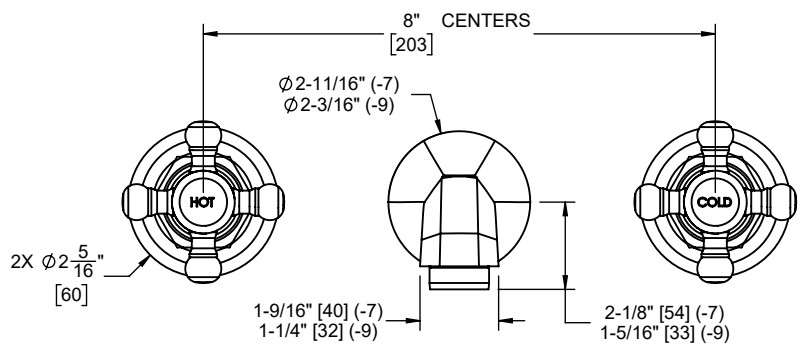
TO-V6002-7/9



TO-V6002-9 shown



THROUGH-HOLE SPECIFICATIONS			
	MIN	RECOMMENDED	MAX
SPOUT: \varnothing 1" [25]	\varnothing 1-1/4" [32]	\varnothing 1-5/8" [41]	\varnothing 1-9/16" [40]
VALVE: \varnothing 1-1/4" [32]	\varnothing 1-1/4" [32]	\varnothing 1-1/4" [32]	\varnothing 1-9/16" [40]



SPECIFICATIONS SUBJECT TO CHANGE WITHOUT NOTICE

DIMENSIONS SHOWN TO NEAREST 1/16" [DIMENSIONS SHOWN TO NEAREST 1mm]