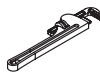


Central Brass Company, Inc.

3325 S. Garfield Ave.
Commerce, CA 90040
(800) 321-8630
www.centralbrass.com

INSTALLATION

Tools:



Pipe Wrench



Teflon Tape



Rags

Model Number: 0334-1/2, 0335-1/2

Warnings and Notes:

Check with local plumbing code requirements before installation.

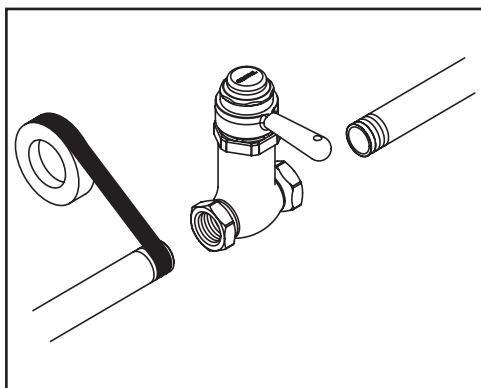
This product should be installed by a local listed plumber.

Do not use plumbers putty on threads.

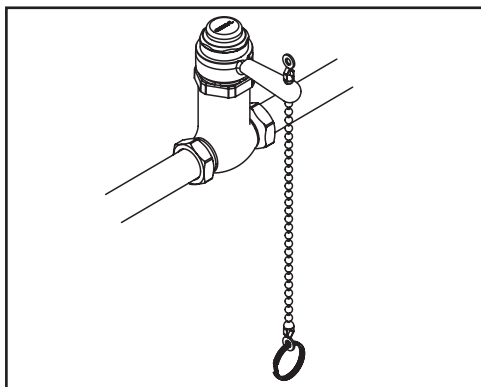


Installation Steps:

Self-Close Show Straight Stop



(1) Check the marking for inlet on the straight stop. Apply Teflon tape on the thread end of inlet and outlet pipe. Thread and tighten the inlet pipe to the inlet port and the outlet pipe to the outlet port of the straight stop with the help of a pipe wrench.



(2) Attach chain & ring to lever handle for model 0335-1/2