

## Model# 0047-TA3

### Two Handle Wallmount Kitchen Faucet

#### FEATURES & SPECIFICATIONS

- Canopy Handles
- 12" Tube Swivel Spout
- 1/2-14 NPT Male Thread
- Replaceable Seats
- 2-Hole 7-7/8" to 8-1/8" Installation
- 1.5 GPM Flow Rate
- 1.5 GPM Flow Rate

#### FINISHES

- PC Polished Chrome

#### STANDARDS

- ASME A112.18.1
- ANSI / NSF 61, SECTION 9
- CUPC / IAPMO LISTED
- ANSI A117.1 / ADA COMPLIANT
- CONTAINS NO MORE THAN 0.25% WEIGHTED AVERAGE LEAD CONTENT



#### FLOW

- 1.5 GPM Flow Rate

#### WARRANTY

- Lifetime Limited Warranty
- Lifetime Residential Warranty
- 5 Year Commercial Warranty

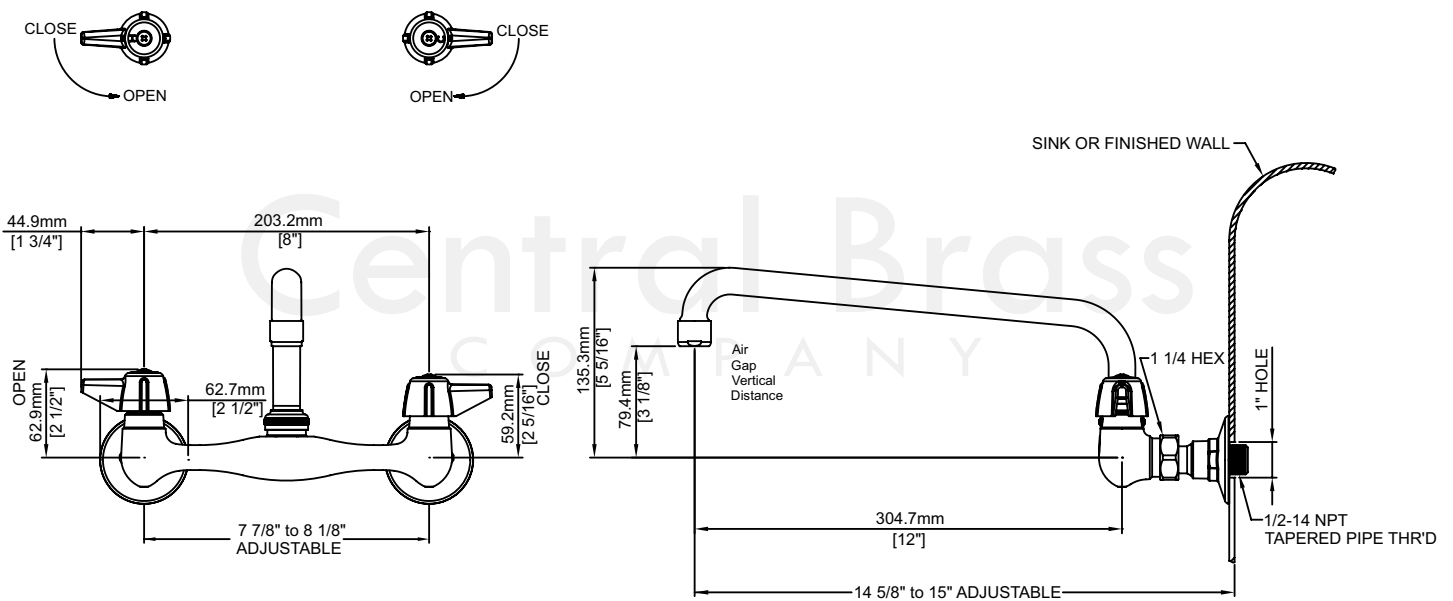
Job Name \_\_\_\_\_ Date \_\_\_\_\_  
Model Specified \_\_\_\_\_ QTY \_\_\_\_\_  
Customer/Wholesaler \_\_\_\_\_  
Contractor \_\_\_\_\_  
Architect/Engineer \_\_\_\_\_  
Submitted as Shown \_\_\_\_\_  
Submitted w/ Variations \_\_\_\_\_

0047-TA3/REV. 11 2016

Product Specifications subject to change without notice

## Model# 0047-TA3

### Two Handle Wallmount Kitchen Faucet



0047-TA3/REV. 11 2016

Product Specifications subject to change without notice