

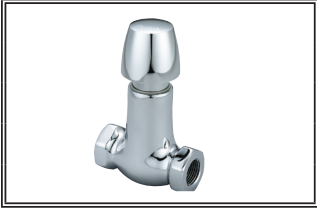
# Central Brass

COMPANY

## SPECIFICATION SHEET

Date: \_\_\_\_\_

### SLOW-CLOSE STRAIGHT STOP



**Model #:** \_\_\_\_\_  
**Specific Features:** \_\_\_\_\_  
**Project Name:** \_\_\_\_\_  
**Submitted For:** \_\_\_\_\_  
**Date:** \_\_\_\_\_

- Slow-Close Straight Stop
- Push Handle
- 3/8-18 NPS Female Thread

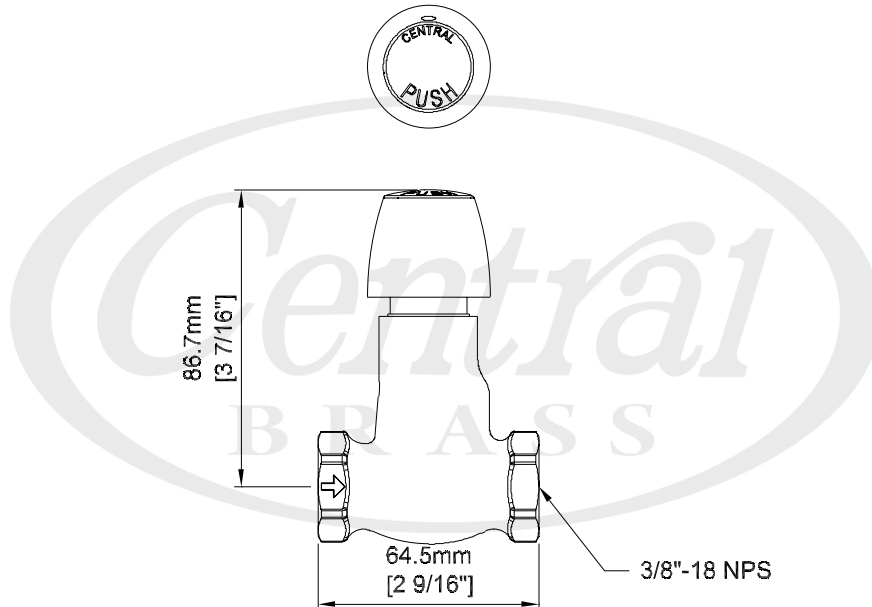
# 0336-N2-3/8  
SHOWN



Model #	Features	Finish	
0336-N2-3/8		PVD PC	

Central Brass products are engineered and manufactured to meet the following standards and codes:

ASME A112.18.1M  
ANSI A117.1



Brecksville, OH  
www.centralbrass.com  
Central Brass Company © 2011