

## Model# 0355-AVN2C

### Slow-Close Single Handle Basin Faucet

#### FEATURES & SPECIFICATIONS

- Push Handle
- 1/2-14 NPS Male Inlet x 2-1/4" Long
- 1-Hole Installation

#### FINISHES

- PC Polished Chrome

#### STANDARDS

- ASME A112.18.1
- ANSI / NSF 61, SECTION 9
- CUPC / IAPMO LISTED
- ANSI A117.1 / ADA COMPLIANT
- CONTAINS NO MORE THAN 0.25% WEIGHTED AVERAGE LEAD CONTENT



#### FLOW

- Vandal Resistant 0.5 GPM Flow Rate Aerator
- Adjustable Run Time from 2 Seconds to 35 Seconds, 0.30 Max Gallon/Cycle

#### WARRANTY

- Lifetime Limited Warranty
- Lifetime Residential Warranty
- 5 Year Commercial Warranty

Job Name \_\_\_\_\_ Date \_\_\_\_\_

Model Specified \_\_\_\_\_ QTY \_\_\_\_\_

Customer/Wholesaler \_\_\_\_\_

Contractor \_\_\_\_\_

Architect/Engineer \_\_\_\_\_

Submitted as Shown \_\_\_\_\_

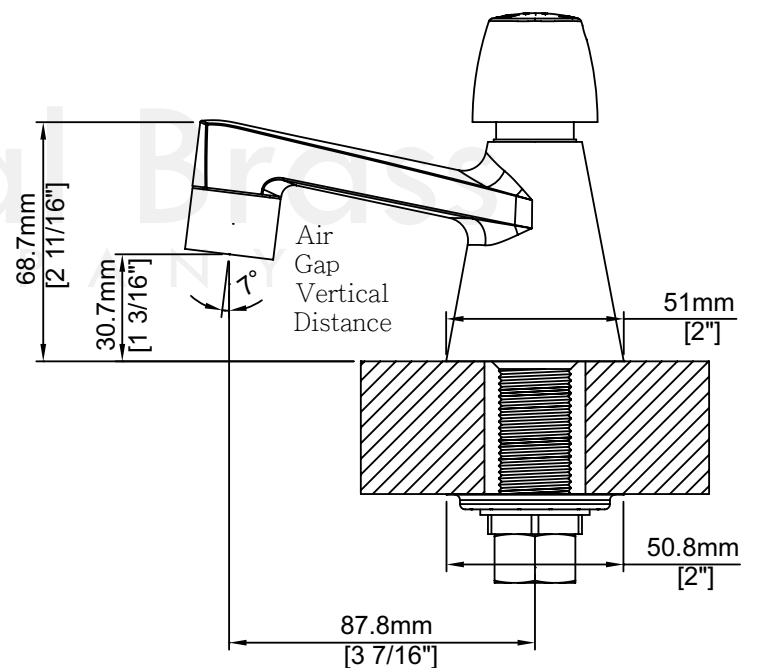
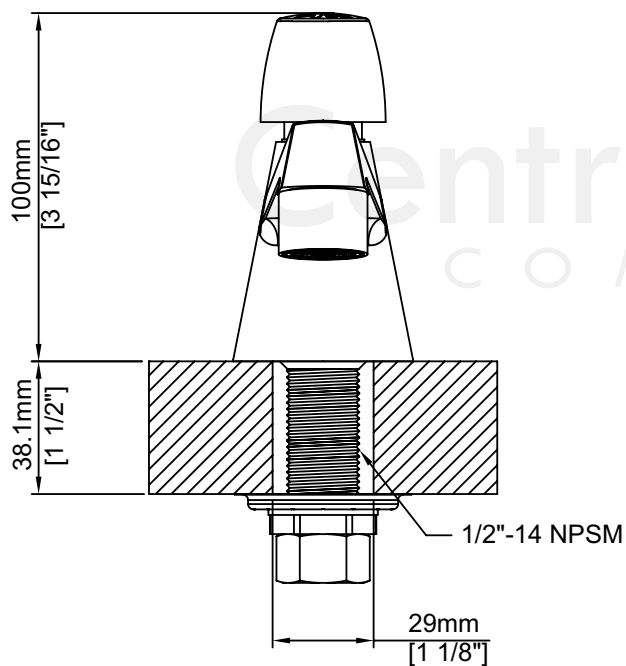
Submitted w/ Variations \_\_\_\_\_

0355-AVN2C/REV. 03 2018

Product Specifications subject to change without notice

## Model# 0355-AVN2C

### Slow-Close Single Handle Basin Faucet



0355-AVN2C/REV. 03 2018

Product Specifications subject to change without notice