

Model# 80050-U-I

Two Handle Wallmount Service Sink Faucet



FEATURES & SPECIFICATIONS

- Canopy Handles With Color Coded Indexes
- 2-1/2" Rigid Spout With Pail Hook, Hose Thread
- 1/2-14 NPS Female Thread
- Ceramic Disc Cartridges, Built-in Stops
- 2-Hole 7-7/8" to 8-1/8" Installation
- Vacuum Breaker

FINISHES

- PC Polished Chrome

STANDARDS

- ASME A112.18.1
- ANSI A117.1 / ADA COMPLIANT



WARRANTY

- Lifetime Limited Warranty
- Lifetime Residential Warranty
- 5 Year Commercial Warranty

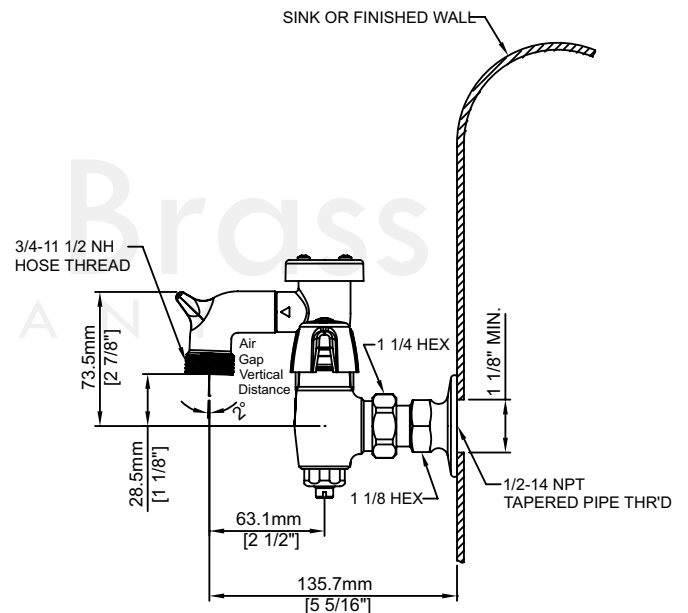
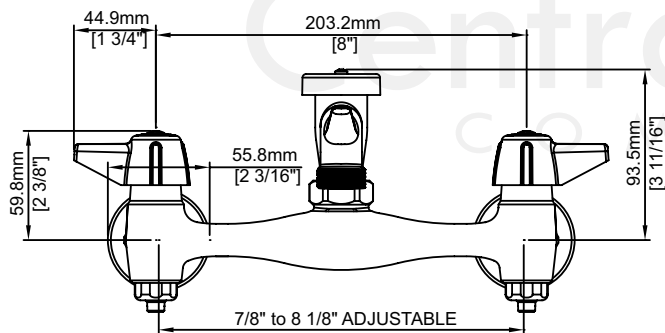
80050-U-I/REV. 11 2016

Product Specifications subject to change without notice

Job Name _____ Date _____
Model Specified _____ QTY _____
Customer/Wholesaler _____
Contractor _____
Architect/Engineer _____
Submitted as Shown _____
Submitted w/ Variations _____

Model# 80050-U-I

Two Handle Wallmount Service Sink Faucet



80050-U-I/REV. 11 2016

Product Specifications subject to change without notice