

# CRYST RAMA



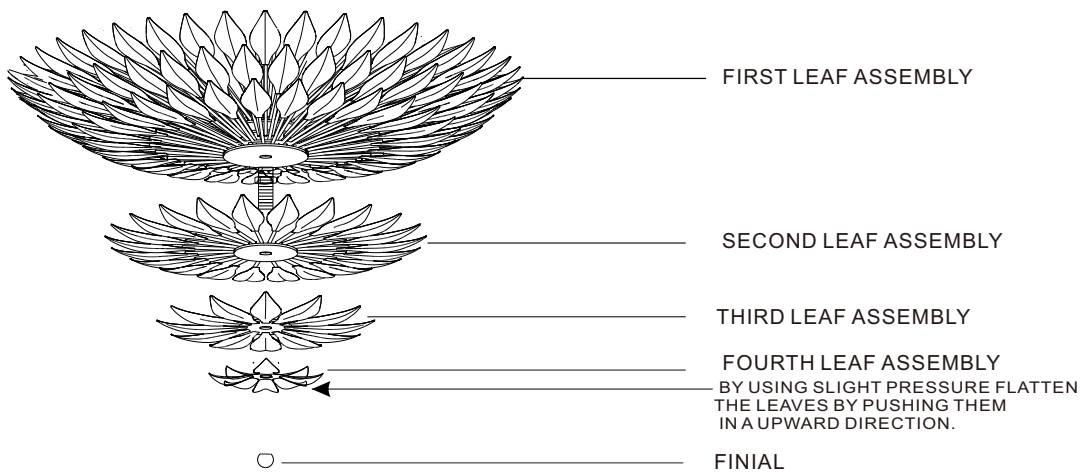
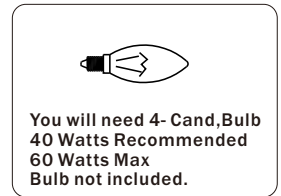
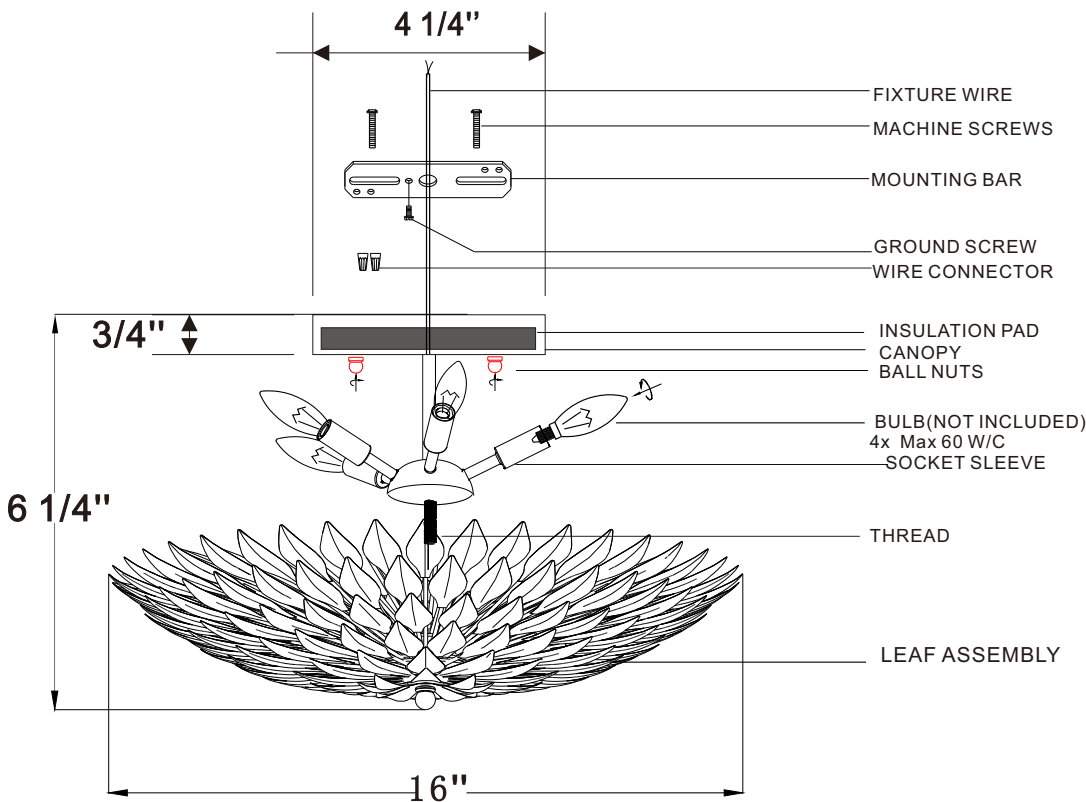
1958

95 Cantiague Rock Road, Westbury NY 11590  
 ph: 516.931.9090 fax: 516.931.1254  
 info@crystorama.com www.crystorama.com

## MODEL#: 505-SA ASSEMBLY AND DRESSING INSTRUCTIONS



**WARNING:**  
 All electrical components must be installed by a licensed electrician in accordance with the National Electric Code and the appropriate local electrical codes.



NOTICE: FOR REPLACING THE BULB, PLEASE UNSCREW THE LEAF ASSEMBLY AS SHOWN ABOVE

2014/12