

CRYSTORAMA

LIGHTING THE WAY FOR SIXTY YEARS

ASSEMBLY INSTRUCTION MODEL #BEL-A8069-GE

WARNING:

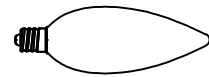


Electrical Danger



Turn Power Off

All electrical components must be installed by a licensed electrician in accordance with the National Electric Code and the appropriate local electrical codes.



You will need 3-Cand.BULB
60 watts Max Bulb not included
USE LED BULBS FOR EXTENDED USE

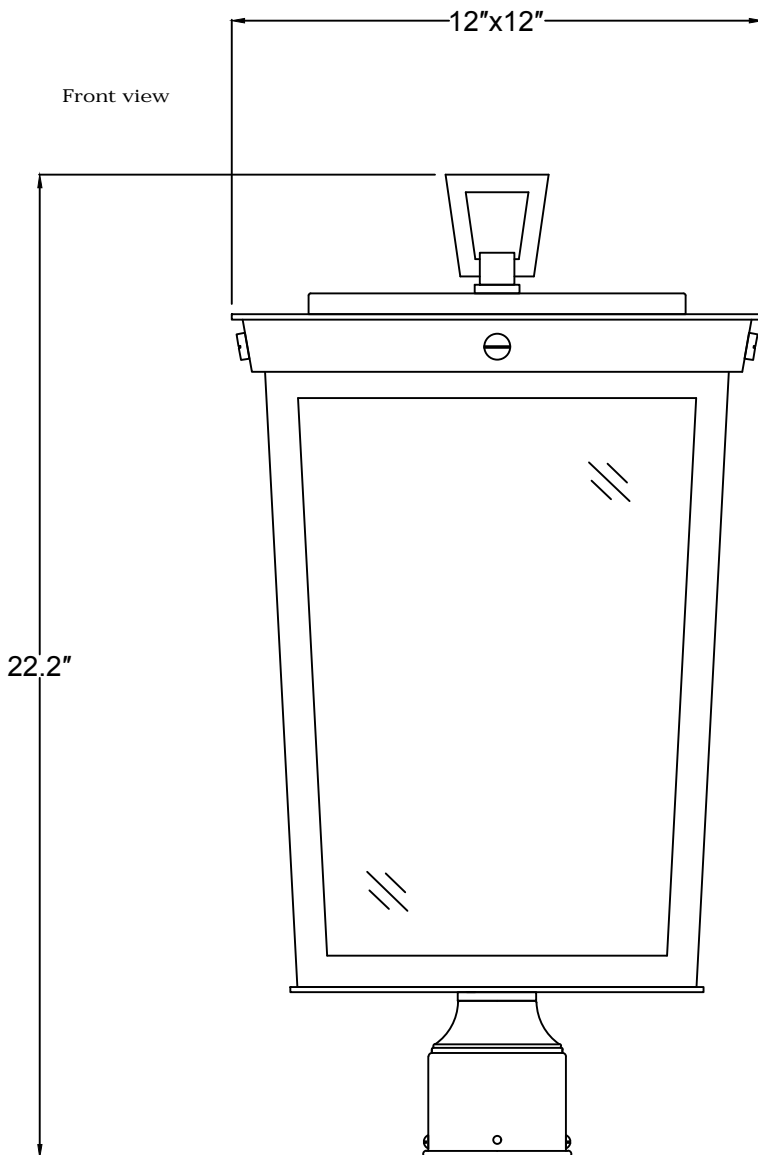
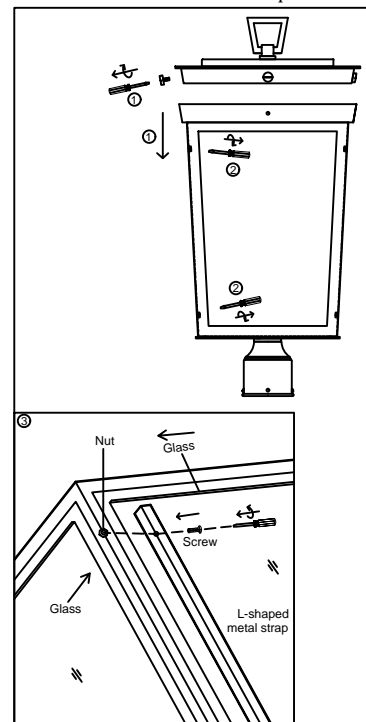
How to Install


1. Place the fixture over the post and mark 3 points on the post at the center of holes on the post fitter.
2. Drill the holes at the marked points.
3. Make wiring connections, then place fixture base over the post and secure down by tightening with side screws

How to change glass

1. Take the bottom cage down by removing the cap nuts.
2. Remove the L-shaped metal strap by unscrewing the screws.
3. If necessary, smooth out the silicone glue along the glass channel, prior to placing in the new glass panel.
4. Put the new glass panel on and secure it with the L-shaped metal strap and screws.

Sketch Map



 **WARNING:** This product can expose you to Lead, which is known to the State of California to cause cancer and/or birth defects or reproductive harm. For more information go to www.P65Warnings.ca.gov

CRYSTORAMA

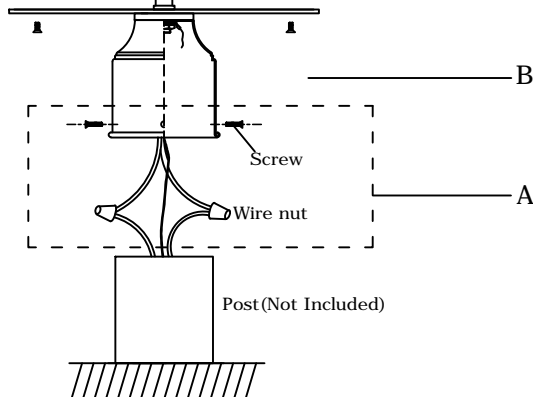
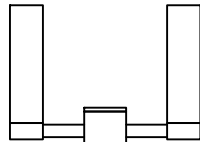
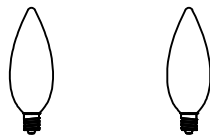
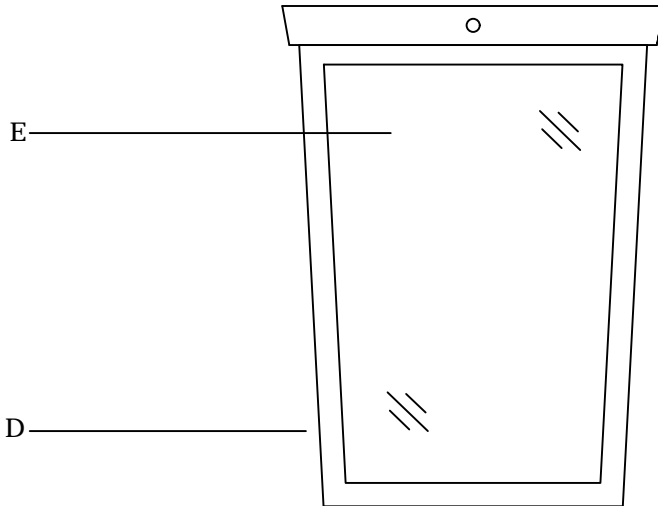
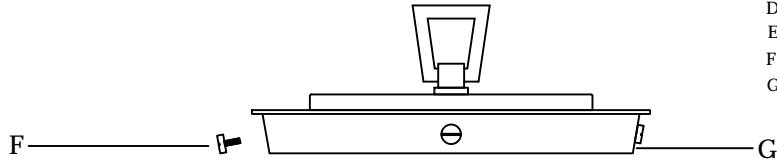
LIGHTING THE WAY FOR SIXTY YEARS

PART NUMBER MODEL #BEL-A8069-GE

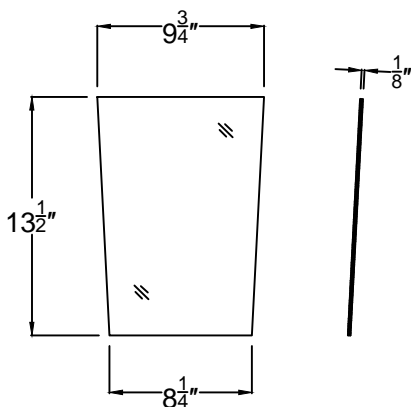
Part Number

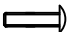

Part Numbers

- A. Mounting Hardware
 - (3) Screw
 - (3) Wire Nut
- B. (1) Base; Ø3.4"x3.5"H
- C. (3) Socket
- D. (1) Bottom cage; XMO8063GEGLAFRAME
- E. (4) Glass; XMO8063GLA13.5IN
- F. (4) Cap nut
- G. (1) Top cover



E-Size



	
x3	x3
Screw	Wire Nut