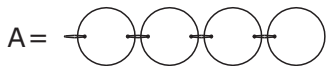
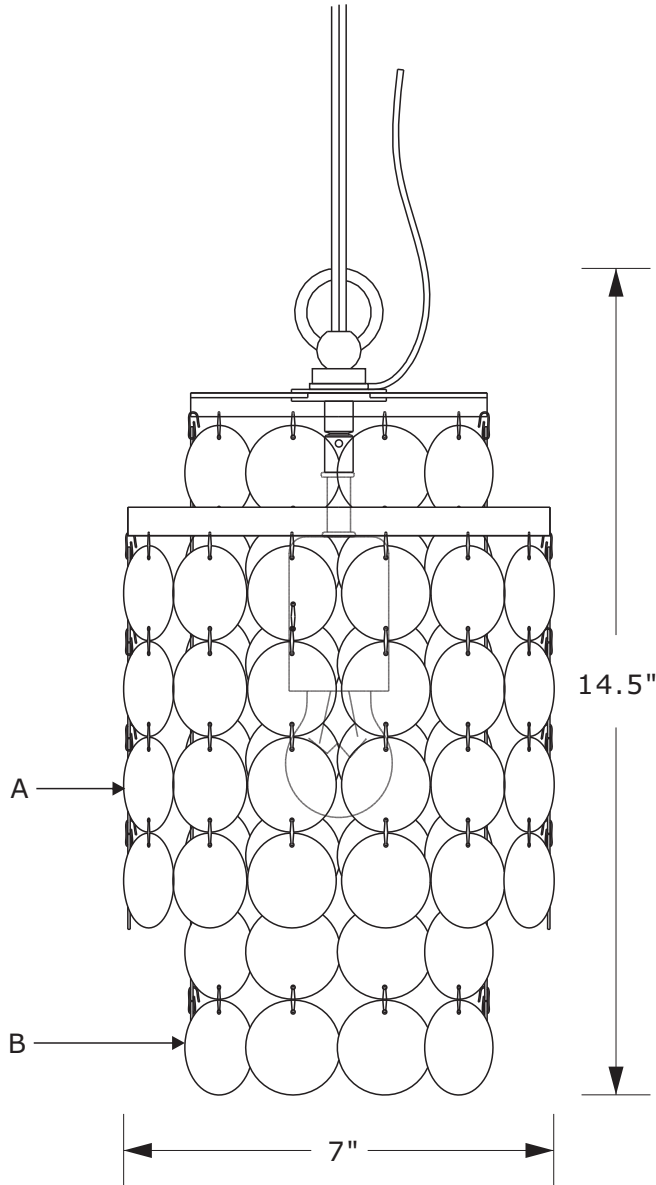


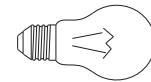
# CRYSTORAMA

LIGHTING THE WAY FOR SIXTY YEARS

## ASSEMBLY INSTRUCTION MODEL #BRI-3000-DB



All electrical components must be installed by a licensed electrician in accordance with the National Electric Code and the appropriate local electrical codes.



You will need 1 -Medium Bulb  
60 Watts Recommended 100 Watts Max.  
USE LED BULBS FOR EXTENDED USE

### How to Install

1. Do a complete inventory of all parts and components before you start installation.
2. Install bulb (not included).
3. Dress the fixture with capiz shells "A" and "B" as illustrated.
4. Determine the preferred hanging height and adjust chain as needed.

### Capiz Shell Sets

A. 13 Sets.  
(4) 40mm

B. 9 Sets.  
(7) 40mm

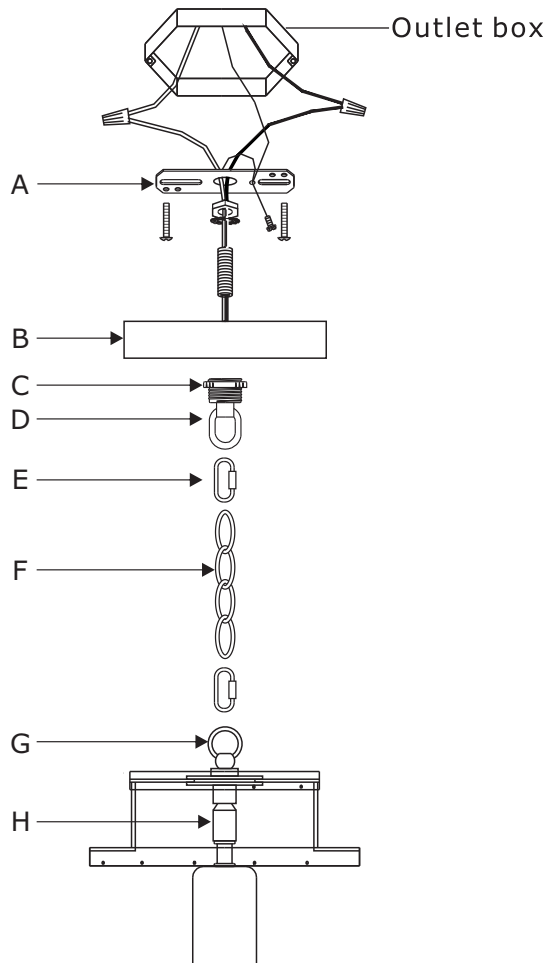
**WARNING:** This product can expose you to Lead, which is known to the State of California to cause cancer and/or birth defects or reproductive harm. For more information go to [www.P65Warnings.ca.gov](http://www.P65Warnings.ca.gov).

# CRYSTORAMA

LIGHTING THE WAY FOR SIXTY YEARS

PART NUMBER MODEL #BRI-3000-DB

## Part Number



- A. (1) - Mounting Hardware
- B. (1) - Canopy(W4.5", H1") #XRE3000DBCAN4.5IN
- C. (1) - Collar Ring
- D. (1) - Collar Loop
- E. (2) - Quick Link
- F. (1) - Hanging Chain(72", 3.2mm) #XRE3000DBCHA3.2MM
- G. (1) - Fixture Loop
- H. (1) - Swivel