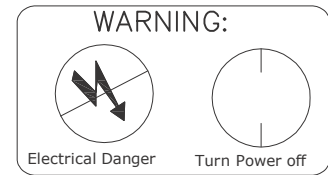


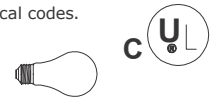
CRYSTORAMA

LIGHTING THE WAY FOR SIXTY YEARS

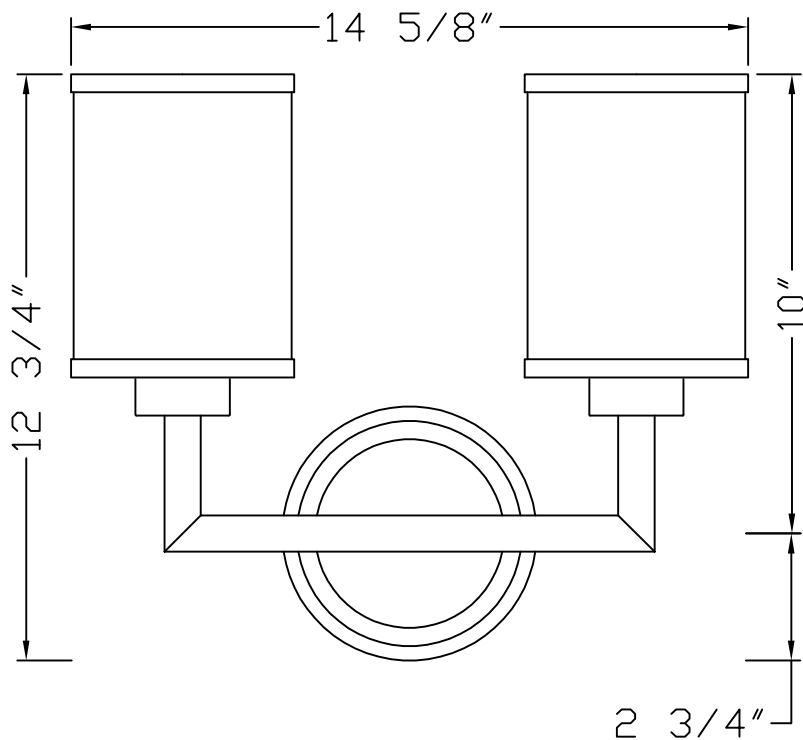
ASSEMBLY INSTRUCTION MODEL# BRY-8002-BF



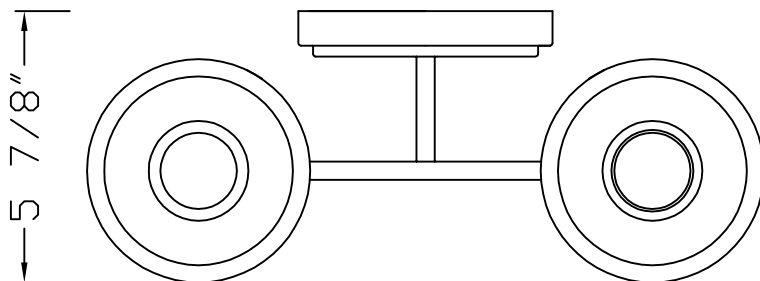
All electrical components must be installed by a licensed electrician in accordance with the National Electric Code and the appropriate local electrical codes.



You will need 2- Medium Base Bulb
60 Watts Recommended 100 Watts Max.
Frosted bulb is recommended!!
USE LED BULBS FOR EXTENDED USE
THE FIXTURE IS DAMP RATED



FRONT VIEW



TOP VIEW

How to install

1. Install the mounting plate to the outlet box using two outlet box screws.
2. Install backplate onto the mounting plate, and secure with the screws.
3. Install the glass shade onto the socket cover and secure with socket ring.
4. Install the bulb(not included) into the socket.
5. Put the banding ring over the top of glass shade.

CRYSTORAMA

LIGHTING THE WAY FOR SIXTY YEARS

ASSEMBLY INSTRUCTION MODEL# BRY-8002-BF

Part Number

Part Numbers

- A. (1)-Mounting hardware
- B. (1)-Mounting plate
- C. (1)-Backplate W5-1/2"xH1"(XSU8002BKBKP5.5IN)
- D. (2)-Screw
- E. (2)-Socket ring
- F. (2)-GLASS shade 6-1/2"x4-3/4"(XSU8002BFSHA6.625IN)
- G. (2)-Banding ring

