

CRYSTORAMA

1958

95 Cantiague Rock Road, Westbury, NY 11590 • toll free: 1.800.888.4470 fax: 516.931.1254 • info@crystorama.com • www.crystorama.com

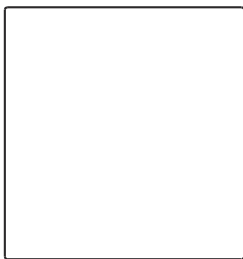
MODEL#: CLI-231-PN
ASSEMBLY AND DRESSING INSTRUCTIONS

WARNING:



Electrical Danger Turn Power off

All electrical components must be installed by a licensed electrician in accordance with the National Electric Code and the appropriate local electrical codes.



FABRIC SHADE

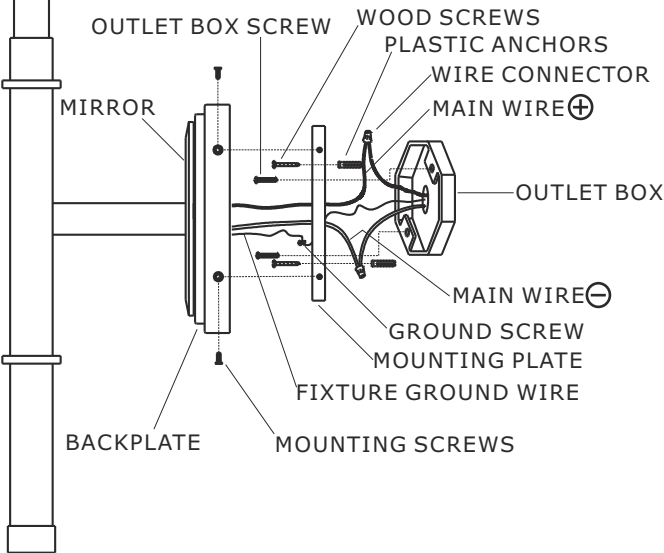


You will need 1 Candelabra bulbs 60 Watts recommended, Use LED bulbs for Extended use. Bulb not included

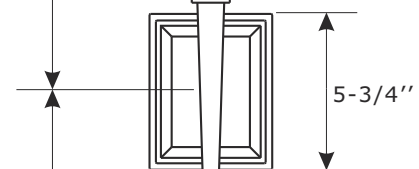
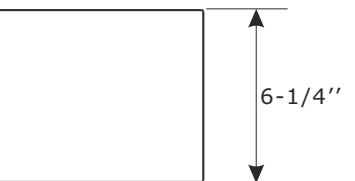
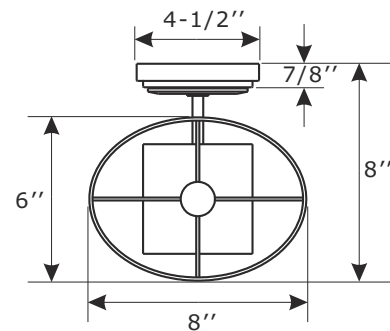
DECORATIVE GLASS (4" x 4" x H 3/8")



CANDLE SLEEVE (W 7/8" x L 2-3/8")



TOP VIEW



FRONT VIEW