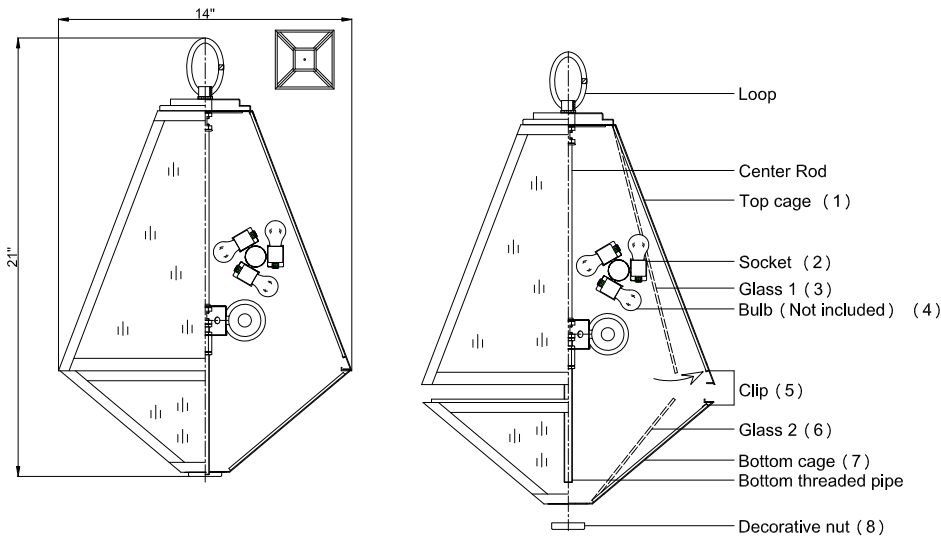


CRYSTORAMA

95 Cantiague Rock Road , Westbury, NY 11590 • toll free: 1.800.888.4470 fax: 516.931 .1254 • info@crystorama.com • www.crystorama.com

MODEL#: GLA-9705-BC ASSEMBLY INSTRUCTIONS

Drawing (1)



Assembly:

1. To install glass panels, separate the Bottom Cage (7) and the Top Cage (1), by removing the Decorative Nut (8).
2. Bend glass Clip (5) and slide Glass #1(3) into the Top Cage (1) and Glass # 2(6) into the Bottom Cage (7).
3. Bend glass Clip (5) to secure Glass # 1(3) and Glass # 2(6)
4. Install the bulb (4) to the socket (2).
5. Connect the Bottom Cage (7) and the Top Cage (1), by screwing in Decorative Nut (8) to secure cage.
6. The canopy of the fixture can now be mounted to the ceiling by following instruction **Drawing 2**.

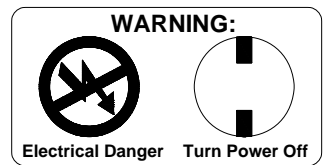
Replacement Glass installation:

- 1 .Follow instructions # 1 through # 3 above to install new glass. Complete by connecting the Bottom Cage (7) and the Top Cage (1) by screwing in Decorative Nut (8) to secure cage.

Bulb replacement:

1. Separate the Bottom Cage (7) and the Top Cage (1), by removing Decorative Nut (8).
2. Install the bulb (4) into the socket
3. Complete by connecting the Bottom Cage (7) and the Top Cage (1) by screwing in Decorative Nut (8) to secure cage.

After securing fixture to the ceiling it is recommended that the gap between the ceiling and the canopy be sealed on the top and both sides, with a good quality waterproof caulk or silicone sealant (NOT INCLUDED)



All electrical components must be installed by a licensed electrician in accordance with the National Electric Code and the appropriate local electrical codes.



You will need 3 – Med.Bulb

40 Watts Recommended

60 Watts Max

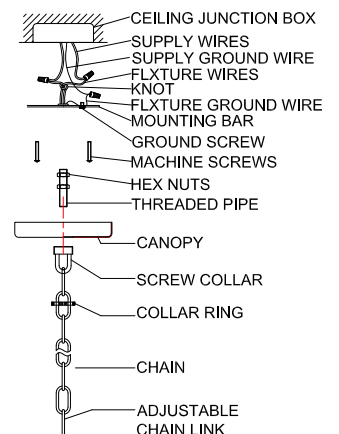
USE LED BULBS FOR EXTENDED USE

California T24 JA8-2016 Qualified: Satco

(S9612); 10.5 watt LED Medium Base

recommended. Bulb not included

Drawing (2)



2017-09-20