

CRYSTORAMA

LIGHTING THE WAY FOR SIXTY YEARS



Crystorama.com

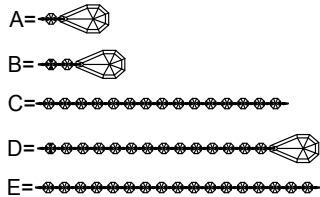
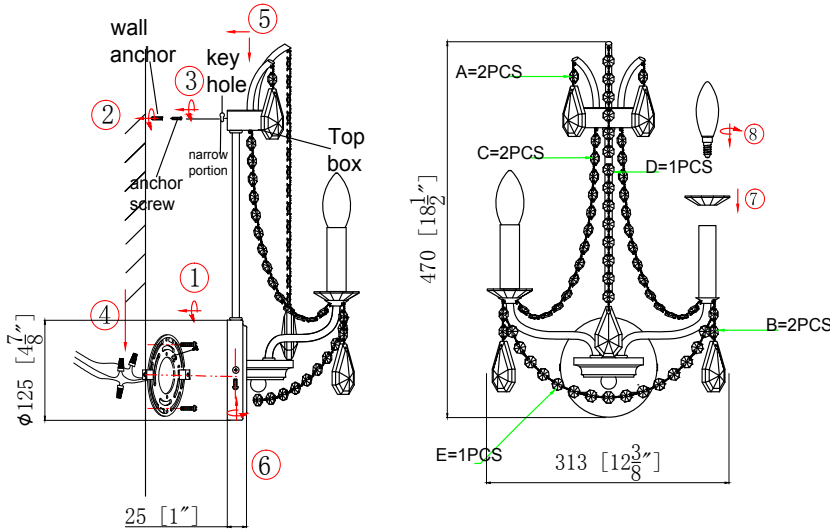
ASSEMBLY INSTRUCTION MODEL # KAR-90902-AG-CL-MWP



All electrical components must be installed by a licensed electrician in accordance with the National Electric Code and the appropriate local electrical codes.



You will need 2 Candelabra Base Bulb
60 Watts Recommended 60 Watts Max.
USE LED BULBS FOR EXTENDED USE (This fixture is Dry rated)



How to Install

1. Measure the spacing between the center of the backplate and the center of the narrow portion of the key hole on the backside of top box.
2. Mark a point on the wall with the same distance as measured above between the center of outlet box and it.
3. Drill a hole at the marked point and insert the wall anchor. Screw the anchor screw into the wall anchor using a screwdriver and leave approximately 1/8" of threads exposed.
4. Install the mounting plate onto the outlet box and connect the wires.
5. Hook the top box of the fixture onto the anchor screw. Secure the backplate onto the mounting plate using the screws.
6. Dress the crystal as illustrated.
7. Slide the bobèche over the candle sleeve.

Crstal Sets

- A. 2sets 1*14mm+1*63mm drop
- B. 2sets 2*14mm+1*63mm drop
- C. 2sets 15*14mm
- D. 1set 14*14mm+1*63mm drop
- E. 1set 17*14mm

WARNING: This product can expose you to Lead, which is known to the State of California to cause cancer and/or birth defects or reproductive harm. For more information go to www.P65Warnings.ca.gov

CRYSTORAMA

LIGHTING THE WAY FOR SIXTY YEARS



Crystorama.com

PART NUMBER MODEL KAR-90902-AG-CL-MWP

Part Number

Part Numbers

- A. (1)-Mounting Hardware
- B. (3)-Scroll arms, L2"
- C. (2)-Candle Sleeve, L3 1/2"
(XBN90902AGCDL3.5IN)
- D. (1)-Center stem, L9 3/4"
- E. (2)-Lamp arms, L8"
- F. (1)-Backplate, D4 7/8" X H1"
(XBN90902AGBACKP4.875IN)
- G. (1)-Final
- H. (2)-Crystal Bobeche, D 2 3/8"
(XBN90902BOB2.375IN)

