

CRYSTORAMA

LIGHTING THE WAY FOR SIXTY YEARS

ASSEMBLY INSTRUCTION MODEL #QUN-1500-MK-TG

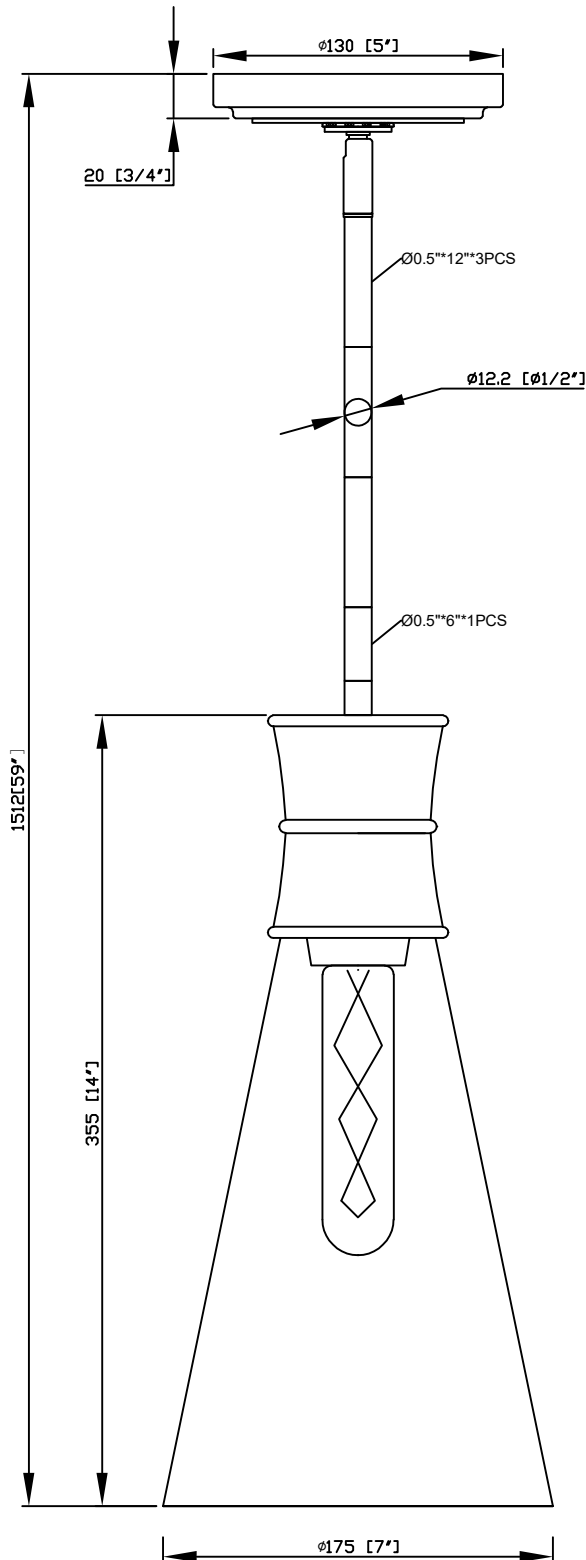


All electrical components must be installed by a licensed electrician in accordance with the National Electric Code and the appropriate local electrical codes.



You will need -1 Med.Type T Bulb
40 Watts Recommended 60 Watts Max
USE LED BULBS FOR EXTENDED USE

THIS FIXTURE IS DAMP RATED



How to Install

1. Decide the preferred hanging height and choose the correct length of rods needed.
2. Feed the wire through the rods, collar loop ring, canopy and swivel kit. Screw the rods together. Screw one end of rod assembly onto the frame and the other end onto the swivel kit.
3. Raise the fixture up to the ceiling and install the mounting bar onto the outlet box. After the wire connections are made, raise the canopy up to the ceiling and secure with the collar loop ring.
4. Place the glass shade over the socket and secure with the socket ring.

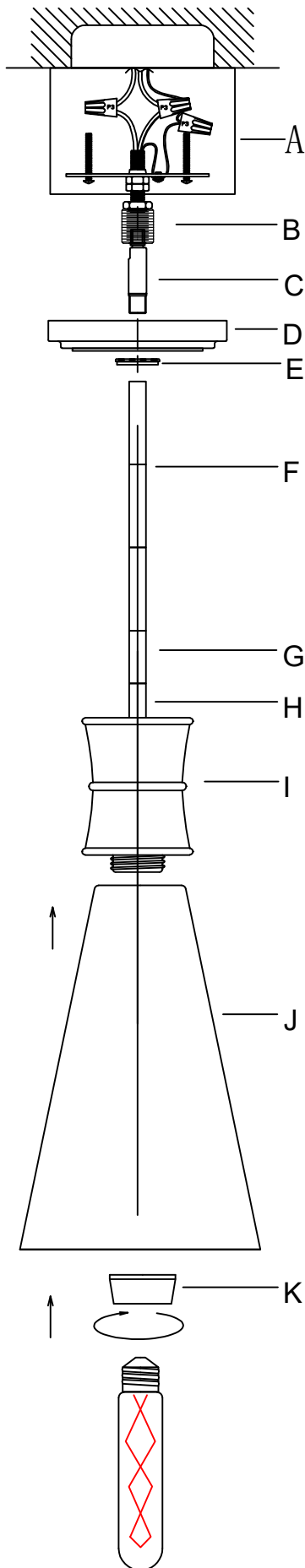


WARNING: This product can expose you to Lead, which is known to the State of California to cause cancer and/or birth defects or reproductive harm. For more information go to www.P65Warnings.ca.gov

CRYSTORAMA

LIGHTING THE WAY FOR SIXTY YEARS

ASSEMBLY INSTRUCTION MODEL #QUN-1500-MK-TG



Part Number

Part Number

- A. (1) Mounting hardware
- B. (1) Screw collar loop
- C. (1) Swivel
- D. (1) Canopy $\phi 5'' * H 0.75''$
XAR1500MKTGCAN5IN
- E. (1) Collar loop ring
- F. (3) Long Hang rod $\phi 0.5'' * 12''$
XAR1500MKTGRD12IN
- G. (1) Short hang rod $\phi 0.5'' * 6''$
XAR1500MKTGRD6IN
- H. (1) Spacer rod $\phi 0.5'' * 1''$
- I. (1) Frame
- J. (1) Glass shade $\phi 7'' * H 10.5''$
XAR1500GLA7IN
- K. (1) Socket ring