



see what Delta can do<sup>SM</sup>

## ACCESSORIES

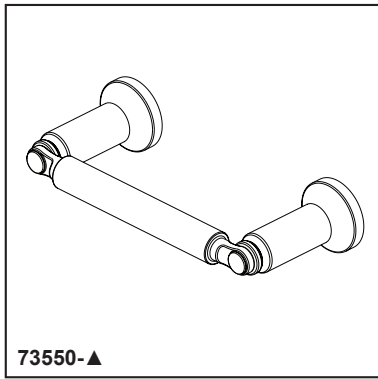
- Saylor™ Bath Collection
- Tissue Holder

### STANDARD SPECIFICATIONS:

- Wood blocking is preferable behind all wall surfaces. If wood blocking is not available, the following fasteners are suggested: Tile/Masonry-Plastic or lead Anchors Plaster/drywall-Toggle bolts.
- Mounting hardware included with product.
- Pivoting arm

### WARRANTY

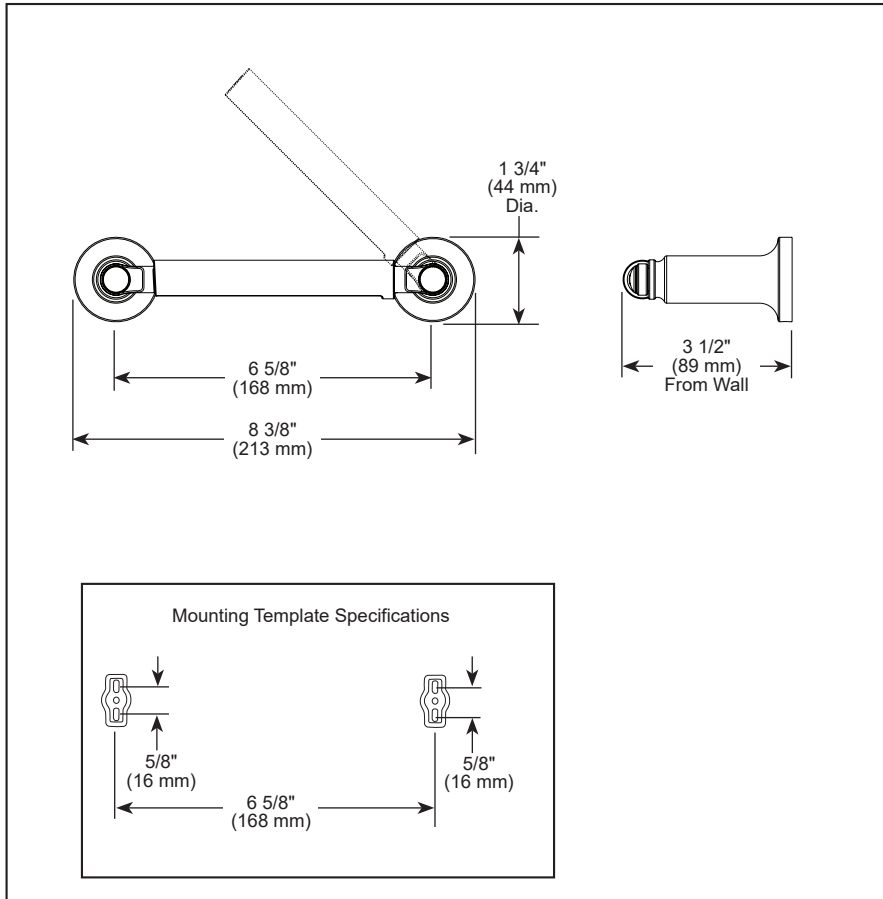
- Parts and Finish - Lifetime limited warranty; or for commercial purchasers, 10 years for multi-family residential (apartments and condominiums) and 5 years for all other commercial uses, in each case from the date of purchase.



73550-▲

Submitted Model No.: \_\_\_\_\_

Specific Features: \_\_\_\_\_



▲ Designate Proper Finish Suffix