

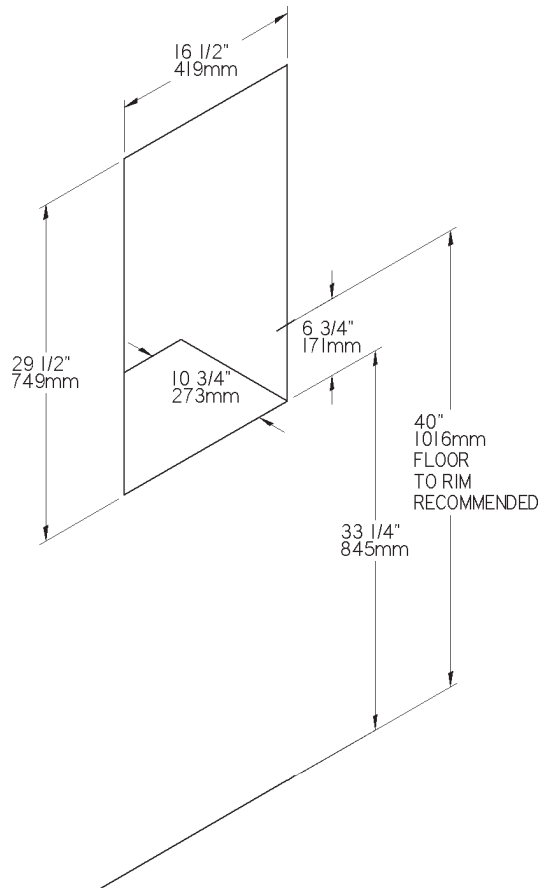


**TOP**



FOR WALL BOX INSTALLATIONS

USE 4 SCREWS OR BOLTS THROUGH HOLES PROVIDED ON EACH SIDE (SCREWS BY OTHERS).



**MB24**

90701C  
(Rev. C - 5/05)

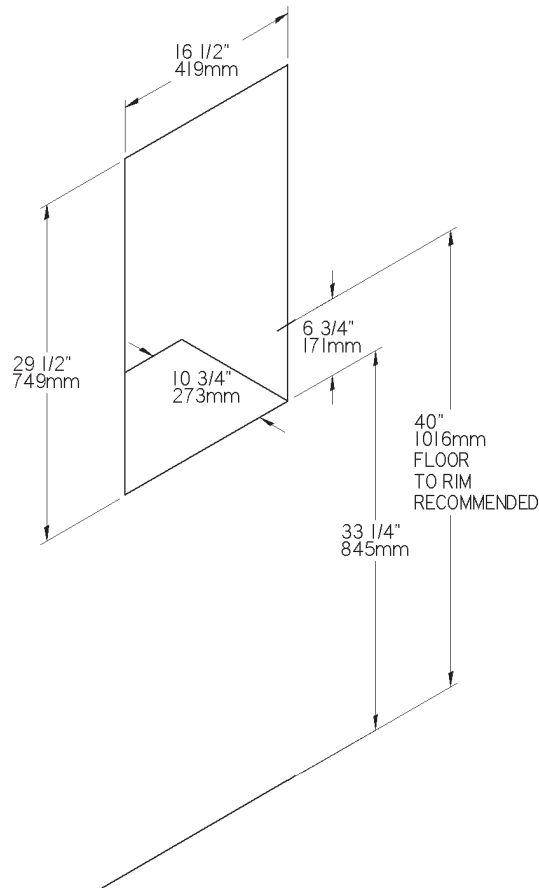


**TOP**



FOR WALL BOX INSTALLATIONS

USE 4 SCREWS OR BOLTS THROUGH HOLES PROVIDED ON EACH SIDE (SCREWS BY OTHERS).



**MB24**

90701C  
(Rev. C - 5/05)

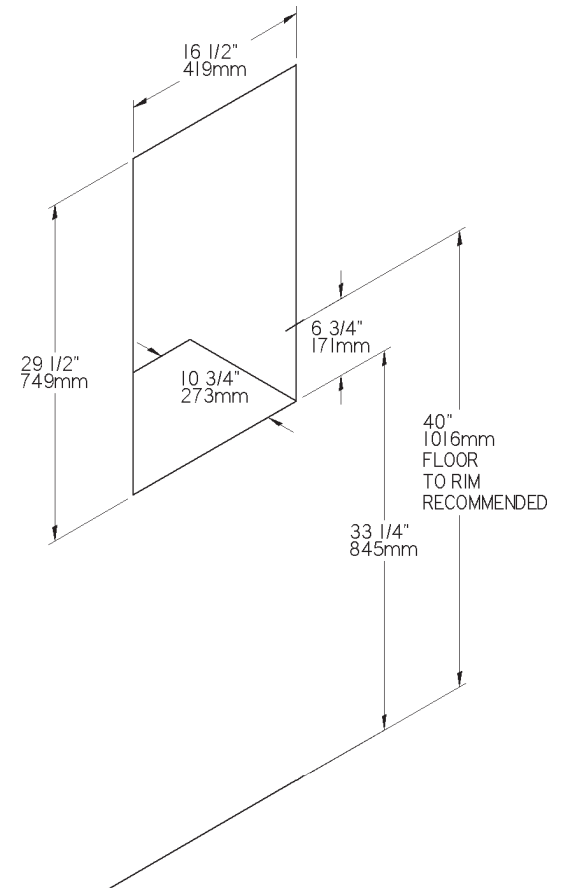


**TOP**



FOR WALL BOX INSTALLATIONS

USE 4 SCREWS OR BOLTS THROUGH HOLES PROVIDED ON EACH SIDE (SCREWS BY OTHERS).



**MB24**

90701C  
(Rev. C - 5/05)