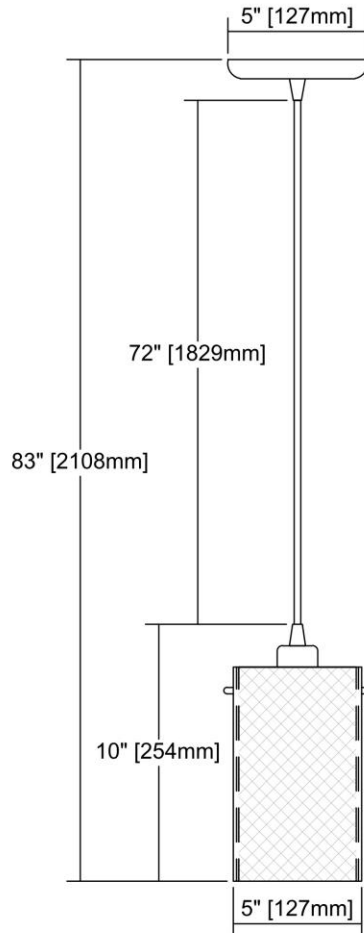
	<b>ITEM #:</b>	10448/1
	<b>UPC</b>	748119097015
	<b>Description</b>	Brant 1-Light Mini Pendant in Oiled Bronze with Clear Glass and Metal Fishnet Shade
	<b>Finish</b>	Oil Rubbed Bronze
	<b>Materials</b>	Glass, Metal
	<b>Brand</b>	ELK Lighting
	<b>Collection</b>	Brant
	<b>Category</b>	Indoor Lighting
	<b>Type</b>	Mini Pendant

ITEM DIMENSIONS				RATINGS & SPECIFICATIONS				
<b>Width</b>	5 inches			<b>Safety Rating</b>	UL		<b>Certification</b>	N/A
<b>Depth</b>	5 inches			<b>ADA Compliant</b>	N/A		<b>Voltage</b>	N/A
<b>Height</b>	10 inches			<b>BULBS / SOCKETS</b>				
<b>Weight</b>	2 pounds			<b>Quantity</b>	1	<b>Wattage</b>	60 watts	
ADDITIONAL DIMENSIONS				<b>Included</b>	No		<b>Type</b>	A19 (E26 Medium Base)
<b>Backplate / Canopy</b>	5x5			<b>Other</b>	N/A			
<b>HCWO</b>	N/A			CHAIN / CORD INFORMATION				
<b>Min. Extension</b>	N/A			<b>Chain</b>	N/A		<b>Cord</b>	N/A
<b>Max. Extension</b>	N/A			SHADE / GLASS DETAILS				
OVERALL HEIGHT				<b>Shade/Glass Description</b>	Clear Glass and Metal Fishnet Shade			
<b>Min.</b>	N/A		<b>Max.</b>	N/A				
EXTENSION ROD(S)				<b>Width</b>	N/A		<b>Height</b>	N/A
N/A				<b>Width at Top</b>	N/A		<b>Width at Bottom</b>	N/A



Rev. 5/9/2019