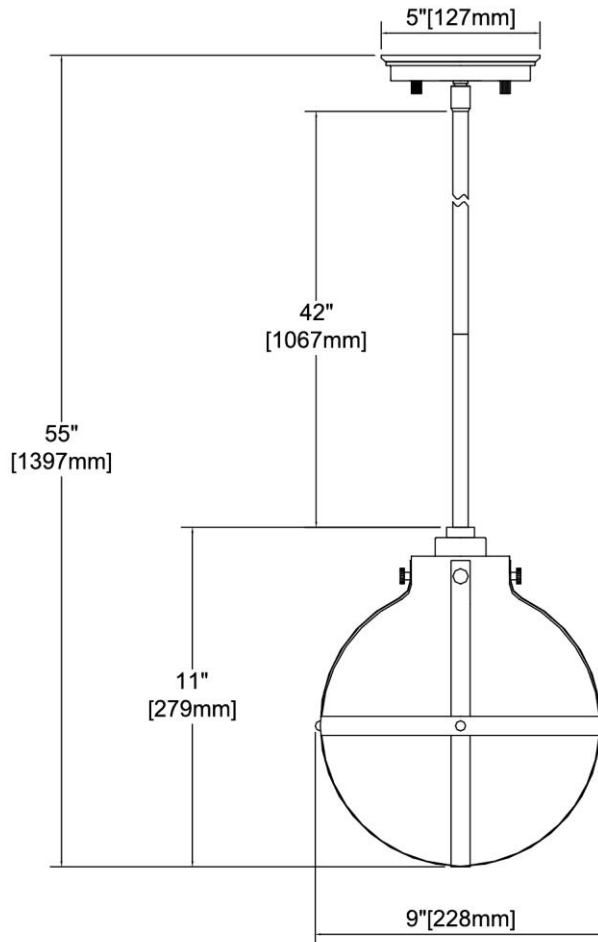




|                    |  |
|--------------------|--|
| <b>ITEM #:</b>     | 46443/1  |
| <b>UPC</b>         | 748119133720   |
| <b>Description</b> | Cusp 1-Light Mini Pendant in Light Wood with Clear Glass |
| <b>Finish</b>      | Light Wood, Satin Nickel                                 |
| <b>Materials</b>   | Glass, Steel   |
| <b>Brand</b>       | ELK Lighting   |
| <b>Collection</b>  | Cusp   |
| <b>Category</b>    | Indoor Lighting  |
| <b>Type</b>        | Mini Pendant   |

| ITEM DIMENSIONS              |            |             |           | RATINGS & SPECIFICATIONS        |             |                |                        |               |
|------------------------------|------------|-------------|-----------|---------------------------------|-------------|----------------|------------------------|---------------|
| <b>Width</b>                 | 9 inches   |             |           | <b>Safety Rating</b>            | ETL         |                | <b>Certification</b>   | Dry locations |
| <b>Depth</b>                 | 9 inches   |             |           | <b>ADA Compliant</b>            | N/A         |                | <b>Voltage</b>         | 120           |
| <b>Height</b>                | 11 inches  |             |           | <b>BULBS / SOCKETS</b>          |             |                |                        |               |
| <b>Weight</b>                | 3 pounds   |             |           | <b>Quantity</b>                 | 1           | <b>Wattage</b> | 60 watts               |               |
| <b>ADDITIONAL DIMENSIONS</b> |            |             |           | <b>Included</b>                 | No          | <b>Type</b>    | A19 (E26 Medium Base)  |               |
| <b>Backplate / Canopy</b>    | 5 diameter |             |           | <b>Other</b>                    | N/A         |                |                        |               |
| <b>HCWO</b>                  | N/A        |             |           | <b>CHAIN / CORD INFORMATION</b> |             |                |                        |               |
| <b>Min. Extension</b>        | N/A        |             |           | <b>Chain</b>                    | N/A         | <b>Cord</b>    | 72 inches              |               |
| <b>Max. Extension</b>        | N/A        |             |           | <b>SHADE / GLASS DETAILS</b>    |             |                |                        |               |
| <b>OVERALL HEIGHT</b>        |            |             |           | <b>Shade/Glass Description</b>  | Clear glass |                |                        |               |
| <b>Min.</b>                  | 19 inches  | <b>Max.</b> | 55 inches | <b>Width</b>                    | 9 inches    |                | <b>Height</b>          | 10 inches     |
| <b>EXTENSION ROD(S)</b>      |            |             |           | <b>Width at Top</b>             | N/A         |                | <b>Width at Bottom</b> | N/A           |
| Rods: 1-6, 3-12              |            |             |           |                                 |             |                |                        |               |



Rev. 5/13/2019