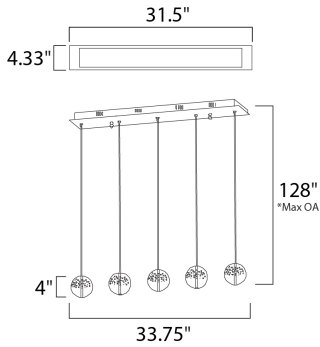




PRODUCT DESCRIPTION

Ablaze with xenon lamps radiating from the center of perfect spheres, the Orb Collection adds a sense of drama to any room. Clear bubble glass allows for a lustrous glow as light mimics the fluid play of water and air. Bordered with a Polished Chrome frame, the fixture mesmerizes onlookers with an innate mystery.



*max overall height of fixture

MEASUREMENTS

DIMENSION : 33.75" L x 4" W x 4" H
 MAX OAH : 128" OAH
 CANOPY : 4.33" W x 1.6" H x 31.5" L
 HANGING WEIGHT : 13.3 lb

LAMPING

LUMENS : 1,600 Rated
 BULB : 5 x 20W Xenon 12V G4 , 100W Total
 BULB INCLUDED : (Included)
 DIMMABLE : Electronic Low Voltage (ELV)
 COLOR_TEMP : 2900K

FINISHES OPTION

 Polished Chrome

GLASS

Bubble 91

MATERIAL

Bubble Glass + Steel

RATINGS

cETLus
 Dry Location



ADDITIONAL

TRANSFORMER
 RATED LIFE 2000 Hours
 OPERATING TEMPERATURE:
 -20°C (-4°F), 40°C (104°F)

Always consult a qualified electrician before installing any lighting product.



WESTERN DISTRIBUTION CENTER (HEADQUARTER)
 253 NORTH VINELAND AVE | CITY OF INDUSTRY, CA 91746
EASTERN DISTRIBUTION CENTER
 4200 SHIRLEY DR. | ATLANTA, GA 30336
 P. 626.956.4200 | F. 626.956.4225 | et2online.com