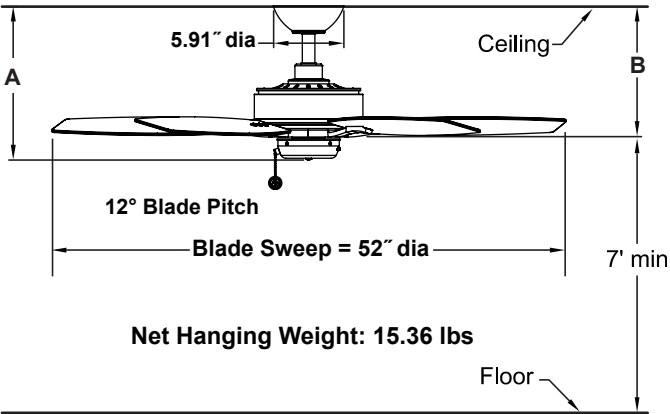




AIRE DELUXE™

FP6284
52" Ceiling Fan**



	A	B
Fan w/4.5" downrod	12.77"	10.59"
Fan w/12" downrod	20.27"	18.09"
Fan w/18" downrod	26.27"	24.09"
Fan w/24" downrod	32.27"	30.09"
Fan w/36" downrod	44.27"	42.09"
Fan w/48" downrod	56.27"	54.09"
Fan w/60" downrod	68.27"	66.09"
Fan w/72" downrod	80.27"	78.09"

INSTALLATION REQUIREMENTS:

Ceiling fan attaches to electrical junction box securely anchored and capable of withstanding a load of at least 35 lbs.

ELECTRICAL REQUIREMENTS:

Ceiling fan requires a grounded electrical supply line of 120 volts AC, 60 Hz, 15 amp circuit.

MOTOR SPECS:

153 x 15 AC motor is designed for optimal performance with this fan.

BLADE SETS:

A set of five 21" reversible plywood blades is included.

CONTROL OPTIONS:

Three fan speeds pull chain control included. The reverse switch is located on the switch housing. Optional CW1 and CW5 wall controls and CRL4WH and CRL8TS remote controls with receiver unit are available—sold separately. Instructions are provided with each control.

DOWNROD OPTIONS:

Fan comes with 1" dia. x 4.5" long downrod. Optional downrods available in 12", 18", 24", 36", 48", 60", and 72" lengths. A downrod coupler is available for installations requiring a downrod longer than 72". Fan can be mounted on a sloped ceiling upto 19°. Most sloped ceiling installations require a downrod longer than the standard 4.5" downrod. Optional close-to-ceiling kit is available as well—sold separately. Optional sloped ceiling kits (SCK1-52) are available for up to 42°. Call technical support for more information.

LOCATION USE:

Fan is rated for dry locations only.

Available Finish	
BN	Brushed Nickel With Cherry/Dark Walnut Blade
DZ	Dark Bronze With Cherry/Dark Walnut Blade
MW	Matte White With Matte White Blade

Airflow / Energy Efficiency Info (120V)					
Fan Speed	Max RPM	CFM	CFM / Watts	Amps	Watts
High	170	5284	97	0.45	54
Med	120	3805	139	0.34	27
Low	63	2099	193	0.22	11