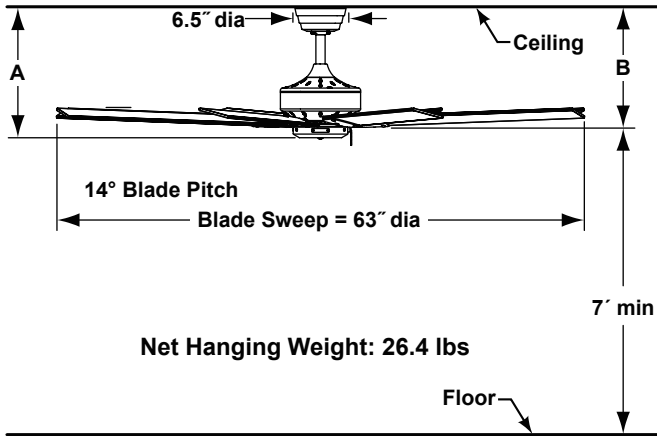


LEVON™

FP7910
Ceiling Fan**



	A	B
Fan w/6" downrod	14.50"	12.00"
Fan w/12" downrod	20.50"	18.00"
Fan w/18" downrod	26.50"	24.00"
Fan w/24" downrod	32.50"	30.00"
Fan w/36" downrod	44.50"	42.00"
Fan w/48" downrod	56.50"	54.00"
Fan w/60" downrod	68.50"	66.00"
Fan w/72" downrod	80.50"	78.00"

INSTALLATION REQUIREMENTS:

Fan must be attached to a securely anchored electrical junction box capable of withstanding a load of at least 50 lbs.

ELECTRICAL REQUIREMENTS:

Requires a grounded electrical supply line of 120 volts AC, 60 Hz, 15 amp circuit.

MOTOR SPECS:

188 x 25 motor is designed for optimal performance with this fan.

BLADES:

A set of eight reversible wood blades is included.

CONTROL OPTIONS:

Optional CW1**, CW1SW**, CW2**, CW5** and CWRL4** wall controls and CRL4WH and CRL8TS remote controls (with receiver units) are available—sold separately. Instructions are provided with each control.

LIGHTING OPTIONS:

Optional lighting fitters and light kits are available. See our catalog or visit www.fanimation.com for available lighting options.

DOWNROD OPTIONS:

Fan comes with a 1" dia. x 6" long downrod (DR1-6). Optional downrods available in 12", 18", 24", 36", 48", 60" and 72" lengths. Fan can be mounted on a sloped ceiling up to 30°. Most sloped ceiling installations require a downrod longer than the standard 6" downrod. Optional sloped ceiling ball kits (SCB1-52) are available for slope angles greater than 30° and up to 52°. Optional close-to-ceiling kit is available as well—sold separately. Call technical support for more information.

LOCATION USE:

Fan is rated for dry locations only.

Available Finishes		
Fan / Housing Assembly		Blade
BN	Brushed Nickel	Cherry/Walnut
OB	Oil-rubbed Bronze	Walnut
MW	Matte White	Matte White
BL	Black	Black

Airflow / Energy Efficiency Info (120V)					
Fan Speed	Max RPM	CFM	CFM / Watts	Amps	Watts
High	113	6942	107	0.54	65
Med	76	4480	145	0.38	31
Low	53	3197	200	0.26	16