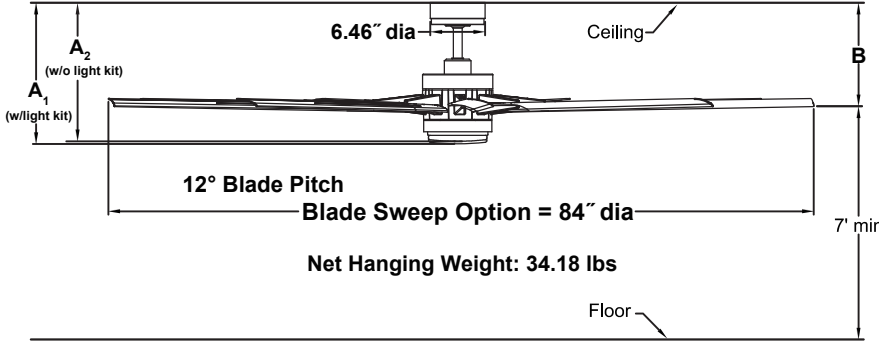


ODYN™ 84



FPD8159**
84" Ceiling Fan



	A ₁	A ₂	B
Fan w/6" downrod	16.64"	16.33"	12.20"
Fan w/12" downrod	22.64"	22.33"	18.20"
Fan w/18" downrod	28.64"	28.33"	24.20"
Fan w/24" downrod	34.64"	34.33"	30.20"
Fan w/36" downrod	46.64"	46.33"	42.20"
Fan w/48" downrod	58.64"	58.33"	54.20"
Fan w/60" downrod	70.64"	70.33"	66.20"
Fan w/72" downrod	82.64"	82.33"	78.20"

INSTALLATION REQUIREMENTS:

Fan must be attached to a securely anchored electrical junction box capable of withstanding a load of at least 35 lbs.

ELECTRICAL REQUIREMENTS:

Requires a grounded electrical supply line of 120 volts AC, 60 Hz, 15 amp circuit.

MOTOR SPECS:

DC165NL sensorless DC motor is designed for optimal performance with this fan.

BLADES:

A set of nine 38" all weather composite blades is included.

LIGHTING OPTIONS:

One 18-watt LED included.

CONTROL OPTIONS:

TR205D hand-held remote control is included. Push button remote control with variable fan speeds, fresh air, reverse, infinite light levels, fan/light timer, home away, safe exit and off button. Optional TW206D wall control and WFR8159 WiFi receiver unit are available—sold separately. Instruction is provided with each control.

DOWNROD OPTIONS:

Fan comes with 1" dia. x 6" long wet-location downrod (DR1SS-6). Optional wet-location downrods are available in 12", 18", 24", 36", 48", 60", and 72" lengths. A downrod coupler is available for installations requiring a downrod longer than 72". Fan can be mounted on a sloped ceiling up to 27°. Most sloped ceiling installations require a downrod longer than the standard 24" downrod. Optional sloped ceiling ball kits (SCB1-52) are available for slope angles greater than 27° and up to 42°. Optional close-to-ceiling kit is available as well—sold separately. Call technical support for more information.

LOCATION USE:

Fan is rated for dry, damp and wet locations.

Available Finishes	
BNWBN	Brushed Nickel with Brushed Nickel Blade and Opal Frosted Glass/Steel Cap
BNWBL	Brushed Nickel with Black Blade and Opal Frosted Glass/Steel Cap
BLW	Black with Black Blade and Opal Frosted Glass/Steel Cap
DZW	Dark Bronze with Dark Walnut Blade and Opal Frosted Glass/Steel Cap
GRW	Matte Greige with Weathered Wood Blade and Opal Frosted Glass/Steel Cap
MWW	Matte White with Matte White Blade and Opal Frosted Glass/Steel Cap

Airflow / Energy Efficiency Info (120V)					
Fan Speed	Max RPM	CFM	CFM / Watts	Amps	Watts
High	70	10236	232	0.45	34
Med	50	7527	507	0.20	13
Low	29	4219	1136	0.07	4

Energy Guide FTC			
Power (W _{ave})	Total Air Delivery (CFM _{ave})	Estimated Yearly Energy Cost (\$)	Ceiling Fan Efficiency (CFM/W)
27	7210	8	268

Light Bulb Information (120V)					
Bulb Type	Watts	QTY	Lumens Amount	Color Temp	CRI
LED	18	1	1400	3000	90%