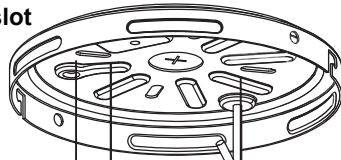
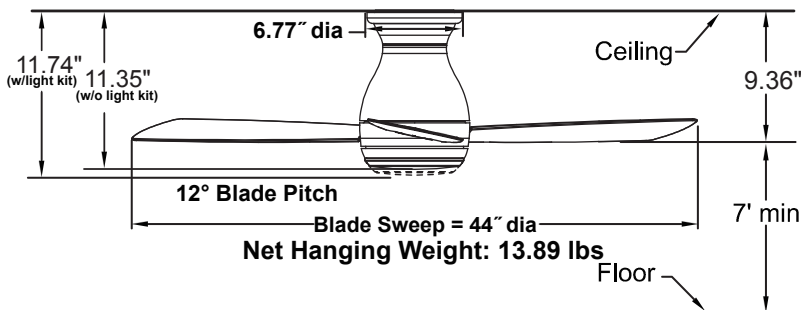


HUGH™ 44**FPS8332B**
44" Wet Location
Ceiling Fan****Ceiling Bracket**

Width of the screw slot



0.67" 2.52"

**INSTALLATION REQUIREMENTS:**

Fan must be attached to a securely anchored electrical junction box capable of withstanding a load of at least 35 lbs.

ELECTRICAL REQUIREMENTS:

Requires a grounded electrical supply line of 120 volts AC, 60 Hz, 15 amp circuit.

MOTOR SPECS:

153 x 12 AC motor is designed for optimal performance with this fan.

BLADE SET:

A set of three 19.5" composite blades is included.

CONTROL OPTIONS:

TR500 hand-held remote control is included. Push button remote control with variable fan speeds, infinite light levels and off button. Optional WC1WH, WC2WH, WR500WH, WR501WH and CWRL4 wall controls, BTCR9 and CRL4WH hand-held remote controls and BTR9 receiver unit and WFR50 WiFi receiver unit are available—sold separately. Instructions are provided with each control.

LIGHTING OPTIONS:

One 18-watt LED included.

LOCATION USE:

Fan is rated for dry, damp and wet locations.

Available Finishes

BLW	Black with Black blades and Opal Frosted Glass / Composite Cap
BNW	Brushed Nickel with Brushed Nickel blades and Opal Frosted Glass / Composite Cap
DZW	Dark Bronze with Dark Bronze blades and Opal Frosted Glass / Composite Cap
GRW	Matte Greige with Matte Greige blades and Opal Frosted Glass / Composite Cap
MWW	Matte White with Matte White blades and Opal Frosted Glass / Composite Cap

Fan Airflow / Energy Efficiency Info (120V)

Fan Speed	Max RPM	CFM	CFM / Watts	Amps	Watts
High	199	3785	76	0.42	50
Med	154	3043	91	0.34	33
Low	98	1768	115	0.23	15

Energy Guide FTC

Power (W _{ave})	Total Air Delivery (CFM _{ave})	Estimated Yearly Energy Cost (\$)	Ceiling Fan Efficiency (CFM/W)
34	2653	9	79

Light Bulb Information (120V)

Bulb Type	Watts	QTY	Lumens Amount	Color Temp	CRI
LED	18	1	1500	3000	90%