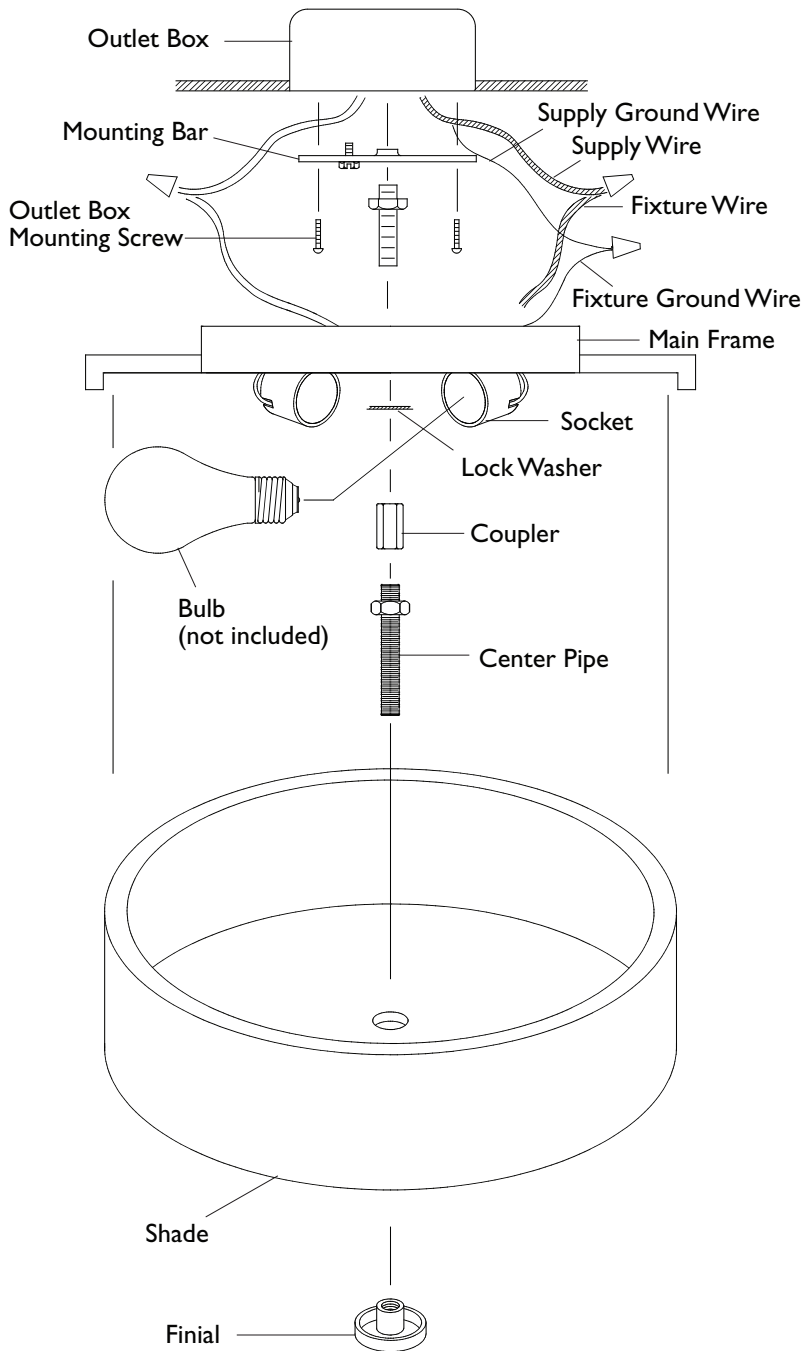


# Assembly Instructions For

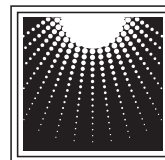
# FM313 (E) 12/08



## IMPORTANT TURN OFF THE POWER AT THE MAIN FUSE OR CIRCUIT BREAKER BOX BEFORE STARTING INSTALLATION

Carefully unpack and identify all parts before assembly. Bulb not included.

1. Attach mounting bar securely to ceiling junction box with two machine screws (supplied with junction box) through slot at each end of mounting bar. Note: mounting bar should be installed with "GND" imprint and/or two dimples facing down.
2. Fasten one hex nut about 3/4" (19 mm) down from one end of threaded pipe. Then screw same end of threaded pipe into center hole in mounting bar. At this point test install the main frame onto ceiling through this threaded pipe and make certain 3/8" (10 mm) of pipe protrude below. If not, then adjust the threaded pipe location by screwing up or down accordingly. Once correct threaded pipe location has been adjusted, remove main frame and tighten hex nut against mounting bar. Make certain not to spin threaded pipe during tightening.
3. Spread the electrical wires so that the black wires are on one side of the outlet box and the white wires are on the other side.
4. Electrical connections:  
Connect the white wire from the fixture to the white wire of the outlet box.  
Connect the black wire from the fixture to the black wire of the outlet box.  
NOTE: Black outlet box wire may be red, round & smooth and/or have copper conductor. White outlet box wire may be square & ridged and/or have a silver conductor.
5. Grounding Connection:  
Connect fixture ground wire (without insulation) to ground wire from outlet box (usually with green insulation) with wire connector (not provided).  
IMPORTANT: Never connect ground wire to black or white power supply wires.
6. While making certain all electrical wires are tucked inside of main frame, install the main frame by fastening with a lock washer and coupler onto the top threaded pipe.
7. Install a hex nut onto one end of center pipe leaving about 3/8" (10mm) thread exposed. Screw same end of pipe into coupler. Tighten hex nut.
8. Install bulb (not included). See relamping label located at socket area for type and maximum allowed wattage.
9. Install shade by slipping through the installed center pipe and then fastening with finial. IMPORTANT: Do not over tighten.



**MURRAY  
FEISS**  
Generation Brands™