

IMPORTANT SAFETY INSTRUCTIONS

- Be sure the electricity to the system you are working on is turned off; either the fuse removed or the circuit breaker set at off.
- Use of other manufacturers components will void warranty, listing and create a potential safety hazard.
- You don't need special tools to install this fixture.
- Be sure to follow the steps in the order given.
- Read instructions carefully.
- Under no circumstances should a fixture be hung on house electrical wires, nor should a swag type fixture be installed on a ceiling which contains a radiant type heating system.
- Proper wiring is essential for the safe operation of this fixture.
- Save these instructions.

WARNING

NOTE: DO NOT INSTALL ON A POST OR A POLE THAT RESULTS IN A VERTICAL RISE OF 25 FEET OR HIGHER.

CAUTION: FIXTURES WITH PHOTO-CELLS SHOULD BE MOUNTED AT LEAST 48" FROM ALL SIDES TO AVOID REFLECTION OF LIGHT BACK ONTO PHOTO-CELL, CAUSING THE PHOTO-CELL TO MALFUNCTION OR FLICKER.

CLEANING

To clean, wipe fixture with a soft cloth. Clean glass with a mild soap. Do not use abrasive materials such as scouring pads or powders, steel wool or abrasive paper.

ORDERING PARTS

Keep this sheet for future reference, and in case you need to order replacement parts. Parts for this fixture can be ordered from place of purchase. Be sure to use exact wording from illustration when ordering parts.

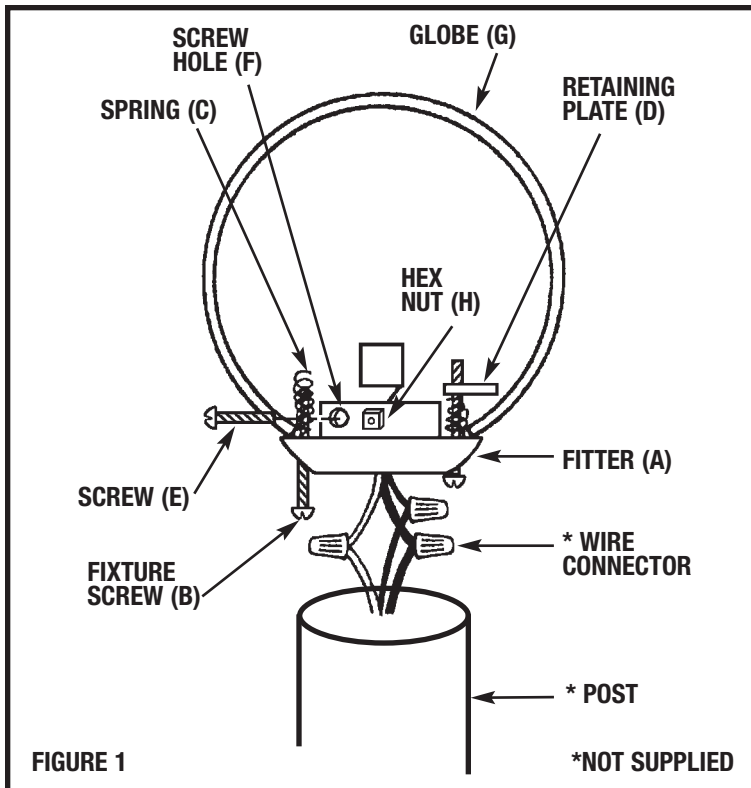


FIGURE 1

*NOT SUPPLIED

ASSEMBLY

(Steps 1 and 2 may be factory installed).

STEP 1:

Hold fitter (A) in an upright position. Push fixture screws (B) up through holes in fitter bottom, heads down.

STEP 2:

Drop springs (C) on screws (B) and thread into retaining plates (D), by turning screwhead (B).

STEP 3:

Drop hex nut (H) into slot groove of the fitter (A). Thread screw (E) into hex nut (H) on the inside of the fitter (A).

INSTALLATION

STEP 1:

- Use a wirenut to connect the fixture hot wire (black wire, or round and smooth tracer) to the supply hot wire.
- Use a wirenut to connect the fixture common wire (white wire, or square and rigid) to the supply common wire.
- Gently try to remove the wires from the connector. If you can remove the wires, carefully re-do the wiring connection.

STEP 2:

Grounding Instructions: Connect the supply ground wire (green or bare conductor) and fixture ground wire (green or bare conductor) using an orange wire nut. Gently pull on the ground wires to confirm a secure connection. If either conductor is loose remove the wire nut and reconnect the wires.

STEP 3:

Install set screw (E) in side of boss, 3 turns.

FINAL ASSEMBLY

Make sure no bare wires can be seen outside wire connectors.

STEP 1:

Tighten screw (E) to secure fitter (A) to post (not supplied).

STEP 2:

Install lamp.

STEP 3:

Install globe (G) under retaining plate (D) and tighten screws (B). For easier globe installation tilt globe.