

GEBERIT INSTALLATION SYSTEM

For 1.6/0.8 GPF (6/3 LPF) and 1.28/0.8 GPF (4.8/3 LPF) Wall-Hung Toilets, Pre-Wall Installations

PRODUCT SPECIFICATIONS

In-Wall Duofix carrier system and concealed tank with actuator flush panel or pneumatic push button for washdown wall-hung toilets. System shall fit within minimum 5½" (140 mm) framing wall or plumbing chase, with wood construction or steel framing members placed 19¾" (500 mm) apart. Framing members should be capable of supporting a 880 pound (400 kg) load without damage to the wall. Water supply shall have flow diameter no smaller than 1/2" (13 mm) copper tube, and a minimum flow pressure of 2 PSI (0.01 MPa). The toilet bowl shall be a third party listed, 2-hole wall-hung 1.6 GPF (6 LPF) or 1.28 GPF (4.8 LPF) single-flush, 1.6/0.8 GPF (6/3 LPF) or 1.28/0.8 GPF (4.8/3 LPF) dual-flush. The carrier frame shall be adjustable for bowl rim heights from 15" to 19" (381 to 483 mm). Actuator flush panels shall be diecast zinc, molded plastic, glass or fabricated stainless steel and plated to preserve material integrity. All components shall be compliant with applicable codes and product standards.

FEATURES

- Water consumption – Dual-flush system, 1.6/0.8 GPF (6/3 LPF) or 1.28/0.8 GPF (4.8/3 LPF)
- Anti-siphon fill valve
- Impact resistant high density polyethylene (HDPE) tank, insulated to prevent condensation
- 16-gauge, powder-coated, structural-steel tubing rated to 880 lbs. (400 kg) without damage to finished wall or carrier unit
- Bowl rim height adjustments from 15" to 19" (381 to 483 mm)
- 32¼" (820 mm) frame height
- For finished walls up to 3½" (9 cm) thick
- Small inspection opening for Omega flush actuator plates
- Includes installation and rough-in materials

Complies with the latest editions of:

- ASME: A112.6.2, A112.19.5, A112.19.14
- ANSI Z124.4
- CSA B125.3
- ANSI/ASSE 1002
- IAPMO PS-50
- UNAR / UNAR-HET
- ASME A112.19.2
- This concealed tank is WaterSense® listed or compliant when used in combination with the toilet bowl models listed on page 3 of this sheet
- State of Massachusetts listed

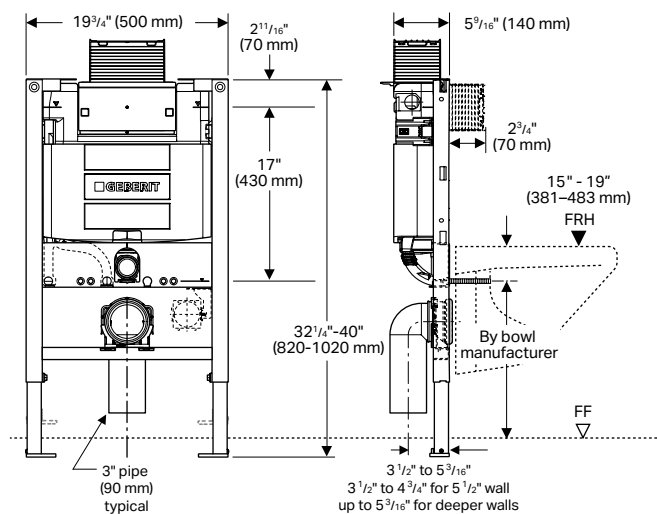
WARRANTY

- Limited lifetime warranty on tank and carrier, 10-year warranty on fill valve and flush valve. One-year warranty on actuator flush plates

Products marked with comply with the American Disabilities Act (ADA) when installed per the requirements of the latest ADA Accessibility Guidelines (ADAAG) and/or ICC/ANSI A117.1.

Where water closet grab bars are required and corresponding reinforcement provided as outlined in the latest NYC Building Code and Federal FHA Guidelines, the installed product complies both for grab bars installed at the time of initial construction as well as for grab bars planned for future installation.

Model No.	Description
111.012.00.1	Carrier frame with 1.60/0.8 GPF Omega Concealed Tank
111.018.00.1	Carrier frame with 1.28/0.8 GPF Omega Concealed Tank



ARCHITECT/ENGINEER APPROVAL

Job Name: _____

Date: _____ Quantity: _____

Model Specified: _____

Variations Specified: _____

Customer/Wholesaler: _____

Contractor: _____

Architect: _____

GEBERIT INSTALLATION SYSTEM

for 1.6/0.8 GPF (6/3 LPF) and 1.28/0.8 GPF (4.8/3 LPF) Wall-Hung Toilets, Pre-Wall Installations

COMPATIBLE 1.6/0.8 GPF (6/3 LPF) WALL-HUNG TOILET BOWL MODELS

Brand Name	Model Number*	Model Name	Brand Name	Model Number*	Model Name	Brand Name	Model Number*	Model Name		
Blu Bathworks	LW6008	Coco	Duravit	255059	Happy D.2	Laufen	820969	Laufen Pro		
	LW6020	Metrix		(continued)	252909		ME by Starck	(continued)	820956	Laufen Pro
	LW6030	Coco		252959	ME by Starck		820952	Laufen Pro Compact		
Devon & Devon	LW6030A	Coco	253009	ME by Starck	820962	Laufen Pro S				
	IBWCSBLUES	Blues	256109	P3 Comforts	820963	Laufen Pro S				
	IBWCSET	Etoile	256159	P3 Corniforts	820680	LB3				
	2IBWCBSSET	Etoile	221909	PuraVida	820688	LB3				
	IBWCSET	New Etoile	021009	Starck 1	820435	Living				
Duravit	2IBWCBSSET	New Etoile	016009	Starck 2	820439	Living				
	IBWCSRO	Rose	253309	Starck 2	820550	Mimo				
	018209	1930 Series	253359	Starck 2	820946	Mylife				
	220509	2nd Floor	253409	Starck 2	820948	Mylife				
	222009	2nd Floor	220009	Starck 3	820708	Palace				
	017509	Bathroom_Foster	220109	Starck 3	820801	Palomba				
	015609	Caro	222509	Starck 3	820808	Palomba				
	019809	Caro	220209	Starck 3 compact	Neo-Metro	8951	Euro-Urban Contour			
	019849	Caro	222709	Starck 3 compact		8957	Metaal			
	221109	D-Code	252709	Starck 3		8952	miniLoo			
	253509	D-Code	222609	Starck 3	ROCA	346768	Armani			
	220909	D-Code	222659	Starck 3		346518	Dama Senso			
	222309	D-Code	220309	Starck 3 extra long		346468	Giralda			
	257009	D-Code	220609	Starck 3		346628	Hall			
	020709	Darling	221509	Starck 3		346568	Happening			
	254509	Darling New	220409	Starck X	TOTO	CT418FG	Aquia			
	255709	Darling New	221709	Vero		CT486FG	Maris			
	254409	Darling New	252509	Vero Air	Tynan Plumbing	7531.XX	Aine			
	254459	Darling New	Icera	C-6610		7532.XX	Fionn			
	256309	Darling New		C-2340	Metro Loft	Villeroy & Boch	6612-YY-XX	Aveo		
	256359	Darling New	C-2370	Piano	4684-YY-XX		Architectura			
	253609	DuraStyle	Kallista	P70361-00	4688-UR-XX		Architectura			
	253709	DuraStyle		Kohler	K-6299		5664-YY-XX	Bellevue		
	253809	DuraStyle	K-6300		Veil for Bidet Seat		6653-YY-XX	Century		
	253909	DuraStyle	Lacava	5458	Aquagrande	6665-YY-XX	Editorials			
	254009	DuraStyle		5051WC	Giulia	6661-10-XX	Hommage			
	254109	DuraStyle		4278	Piazza	5627-YY-XX	La Belle			
	253759	DuraStyle	6058	Suave	7631-YY-XX	Magnum				
	254209	DuraStyle	2958	Tre	5628-YY-XX	Memento				
	254259	DuraStyle	Laufen	820900	Alessi dOt	6664-YY-XX	Oblic			
	255109	DuraStyle		820908	Alessi dOt	5684-YY-XX	Omnia Architectura			
	255209	DuraStyle		820976	Alessi One	5674-YY-XX	Omnia Architectura			
	255909	DuraStyle		820978	Alessi One	5678-YY-XX	Omnia Architectura Vita			
	256209	DuraStyle Basic		820671	Form	5670-YY-XX	Pure Stone			
	257109	DuraStyle		820661	Hi Jet	5622-YY-XX	Sentique			
	255409	Esplanade		820338	Kartell	6661-YY-XX	Strada			
	017109	Happy D		820336	Kartell	4609-UR-XX	Subway			
	222109	Happy D.2		820331	Kartell	6600-YY-XX	Subway			
	222209	Happy D.2		820950	Laufen Pro	5600-YY-XX	Subway 2.0			
	255009	Happy D.2			5614-XX	Subway				

COMPATIBLE 1.28/0.8 GPF (4.8/3 LPF) WALL-HUNG TOILET BOWL MODELS

Brand Name	Model Number*	Model Name
TOTO	CT437FG**	MH
	CT437FGT20**	MH Connect+
	CT447CFG	RP

* Consult toilet manufacturers for up-to-date model numbers and availability.

** Meets 600 grams MaP performance score.

GEBERIT INSTALLATION SYSTEM

for 1.6/0.8 GPF (6/3 LPF) and 1.28/0.8 GPF (4.8/3 LPF) Wall-Hung Toilets, Pre-Wall Installations

**WATERSENSE LISTED EPA HIGH
EFFICIENCY COMPATIBLE
1.28/0.8 GPF (4.8/3 LPF) WALL-HUNG
TOILET BOWL MODELS**



Brand Name	Model Number*	Model Name
TOTO	CT437FG**	MH
	CT437FGT20**	MH Connect+

- * Consult toilet manufacturers for up-to-date model numbers and availability.
- ** Meets 600 grams MaP performance score.

Geberit
2100 S. Clearwater Drive
Des Plaines, IL 60018
USA

P 847-803-7777
F 847-849-1845

www.geberit.us