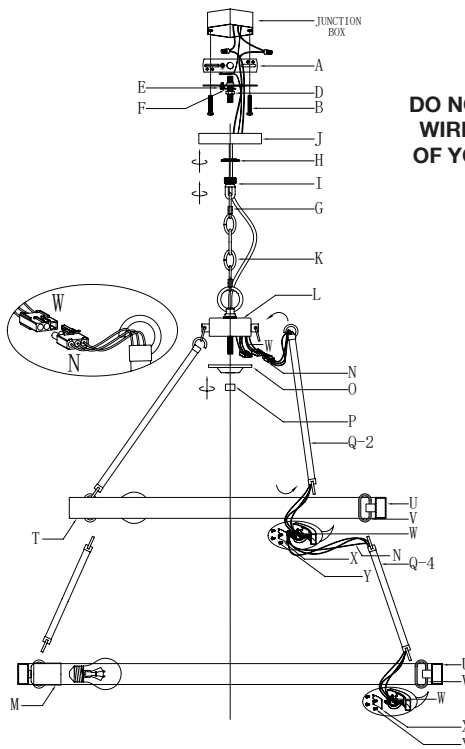


# Assembly Instructions: 1019-6+9

## IMPORTANT:

- ALL INSTALLATION WORK SHOULD BE DONE BY ACCREDITED PROFESSIONAL.
- SHUT OFF POWER SUPPLY AT FUSE OR CIRCUIT BREAKER!
- USE ONLY THE SPECIFIED BULBS. DO NOT EXCEED THE MAXIMUM WATTAGE!

For Customer Service, please contact the place of purchase.



**DO NOT OPEN CHAINS OR CUT WIRES UNTIL YOU ARE SURE OF YOUR FIXTURE'S OVERALL HANGING HEIGHT**

## PREPARING FOR INSTALLATION

Carefully remove the new fixture from the carton as well as the yellow bag that holds all of the parts. See the important notes above. Shut off power at the circuit breaker and remove old fixture from wall, including the old mounting strap.

1. From the parts bag remove the mounting strap assembly. One end of nipple (F) should be attached to mounting strap (A) with hex nuts (D) in place. The other end should have canopy loop (I) attached.
2. Attach mounting strap (A) to the junction box using mounting screws (B) and a screwdriver. Tighten securely. Pull house wires through the center of the mounting strap (A). Unscrew canopy loop collar (H) from canopy loop (I). Pass canopy (J) over the mounted canopy loop to test the height. Approximately half of the canopy loop's exterior threads should be exposed, and the canopy loop collar should fit snugly onto the canopy loop. Remove canopy (J) and adjust the height of nipple (F) and canopy loop (I) until the desired height is reached.

## ASSEMBLING THE FIXTURE

For this fixture it is important to determine your desired hanging height. Check your product specs for your fixture's height.

3. Prepare the chain for a mock hang: Attach one chain connector (G) to one end of the chain (K). Attach the chain connector and chain to top loop found on top of fixture base (L) which contains wire connectors (W). Pass the fixture wires from top loop on the top of fixture base (L) up the chain connector and chain (every three links or so), pulling the wires until taut.
4. To mock hang: Keeping in mind your purchased light's fixture height, have an assistant hold the fixture base (L) and attach the remaining chain connector (G) to any chain link on chain (K). Attach the chain connector (G) and chain link (K) to canopy loop (I). Step back while your assistant holds the fixture base (L). Measure the current chain height by taking the length from the bottom of canopy loop (I) to the bottom of the fixture base (L) and add your light's fixture height. The total of these measurements is your fixture's overall hanging height. Adjust the chain connector onto other links until you are satisfied with the overall hanging height.

**Note: We recommend an allowance of 30" between the bottom of your fixture's overall hanging height and the top of any object it may hang over.**

If you need additional chain, please contact the place of purchase.

5. Remove any excess chain with a chain opener. Close the chain connectors (G) to secure. Feed fixture wires through the canopy loop (I) and canopy (J). Slide canopy loop collar (H) and canopy (J) down onto the chain/wires. Pull the wires until taut. Trim the wires to the desired length plus 8 to 10 inches.
6. Hook long rods (Q-2) onto the rings found on fixture base (L). Lift fixture ring (T) up to the long hanging rods (Q-2) and connect the bottom hooks of long rods (Q-2) onto the inner rings (V) on fixture ring (T).

**TO COMPLETE ASSEMBLY, WIRING, AND INSTALLATION, TURN PAGE.**

### CLEANING TIPS

Treat the fixture gently! Regular cleaning will reduce the need for deep cleaning. For regular cleaning, turn off the light and wipe down the fixture with a clean lint-free cotton or microfiber cloth. Never spray cleaner directly onto the fixture. For deep cleaning, turn off the light and remove the glass prior to cleaning. Hand wash glass with warm water and mild detergent. Dry with a lint-free or microfiber cloth.

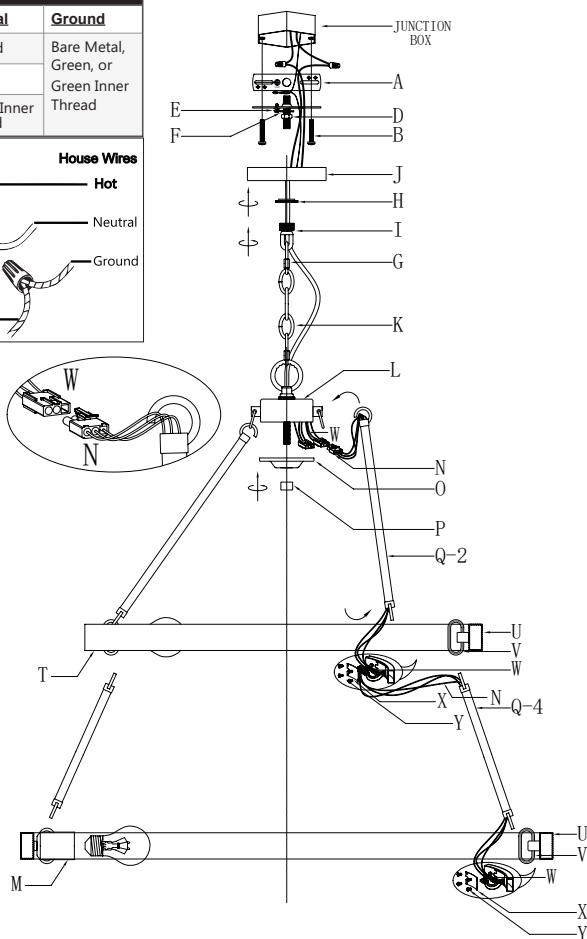
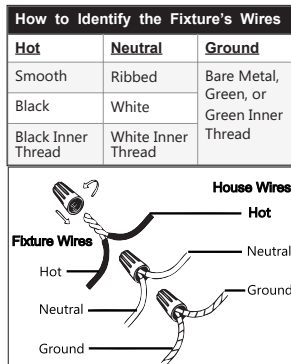
# Assembly Instructions: 1019-6+9

## IMPORTANT:

- ALL INSTALLATION WORK SHOULD BE DONE BY ACCREDITED PROFESSIONAL.
- SHUT OFF POWER SUPPLY AT FUSE OR CIRCUIT BREAKER!
- USE ONLY THE SPECIFIED BULBS. DO NOT EXCEED THE MAXIMUM WATTAGE!

For Customer Service, please contact the place of purchase.

**DO NOT OPEN CHAINS OR CUT WIRES UNTIL YOU ARE SURE OF YOUR FIXTURE'S OVERALL HANGING HEIGHT**



## FINISHING THE INSTALLATION

11. Push canopy (J) up to the ceiling and slide canopy loop collar (H) up beneath the canopy. Tightly thread canopy loop collar (H) onto canopy loop (I) to secure canopy (J) in place.

Install light bulbs (not provided) in accordance with the fixture's specifications. Do not exceed maximum recommended wattage.

Your installation is complete. Turn on the power and test the fixture.

## CLEANING TIPS

Treat the fixture gently! Regular cleaning will reduce the need for deep cleaning. For regular cleaning, turn off the light and wipe down the fixture with a clean lint-free cotton or microfiber cloth. Never spray cleaner directly onto the fixture. For deep cleaning, turn off the light and remove the glass prior to cleaning. Hand wash glass with warm water and mild detergent. Dry with a lint-free or microfiber cloth.

## ASSEMBLING THE FIXTURE: CONTINUED...

7. Hook short rods (Q-4) onto the rings found on the bottom of ring (T). Lift larger fixture ring (M) up to the hanging short rods (Q-4) and connect the bottom hooks of short rods (Q-4) onto the inner rings (V) on fixture ring (M).

## CONNECTING THE WIRES

8. Have two assistants available to support the fixture weight of rings (T & M) while completing the entire wiring process. Using a screwdriver, unscrew screws (Y) from panels (X) found within plates (U) on fixture rings (T & M). Inside panels (X), you will find wire connectors (W). Push wire connectors (W) into wire connectors (N) found on one of the rods (Q-2 & Q-4) until you hear a click. You may need to rearrange rods to ensure wire connectors are near one another for easy wiring connection.

9. Tuck the connected wires on fixture rings (T & M) back into panels (X) and use screws (Y) and a screwdriver to secure wires back into the panels (X).

10. Untwist finial (P) from the fixture's base (L). Once unscrewed, pull cup (O) off of the exposed nipple from the bottom of fixture base (L) to expose wire connector (W). Take the wire connector (N) from one of the rods (Q-2) and push into wire connector (W) until you hear a click. Tuck the connected wires beneath the fixture base (L) and push cup (O) over the nipple, making sure the connected wires are secured within the cup (O). Secure cup (O) with connected wires (W & N) inside to the fixture base (L) using finial (P). Twist finial (P) onto the nipple until secure.

11. Attach the fixture's wires to the house wires which were pulled earlier from the junction box through the mounting strap (A). Connect black to black (transparent wire with black inner thread or smooth); white to white (transparent wire with white inner thread or ribbed); ground to ground (green, transparent wire with green inner thread, or copper). Twist the ends of the wire pairs together, and then twist on a wire connector. Make sure all twists are in the same direction. If there is no ground wire (green or copper) coming from the junction box, locate ground screw (E) on the mounting strap and wrap the fixture's ground wire around the green ground screw (E). Use a screwdriver to secure ground screw (E) onto the mounting bracket. Tuck all wires neatly into the junction box.