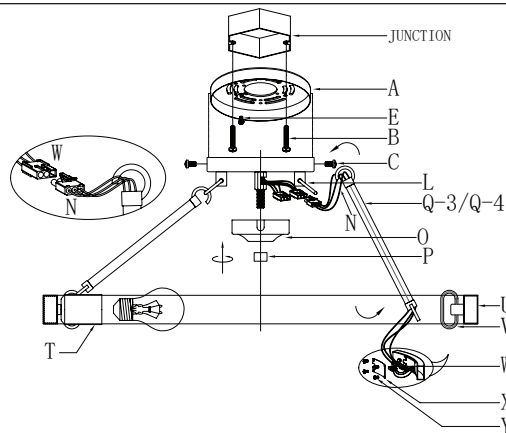


Assembly Instructions: 1019-6 SF/9 SF

IMPORTANT:

- ALL INSTALLATION WORK SHOULD BE DONE BY ACCREDITED PROFESSIONAL.
- SHUT OFF POWER SUPPLY AT FUSE OR CIRCUIT BREAKER!
- USE ONLY THE SPECIFIED BULBS. DO NOT EXCEED THE MAXIMUM WATTAGE!

For Customer Service, please contact the place of purchase.



How to Identify the Fixture's Wires		
Hot	Neutral	Ground
Smooth	Ribbed	Bare Metal, Green, or Green Inner Thread
Black	White	
Black Inner Thread	White Inner Thread	

House Wires

Hot

Neutral

Ground

Fixture Wires

Hot

Neutral

Ground

PREPARING FOR INSTALLATION

Carefully remove the new fixture from the carton as well as the yellow bag that holds all of the parts. See the important notes above. Shut off power at the circuit breaker and remove old fixture from wall, including the old mounting strap.

1. From the parts bag remove the mounting strap assembly. The mounting strap (A) should come with mounting screws (B) and be attached to the canopy via screws (C). Attach mounting strap (A) to the junction box using mounting screws (B) and a screwdriver. Tighten securely. Pull house wires through the center of the mounting strap (A).

ASSEMBLING THE FIXTURE

2. Hook rods (Q-3/Q-4) onto the rings found on fixture base (L). Lift fixture ring (T) up to the hanging rods (Q-3/Q-4) and connect the bottom hooks of rods (Q-3/Q-4) onto the inner rings (V) on fixture ring (T).

CONNECTING THE WIRES

3. Have an assistant available to support the fixture weight of ring (T) while completing the entire wiring process. Using a screwdriver, unscrew screws (Y) from panels (X) found within plates (U) on fixture ring (T). Inside panels (X), you will find wire connectors (W). Push wire connectors (W) into wire connector (N) found on one of the rods (Q-3/Q-4) until you hear a click. You may need to rearrange rods to ensure wire connectors are near one another for easy wiring connection. Tuck the connected wires on fixture ring (T) back into panels (X) and use screws (Y) and a screwdriver to secure wires back into the panels (X). Untwist finial (P) from the fixture's base (L). Once unscrewed, pull cup (O) off of the exposed nipple from the bottom of fixture base (L) to expose wire connector (W). Take the wire connector (N) from one of the rods (Q-3/Q-4) and push into wire connector (W) until you hear a click. Tuck the connected wires beneath the fixture base (L) and push cup (O) over the nipple, making sure the connected wires are secured within the cup (O). Secure cup (O) with connected wires (W & N) inside to the fixture base (L) using finial (P). Twist finial (P) onto the nipple until secure. Attach the fixture's wires to the house wires which were pulled earlier from the junction box through the mounting strap (A). Connect black to black (transparent wire with black inner thread or smooth); white to white (transparent wire with white inner thread or ribbed); ground to ground (green, transparent wire with green inner thread, or copper). Twist the ends of the wire pairs together, and then twist on a wire connector. Make sure all twists are in the same direction. If there is no ground wire (green or copper) coming from the junction box, locate ground screw (E) on the mounting strap and wrap the fixture's ground wire around the green ground screw (E). Use a screwdriver to secure ground screw (E) onto the mounting bracket. Tuck all wires neatly into the junction box.

FINISHING THE INSTALLATION

4. Push the canopy up to the ceiling and use side screws (C) to secure the canopy to the mounting bracket.

Install light bulbs (not provided) in accordance with the fixture's specifications. Do not exceed maximum recommended wattage.

Your installation is complete. Turn on the power and test the fixture.

CLEANING TIPS

Treat the fixture gently! Regular cleaning will reduce the need for deep cleaning. For regular cleaning, turn off the light and wipe down the fixture with a clean lint-free cotton or microfiber cloth. Never spray cleaner directly onto the fixture. For deep cleaning, turn off the light and remove the glass prior to cleaning. Hand wash glass with warm water and mild detergent. Dry with a lint-free or microfiber cloth.