

# Assembly Instructions: 1323-SF/M3 (Ella)

For Customer Service, please contact the place of purchase.

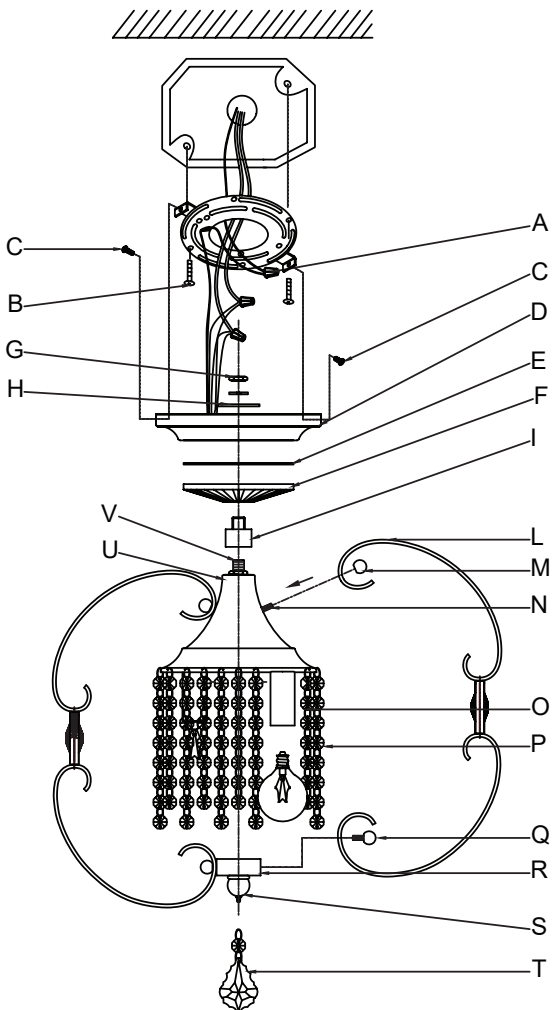
## IMPORTANT:

- ALL INSTALLATION WORK SHOULD BE DONE BY ACCREDITED PROFESSIONAL.
- SHUT OFF POWER SUPPLY AT FUSE OR CIRCUIT BREAKER!
- USE ONLY THE SPECIFIED BULBS. DO NOT EXCEED THE MAXIMUM WATTAGE!

Please note that the fixture may be hung as a pendant or a semi-flush. Please decide how you would like the fixture to be installed and refer to the related instructions.

## FLUSH INSTALLATION

Please note that there are two different mounting straps included with the fixture. In this configuration, please use the round mounting strap. Note: post (V) connects directly to canopy post (I). For pendant installation, please flip the page and review the diagram for more information).



## FINISHING THE INSTALLATION

4. Raise canopy (D,E,F) up to mounting strap (A). Match the locations of the holes in the canopy to the keyholes on mounting strap (A). Secure canopy (D,E,F) in place by threading decorative screws (C) into the keyholes on the sides of mounting strap (A). Carefully install light bulbs (not provided) in accordance with the fixture's specifications. Do not exceed the maximum recommended wattage.
5. Refer to the crystal installation sheet and carefully hang crystal strands (O) and (P) as depicted.
6. Arms (L) are unattached to the fixture's body. Thread decorative screws (M) into both posts (N). Thread decorative nuts (Q) into bottom cap (S). Attach the AA crystal drop (T) to finial (S).

Your installation is now complete. Turn on the power and test the fixture.

## CLEANING TIPS

Treat the fixture gently! Regular cleaning will reduce the need for deep cleaning. For regular cleaning, turn off the light and wipe down the fixture with a clean lint-free cotton or microfiber cloth. Never spray cleaner directly onto the fixture.

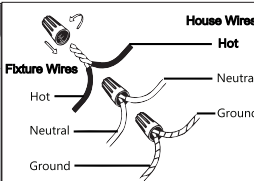
## PREPARING FOR INSTALLATION

Remove all of the contents from the carton. See the important notes above. Shut off the power at the circuit breaker and completely remove the old fixture from the ceiling, including the old mounting strap.

1. Mounting strap (A) contains several pairs of threaded holes. Find the pair of holes that matches the spacing of the holes on the junction box and your fixture's backplate. Keep in mind that you will need to line up the key holes of mounting strap (A) with the holes in canopy (D).
2. Pull the house wires through the center of mounting strap (A). Place mounting strap (A) over the junction and secure mounting strap (A) to the junction box with mounting screws (B) and a screwdriver. Tighten the screws securely. Assemble canopy (D,E,F) by securing the parts together onto top cap (I) using washers (H) and nut (G). Twist top cap (I) onto post (V) to connect the canopy and fixture.

## CONNECTING THE WIRES

3. Have an assistant support the fixture weight while completing the wiring. Cut away excess wire. Attach the fixture's wires to the power supply wires from the junction box. Connect black to black (or smooth); white to white (or ribbed); ground to ground (green or copper). Twist the ends of the wire pairs together, then twist on a wire connector. Make sure all twists are in the same direction. If there is no ground wire (green or copper) from the junction box, locate ground screw (E) on the mounting strap and wrap the fixture ground wire around the green ground screw (E). Use a screwdriver to secure ground screw (E) onto the mounting bracket. Tuck all wires neatly into the junction box.

How to Identify the Fixture's Wires			
Hot	Neutral	Ground	
Smooth	Ribbed	Bare Metal, Green, or Green Inner Thread	Hot
Black	White	Black Inner Thread	Neutral
Black Inner Thread	White Inner Thread	White Inner Thread	Ground

# Assembly Instructions: 1323-SF/M3 (Ella)

For Customer Service, please contact the place of purchase.

## IMPORTANT:

- ALL INSTALLATION WORK SHOULD BE DONE BY ACCREDITED PROFESSIONAL.
- SHUT OFF POWER SUPPLY AT FUSE OR CIRCUIT BREAKER!
- USE ONLY THE SPECIFIED BULBS. DO NOT EXCEED THE MAXIMUM WATTAGE!

Please note that the fixture may be hung as a pendant or a semi-flush. Please decide how you would like the fixture to be installed and refer to the related instructions.

## PENDANT INSTALLATION - PREPARING FOR INSTALLATION

Remove all of the contents from the carton. See the important notes above. Shut off the power at the circuit breaker and completely remove the old fixture from the ceiling, including the old mounting strap.

1. From the parts bag remove the mounting strap assembly. One end of nipple (X) should be attached to mounting strap (A) with a washer and hex nut in place. The other end should have canopy loop (G) attached. Attach mounting strap (A) to the junction box using mounting screws (B) and a screwdriver. Tighten securely. Unscrew canopy loop collar (H) from canopy loop (G). Pass the assembled canopy (D,E,F) over the mounted canopy loop (G). When installed correctly, approximately half of the canopy loop's exterior threads should be exposed, and the canopy loop collar should fit snugly onto the canopy loop. Remove canopy (D,E,F) and adjust the height of nipple (X) and canopy loop (G) until the desired height is reached.

2. Take the fixture's body out of the box. Top loop (J) is on the fixture's wires, but not attached to the body of the fixture. Pass the fixture's wires through top loop (J). Tighten spacer (K) onto post (V). Pull the wires until taut and thread top loop (J) onto the fixture's body. Measure to determine the correct number of chain links needed for proper hanging height. If necessary, use a pair of pliers to open and remove any excess chain. Attach one chain connector (I) to each end of chain (J). Use one of chain connectors (I) to attach the chain to top loop (J) and close the chain connector.

3. Feed the fixture's wires up through the chain (every three links or so), pulling the wires until taut. Slide canopy loop collar (H) and canopy (D,E,F) onto the chain/wire. Use the free chain connector (I) to attach the chain to canopy loop (G).

## CONNECTING THE WIRES

4. Have an assistant support the fixture weight while completing the wiring. Cut away excess wire. Attach the fixture's wires to the power supply wires from the junction box. Connect black to black (or smooth); white to white (or ribbed); ground to ground (green or copper). Twist the ends of the wire pairs together, then twist on a wire connector. Make sure all twists are in the same direction. If there is no ground wire (green or copper) from the junction box, locate ground screw (E) on the mounting strap and wrap the fixture's ground wire around the green ground screw (E). Use a screwdriver to secure ground screw (E) onto the mounting bracket. Tuck all wires neatly into the junction box.

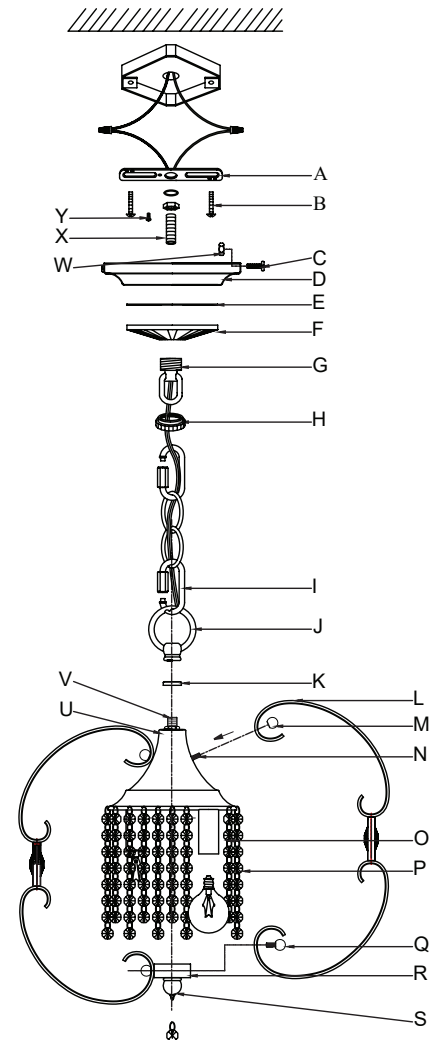
## FINISHING THE INSTALLATION

5. Push canopy (D,E,F) up to the ceiling and slide canopy loop collar (H) up beneath the canopy. Tightly thread canopy loop collar (H) onto canopy loop (G) to secure canopy (D,E,F) in place. Carefully install light bulbs (not provided) in accordance with the fixture's specifications. Do not exceed the maximum recommended wattage.

5. Refer to the crystal installation sheet and carefully hang crystal strands (O) and (P) as depicted.

6. Arms (L) are unattached to the fixture's body. Thread decorative screws (M) into both posts (N). Thread decorative nuts (Q) into bottom cap (S). Attach the AA crystal drop (T) to finial (S).

Your installation is complete. Turn on the power and test the fixture.



How to Identify the Fixture's Wires			
Hot	Neutral	Ground	
Smooth	Ribbed	Bare Metal, Green, or Green Inner Thread	Fixture Wires Hot Neutral Ground
Black	White	White Inner Thread	
Black Inner Thread	White Inner Thread		

## CLEANING TIPS

Treat the fixture gently! Regular cleaning will reduce the need for deep cleaning. For regular cleaning, turn off the light and wipe down the fixture with a clean lint-free cotton or microfiber cloth. Never spray cleaner directly onto the fixture.