

# Assembly Instructions: 9808-1W (Seaport)

## IMPORTANT:

- ALL INSTALLATION WORK SHOULD BE DONE BY ACCREDITED PROFESSIONAL.
- SHUT OFF POWER SUPPLY AT FUSE OR CIRCUIT BREAKER!
- USE ONLY THE SPECIFIED BULBS. DO NOT EXCEED THE MAXIMUM WATTAGE!

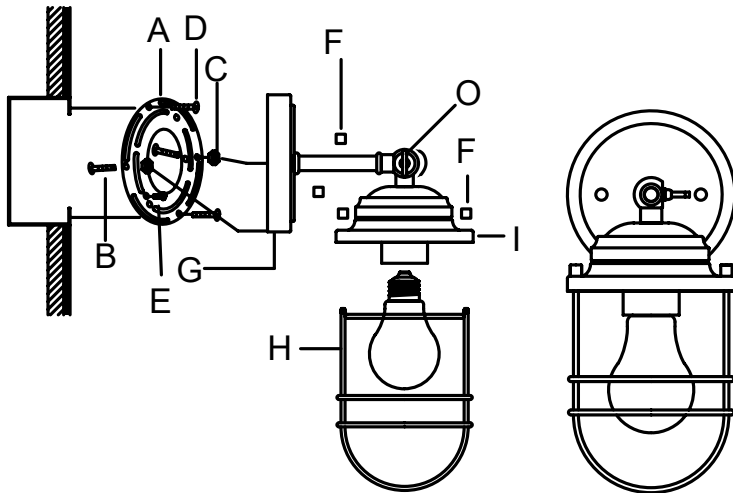
For Customer Service, please contact the place of purchase.

## PREPARING FOR INSTALLATION

Remove all of the contents from the carton. See the important notes above. Shut off the power at the circuit breaker and completely remove the old fixture from the wall, including the old mounting strap.

1. Mounting strap (A) may be attached to backplate (G). If the mounting strap is attached, remove deco nuts (F) to detach. The mounting strap contains several pairs of threaded holes. Find the pair of holes that matches the spacing of the holes on the junction box and your fixture's backplate. Test backplate (G) on mounting strap (A) to ensure that the backplate will hang straight and enough of the threads of mounting screws (B) will be exposed for deco nuts (F) to fit. Put the fixture aside for later.

2. Pull the house wires through the center of mounting strap (A). Place mounting strap (A) over the junction box so that mounting screws (D) may be inserted. Secure mounting strap (A) to the junction box with mounting screws (D) and a screwdriver. Tighten the screws securely.



## CONNECTING THE WIRES

3. Attach the fixture's wires to the power supply wires from the junction box. Connect black to black (or smooth); white to white (or ribbed); ground to ground (green or copper). Twist the ends of the wire pairs together, then twist on a wire connector. Make sure all twists are in the same direction. If there is no ground wire (green or copper) from the junction box, locate ground screw (E) on mounting strap (A) and wrap the fixture's ground wire around the green ground screw (E). Use a screwdriver to secure ground screw (E) onto the mounting bracket. Tuck all wires neatly into the junction box.

How to Identify the Fixture's Wires		
Hot	Neutral	Ground
Smooth	Ribbed	Bare Metal, Green, or Green Inner Thread
Black	White	
Black Inner Thread	White Inner Thread	

## FINISHING THE INSTALLATION

4. Place the fixture's backplate (G) over mounting strap (A) so that the holes in mounting strap (A) line up with the holes in backplate (G).
5. Thread deco nuts (F) onto the exposed threads of mounting screws (B) until backplate (G) is snug against the wall.
6. Install a light bulb (not provided) based on the fixture's specifications. Do not exceed the maximum wattage.
7. Slide metal cage (H) up to the bottom of cap (I). Secure the metal cage in place with the remaining decorative nuts (F).

Please note that you can move the light source at joint (O) to adjust the angle of the light source.

Your installation is complete. Turn on the power and test the fixture.

## CLEANING TIPS

Treat the fixture gently! Regular cleaning will reduce the need for deep cleaning. For regular cleaning, turn off the light and wipe down the fixture with a clean lint-free cotton or microfiber cloth. Never spray cleaner directly onto the fixture.