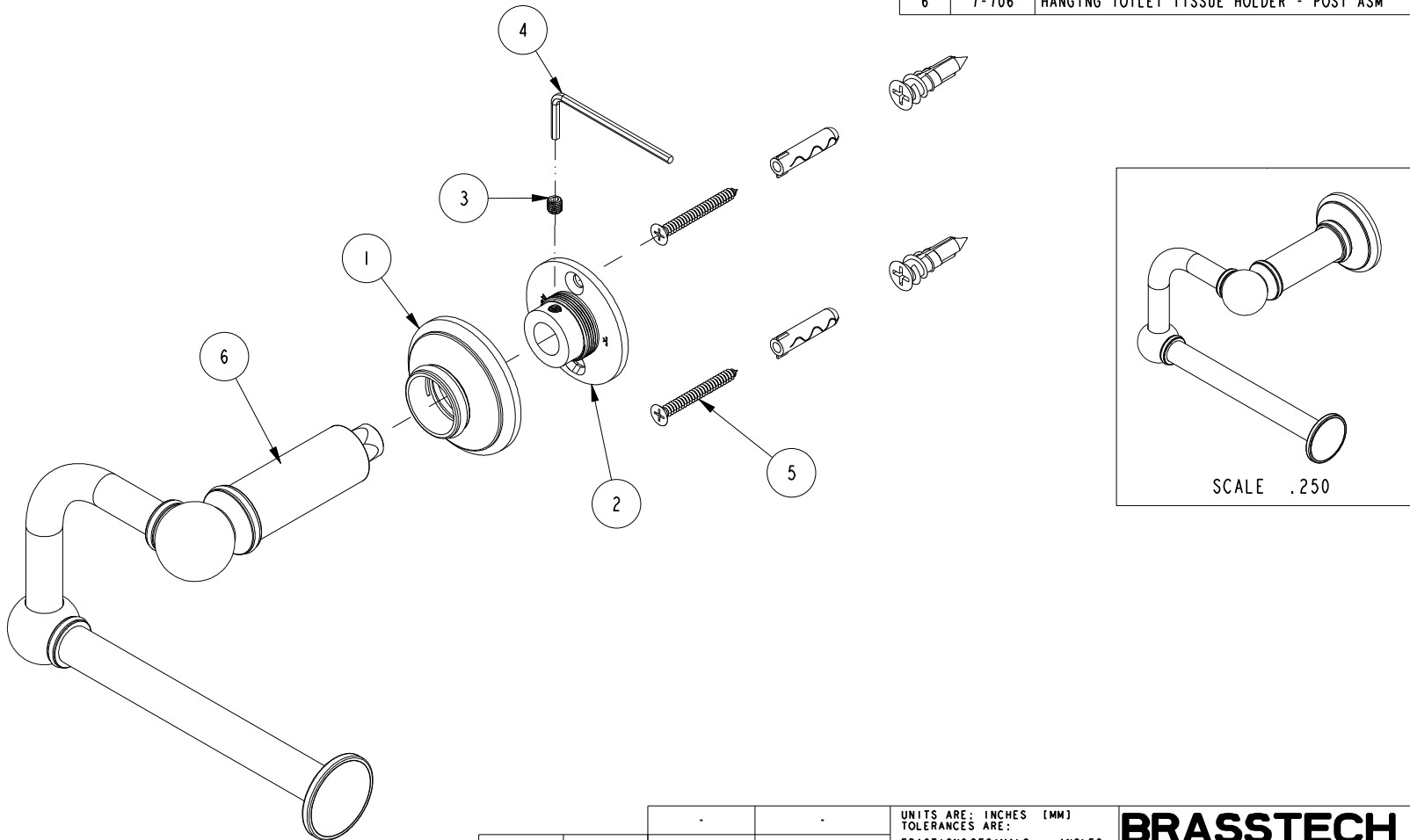


NOTES:

(NI) 1. FIT / FORM / FUNCTION SHALL FOLLOW PS-E.008.

BILL OF MATERIAL (CURRENT LEVEL)

ITEM	PT/ASSY	DESCRIPTION	TYPE	QTY.
1	40460	ROSETTE	PART	1
2	45XX	MOUNTING FLANGE	PART	1
3	92308	SCRW, M5 X 5 SKT HD CUP PT W/ SELF LOC SS	PART	1
4	10888	HEX KEY, 2.5MM ALLOY STEEL	PART	1
5	1-206	HARDWARE PACK	ASSEMBLY	1
6	7-706	HANGING TOILET TISSUE HOLDER - POST ASM	ASSEMBLY	1



-	C	EN-4098	02/21/20	R.S.
-	B	EN-4032	11/25/19	R.S.
-	A	-	04/06/07	-
ZONE	REV	DESCRIPTION	DATE	APPROVED

COPYRIGHT 2005 BRASSTECH, INC. THESE DRAWINGS AND THE DESIGNS DEPICTED HEREIN ARE THE PROPRIETARY PROPERTY OF BRASSTECH. ANY USE OR REPRODUCTION IS SUBJECT TO THE EXPRESS APPROVAL OF BRASSTECH. UNAUTHORIZED USE IS STRICTLY PROHIBITED. ALL RIGHTS RESERVED.

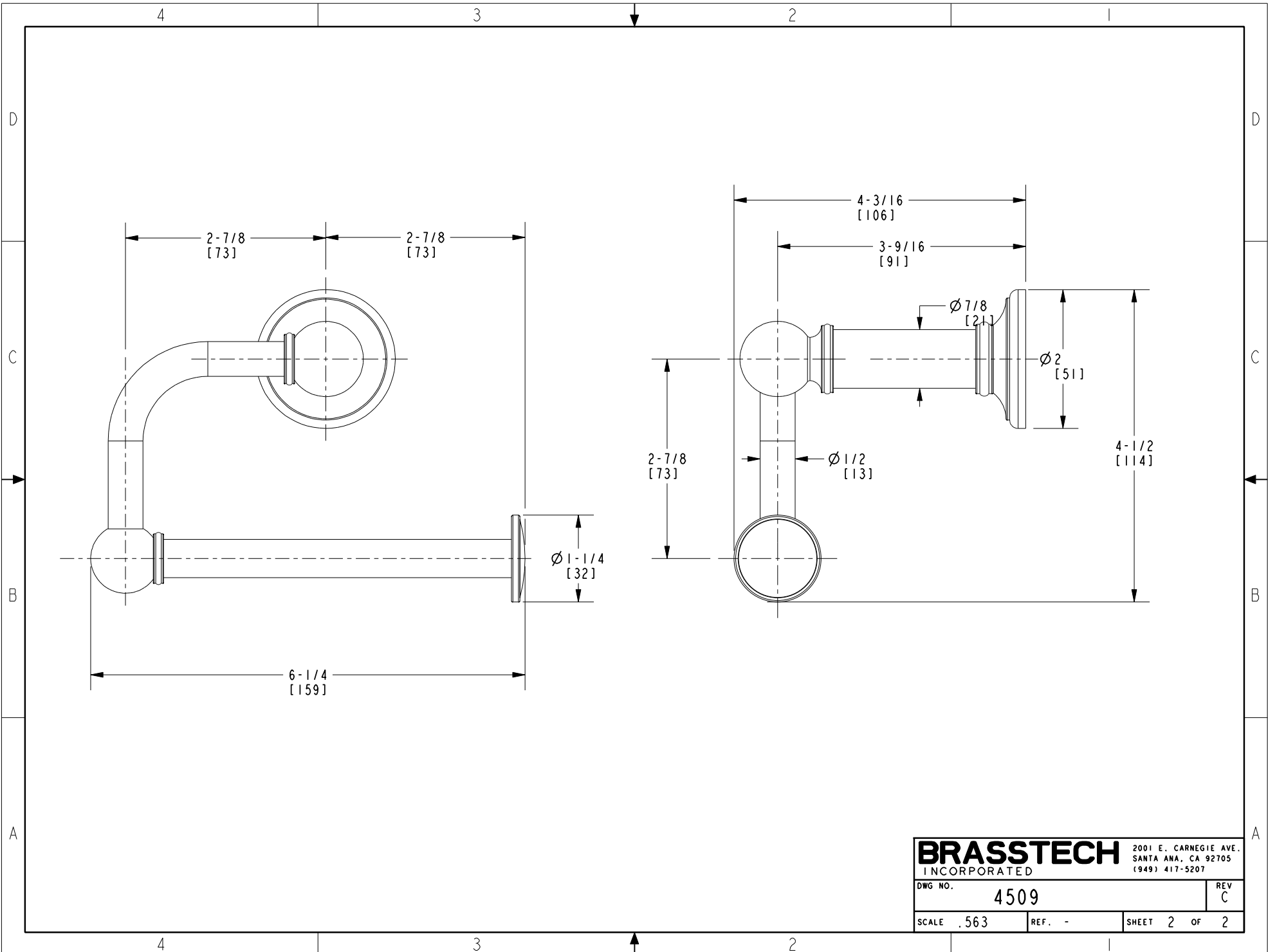
TESTING	-	-	-
ASSEMBLY	-	-	-
PLATING	-	-	-
POLISHING	-	NEXT ASSY	USED ON
MACHINING	-	APPLICATION	
TOOLING FIXTURE #	REMOVE ALL BURRS AND SHARP EDGES		

UNITS ARE: INCHES [MM]	
TOLERANCES ARE:	
FRACTIONS	DECIMALS
±1/16"	.X ±.1 [2.5]
	.XX ±.06 [1.5]
(X.XXX) DENOTES CRITICAL DIMS.	
ALL THREADS ARE CRITICAL	
DRAWN	R.S. 12/09/11
CHECKED	R.S. 12/09/11
APPROVED	R.S. 12/09/11

BRASSTECH 2001 CARNEGIE AVE.
INCORPORATED SANTA ANA, CA 92705
(949) 417-5207

HANGING TOILET TISSUE HOLDER

DWG NO.	4509	REV	C
SCALE	.438	REF.	-
SHEET	1	OF	2



BRASSTECH		2001 E. CARNEGIE AVE. SANTA ANA, CA 92705 (949) 417-5207	
DWG NO.	4509	REV	C
SCALE	.563	REF.	-
		SHEET	2 OF 2