

P6180201, P6180202 - Shower Only Trim

Description

- Shower trim assembly
- Metal lever handle
- 3" diameter shower head
- 1 Setting shower head
- 1.5 GPM ASME Compliant
- VALVE SOLD SEPARATELY

Standards

- Complies with IAPMO UPC/cUPC
- ADA Accessibility Guidelines for Buildings and Facilities - 4.27.4 Controls and Mechanisms
- CALGreen compliant



• P6180201

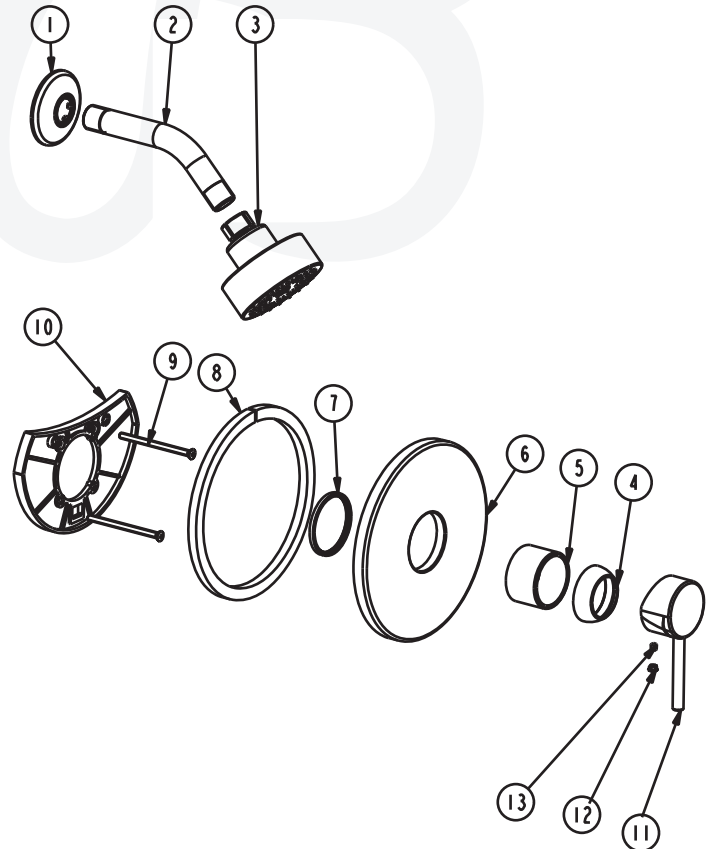


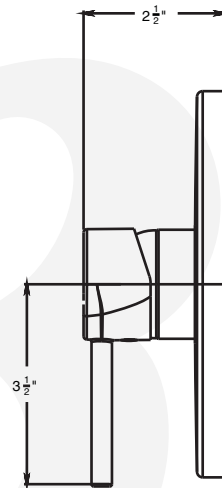
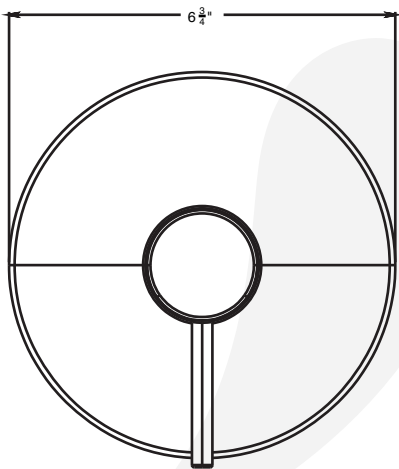
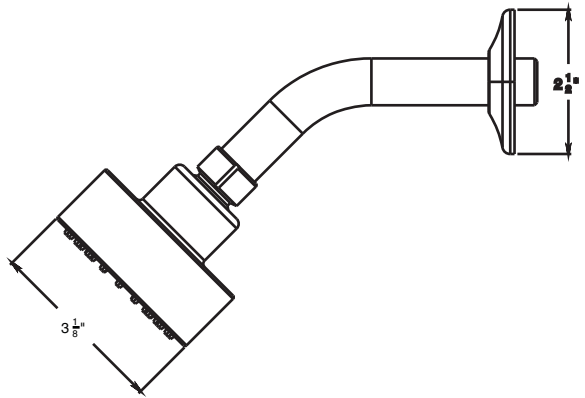
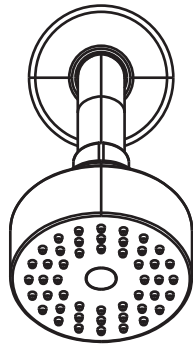
Colors / Finishes

- P6180201 - Chrome
- P6180202 - PVD Satin Nickel

**BREAK DOWN
Component Parts List**

13	CTST4101	1
12	CTCP0072	1
11	CTHZ0258	1
10	CTKP0102	1
9	CTST0230	2
8	CTWR0063	1
7	CTRR0123	1
6	CTCP0293	1
5	CTCB0670	1
4	CTCP0192	1
3	ATBE0152	1
2	CTPT0014	1
1	CTCT0070	1
NO.	Drawing No.	Quantity





Item Number	Type	Date
P6180201, P6180202	SHOWER ONLY TRIM	11/18/2015