

S7881301, S7881302 - Free Standing Tub Filler Faucet

Description

- Free standing tub filler with handshower
- Ceramic disc cartridge
- 18 GPM @ 60 PSI
- Push - Pull Diverter
- Round handshower
- Adjustable handshower holder

Standards

- ASME A112.18.1 Compliant
- Listed IAPMO / UPC & CUPC
- ADA Accessibility Guidelines for Buildings and Facilities - 4.27.4 Controls and Mechanisms



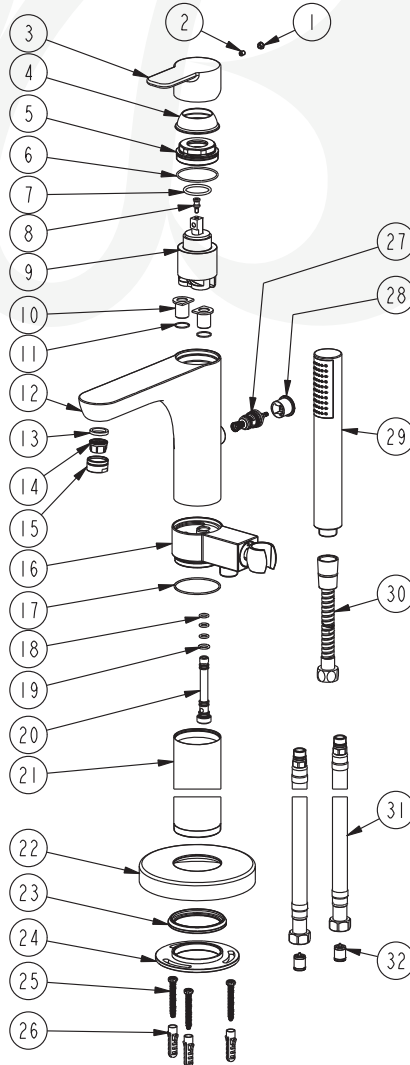
Colors / Finishes

- S7881301 - Chrome
- S7881302 - PVD Satin Nickel

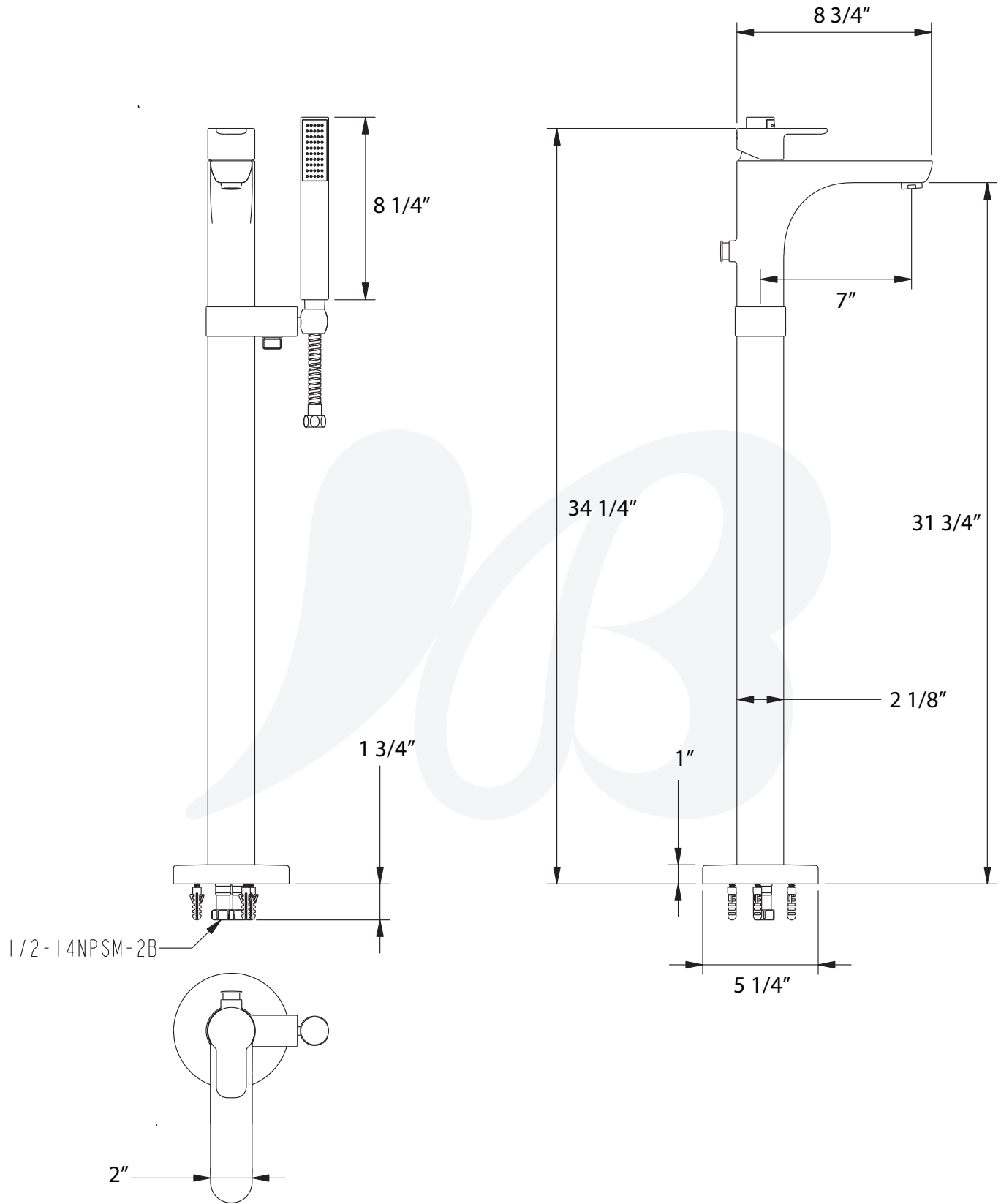


Component Parts List

32	ATBA0243	2
31	ATBP0460	2
30	ATBP0412	1
29	ATBE0121	1
28	CTHZ0512_P4	1
27	ATBA0221_P4	1
26	CPQP0004	3
25	CTST0114	3
24	CTDB0568	1
23	CTWR0405	1
22	CTCT0115	1
21	CTPB0616	1
20	CTST0274	1
19	CTRR0022	1
18	CTRR0165	3
17	CTRR0239	1
16	ATBD0141	1
15	CTXB0053	1
14	CTOP0054	1
13	CTWR0183	1
12	CTYB0731	1
11	CTRR0264	2
10	CTCB0874	2
9	ATBA0260	1
8	CTST0205	1
7	CTRR0050	1
6	CTRR0060	1
5	CTKB0146	1
4	CTCB0774	1
3	CTHZ0611	1
2	CTST0117	1
1	CTCP0072	1



SPECIFIED MODEL



Item Number	Type	Date
57881301, 57881302	Tub Filler	10/10/2017