

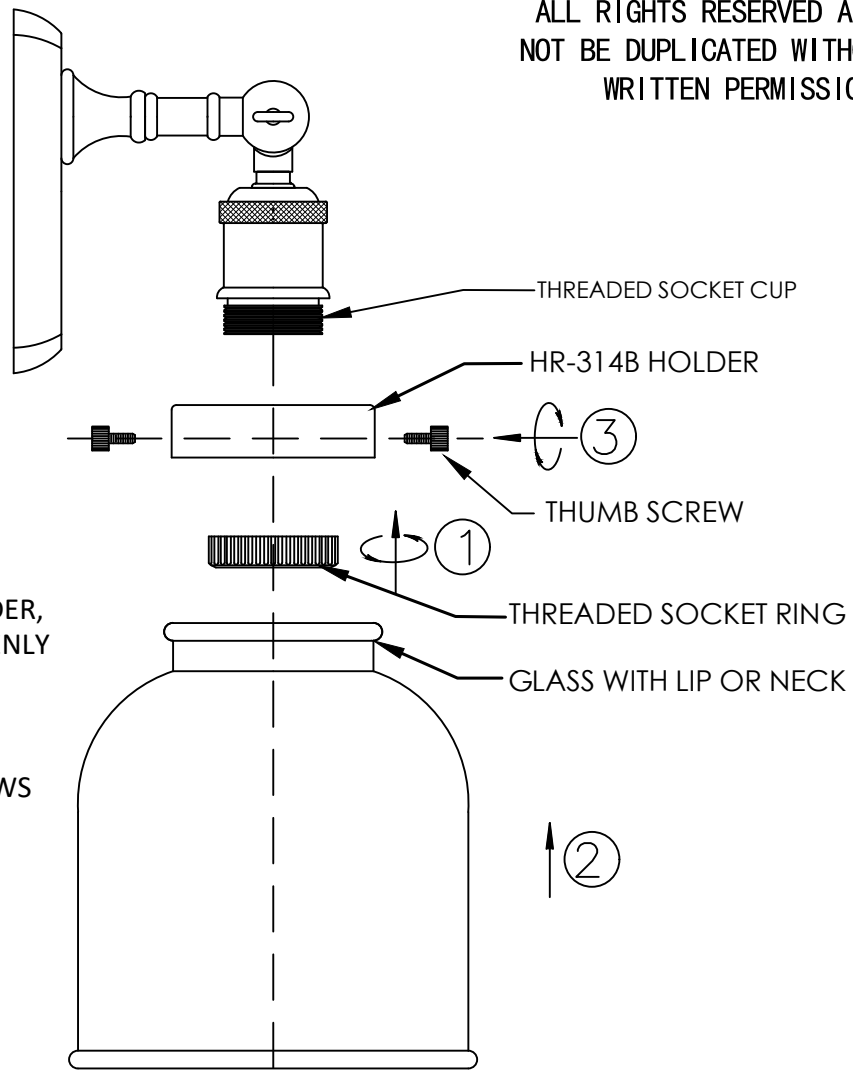
DESIGN COPYRIGHT - 07/18/2022
ALL RIGHTS RESERVED AND MAY
NOT BE DUPLICATED WITHOUT OUR
WRITTEN PERMISSION

FRANKLIN ASSEMBLY

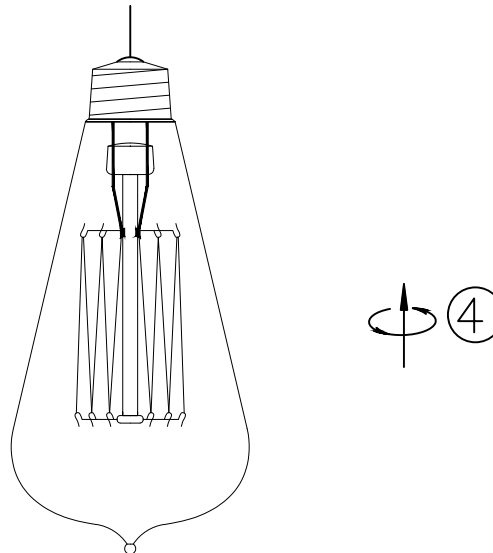
ATTACH THE HR-314B HOLDER TO
THREADED SOCKET CUP USING
THREADED SOCKET RING,

SLIDE SHADE INTO THE HR-314B HOLDER,
TIGHTEN THE (3) THUMB SCREWS EVENLY
TO HOLD GLASS IN PLACE

DO NOT OVER TIGHTEN THUMB SCREWS
TO AVOID BREAKING THE GLASS



SHADE STYLE AND BULB OPTIONAL.



IF THE GLASS YOU SELECTED HAS A LIP OR NECK THE
HR-314B HOLDER IS NEEDED TO ATTACH THE GLASS

OPTIONAL SHADE STYLES WITH LIP OR NECK

