

KICHLER®

52" Chiara LED

Product images may vary slightly from actual product.



INSTRUCTION MANUAL

TABLE OF CONTENTS

SAFETY RULES	4	INSTALLING THE MOTOR HOUSING	11
TOOLS REQUIRED	5	INSTALLING THE SWITCH HOUSING	12
PACKAGE CONTENTS	5	INSTALLING THE LED LIGHT KIT AND SHADE	13
MOUNTING OPTIONS	6	INSTALLING THE WALL CONTROL	14
HANGING THE FAN	7	CONTROL SYSTEM SET-UP.....	15
INSTALLATION OF SAFETY SUPPORT	8	OPERATING INSTRUCTIONS	15
ELECTRICAL CONNECTIONS	9	TROUBLESHOOTING.....	16
FINISHING THE INSTALLATION	10	FCC WARNING.....	17

SAFETY RULES

1. To reduce the risk of electric shock, insure electricity has been turned off at the circuit breaker or fuse box before beginning.
2. All wiring must be in accordance with the National Electrical Code and local electrical codes. Electrical installation should be performed by a qualified licensed electrician.
3. **WARNING:** To reduce the risk of fire or electric shock, use only the control provided with the fan.
4. **WARNING:** To reduce the risk of fire, electric shock, or personal injury, mount to outlet box UL-listed marked "Acceptable for fan support of 15.9 kg (35 lbs) or less and use mounting screws provided with the outlet box and/or support directly form building structure. Most outlet boxes commonly used for the support of luminaires are not acceptable for fan support and may need to be replaced, consult a qualified electrician if in doubt.

WARNING: TO REDUCE THE RISK OF FIRE, ELECTRIC SHOCK OR PERSONAL INJURY, MOUNT FAN TO OUTLET BOX MARKED "ACCEPTABLE FOR FAN SUPPORT".

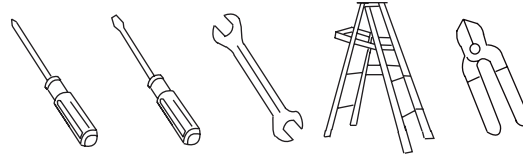
5. The outlet box and support structure must be securely mounted and capable of reliably supporting a minimum of 35 pounds. Use only CUL Listed outlet boxes marked "FOR FAN SUPPORT".
6. The fan must be mounted with a minimum of 7 feet clearance from the trailing edge of the blades to the floor.
7. Do not operate reversing switch while fan blades are in motion. Fan must be turned off and blades stopped before reversing blade direction.

8. Avoid placing objects in the path of the blades.
9. To avoid personal injury or damage to the fan and other items, be cautious when working around or cleaning the fan.
10. Do not use water or detergents when cleaning the fan or fan blades. A dry dust cloth or lightly dampened cloth will be suitable for most cleaning.
11. After making the electrical connections, spliced conductors should be turned upward and pushed carefully up into outlet box. The wires should be spread apart with the ground wire and white (common) wire to one side with the black (load) wire to the other side of the outlet box.

WARNING: TO REDUCE THE RISK OF PERSONAL INJURY, DO NOT BEND THE BLADE BRACKETS (ALSO REFERRED TO AS FLANGES) DURING ASSEMBLY OR AFTER INSTALLATION. DO NOT INSERT OBJECTS IN THE PATH OF THE BLADES.

TOOLS REQUIRED

- Phillips screwdriver
- Blade screwdriver
- 11 mm wrench
- Step ladder
- Wire cutters

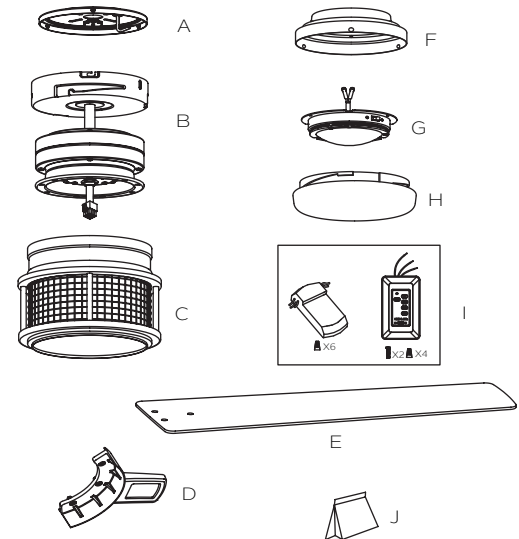


PACKAGE CONTENTS

Unpack your fan and check the contents . You should have the following items:

- A. Mounting Plate
- B. Motor Body
- C. Motor Housing
- D. Blade Bracket(3)
- E. Fan Blade (3)
- F. Switch Housing
- G. LED Light Kit
- H. Shade
- I. Wall Control System

- J. Package hardware
- 1) Mounting hardware :
Wood screw (2) ,Flat Washer (2) , Screw (2) ,
Lock washer (2), Wire Connector (3)
- 2) Blade attachment hardware :
Screw (11) , Fiber Washer (11)
- 3) Safety cable hardware :
Wood screw (1) ,Spring washer (1),
Flat washer (1)
- 4) Balance kit
- 5) Blade Bracket hardware screw(2)



MOUNTING OPTIONS

If there isn't an existing UL (cUL for Canadian Installation) listed mounting box, then read the following instructions. Disconnect the power by removing fuses or turning off circuit breakers.

Secure the outlet box directly to the building structure. Use appropriate fasteners and building materials. The outlet box and its support must be able to fully support the moving weight of the fan (at least 50 lbs). Do not use plastic outlet boxes.

Figures 1, 2 and 3 are examples of different ways to mount the outlet box.

NOTE: Fig.3 is only for fan with downrod hanging system.

NOTE: If you are installing the ceiling fan on a sloped (vaulted) ceiling, you may need a longer downrod to maintain proper clearance between the tip of the blade and the ceiling. A minimum clearance of 12" is suggested for optimal operation.

NOTE: Depending on the location you have selected for installation, you may need to purchase and install a "Joist Hanger" for the support of the outlet box. Make sure the joist hanger you purchase has been designed for use with ceiling fans. (Fig. 4)

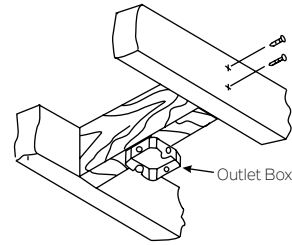


Fig. 1

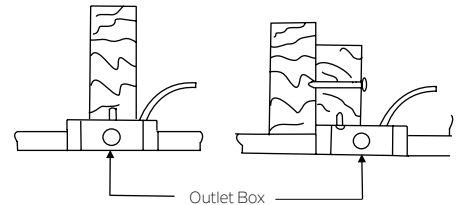


Fig. 2

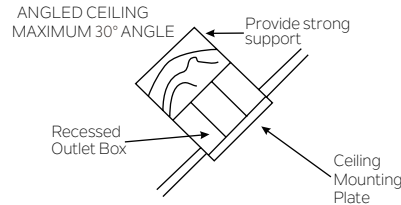


Fig. 3

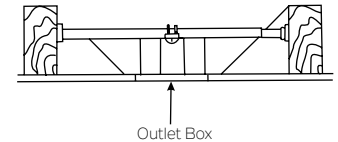


Fig. 4

HANGING THE FAN

REMEMBER to turn off the power before you begin installation. This is necessary for your safety and also the proper programming of the control system. To properly install your ceiling fan, follow the steps below.

Step 1. Before attaching fan to outlet box (not included), ensure the outlet box is securely fastened to at least two points to a structural ceiling member (a loose box will cause the fan to wobble). Pass the 120 volt supply wires from the ceiling outlet box through the center of the ceiling mounting plate. Install mounting plate to outlet box in ceiling using the screws and washers included with the outlet box or screws and washers in the hardware bag. (Fig. 5)

Step 2. Hook the motor body onto the mounting plate as shown. You can now proceed with the electrical wiring of your fan. (Fig. 6)

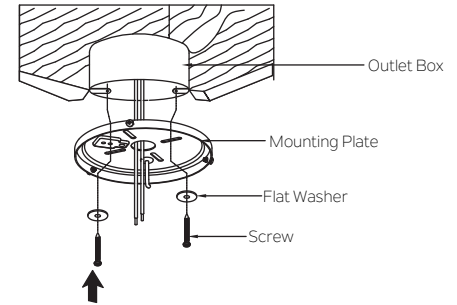


Fig. 5

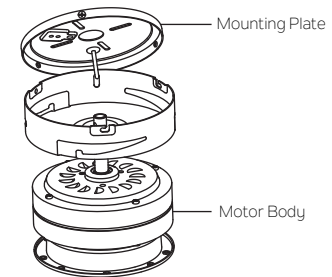


Fig. 6

INSTALLATION OF SAFETY SUPPORT (required for Canadian installation ONLY)

A safety support cable is provided to help prevent the ceiling fan from falling, please install it as follows.

Step 1. Drive a wood screw and washers into the side of the brace that holds the outlet box. Leave 3mm (1/8") of space between the support brace and the washer. (Fig. 7)

Step 2. Insert the safety cable through the mounting plate and one of the holes in the outlet box into the ceiling. Adjust the length of the safety cable to reach the screw and washers by pulling the extra cable through the cable clamp until the overall length is correct, put the end of the cable back through the cable clamp, forming a loop at the end of the cable. Tighten the cable clamp securely. Now, put the loop in the end of the safety cable over the wood screw and under the washer. Tighten the wood screw securely. (Fig. 8)

NOTE: Although the safety support cable is required for Canadian installations only. It's a good idea to make the attachment with any installation.

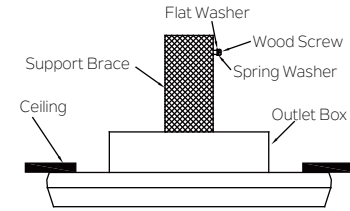


Fig. 7

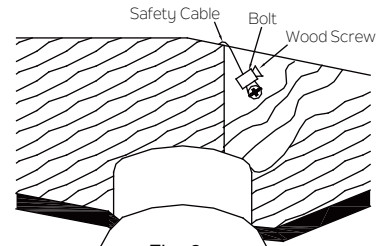


Fig. 8

MAKE THE ELECTRICAL CONNECTIONS

WARNING: To avoid possible electrical shock, be sure you have turned off the power at the main circuit panel before wiring. Follow the steps below to connect the fan to your household wiring. Use the wire connecting nuts supplied with your fan. Secure the connector with electrical tape. Make sure there are no loose wire stands or connections.

WARNING: If your house wires are different colors than referenced in this manual, stop immediately. A professional electrician is recommended to determine proper wiring.

Step 1. Motor to Receiver Electrical Connections:

Connect the BLACK wire from the fan to BLACK wire marked "TO MOTOT L" from the receiver.

Connect the WHITE wire from the fan to the WHITE wire marked "TO MOTOR N" from the receiver.

Connect the BLUE wire from the fan to the BLUE wire marked "FOR LIGHT " from the receiver.

Secure all the wire connections with the plastic wire connectors provided. (Fig. 9)

Step 2. Remote Receiver to Outlet Box Electrical Connections:

Connect the BLACK (hot) wire from the ceiling to the BLACK wire marked "AC IN L" from the receiver.

Connect the WHITE (Neutral) wire from the ceiling to the WHITE wire marked " AC IN N" from the receiver.

Step 3. Ground wires connections:

Connect the GROUND wire from outlet box to the GREEN wires from the fan and mounting plate.(Fig. 9)

Secure the wire connections with the plastic wire connectors provided .(Fig. 9)

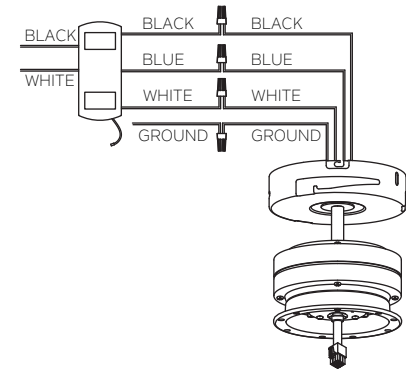


Fig. 9

MAKE THE ELECTRICAL CONNECTIONS

Step 4. Peel off the liner paper on the receiver, secure the receiver in place on the mounting plate cover, and keep flat in opposition of ceiling. (Fig. 10)

NOTE: Carefully tuck the wire connections up into the outlet box.

NOTE: Fan must be installed at a maximum distance of 30 feet from the transmitting unit for proper signal transmission between the transmitting unit and the fan's receiving unit.

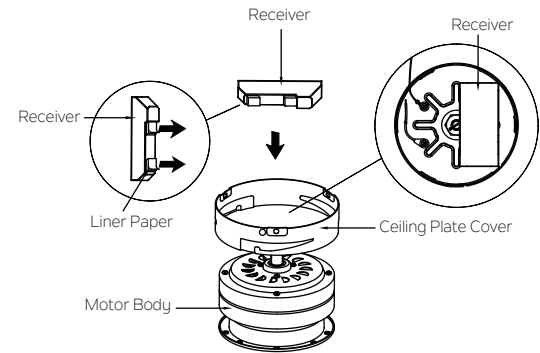


Fig. 10

FINISHING THE INSTALLATION

NOTE: Before continuing, make sure the power is disconnected by turning off the circuit breaker or removing the fuse at the circuit box.

Step 1. Remove the screw marked with a dot label pre-installed on mounting plate and keep for later use. Loosen the other two (do not remove). (Fig. 11)

Step 2. Lift up the motor body onto the mounting plate, place the two slot holes on the mounting plate cover over the 2 screws previously loosened from the mounting plate. Rotate the mounting plate cover until it locks in place at the narrow end of the key holes. Secure by tightening the 2 screws and the one previously removed. (Fig. 11)

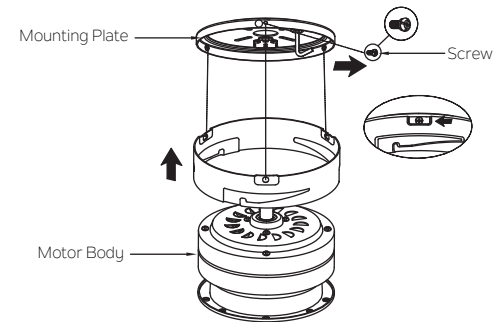


Fig. 11

INSTALLING THE MOTOR HOUSING

NOTE: Before continuing, make sure the power is disconnected by turning off the circuit breaker or removing the fuse at the circuit box.

Step 1. Align the tabs inside the motor housing with the slots on the mounting plate cover. Screw the motor housing onto the mounting plate cover clockwise.

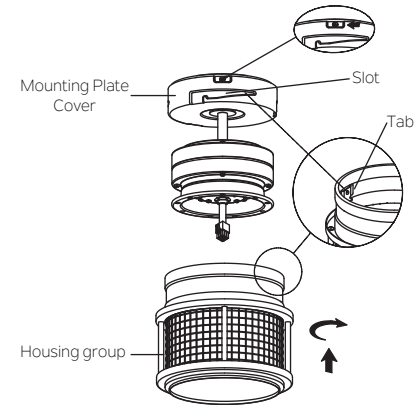


Fig. 12

ATTACHING THE FAN BLADES

NOTE: Before continuing, make sure the power is disconnected by turning off the circuit breaker or removing the fuse at the circuit box.

Step 1. Position the blade over the blade bracket with threaded posts showing. Make sure the bottom edge of the blade is fully seated against the blade bracket. With a Phillips screwdriver, start a blade screw and washer into the blade bracket (do not tighten) and repeat for the 2 remaining blade screws and washers. Tighten each screw securely starting with the center screw. Make sure the blade is straight. Repeat steps for the remaining blades. (Fig. 13)

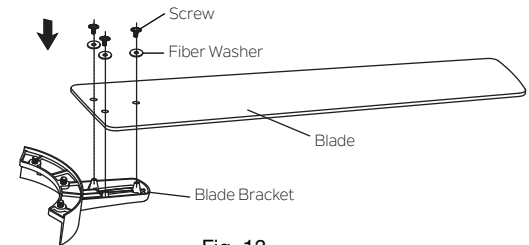


Fig. 13

ATTACHING THE FAN BLADES

Step 2. Fasten blade assembly to the holes located on the bottom of the flywheel. Tighten the two "pre- installed" motor screws in the blade bracket. Repeat steps for the remaining blades assemblies.(Fig. 14)

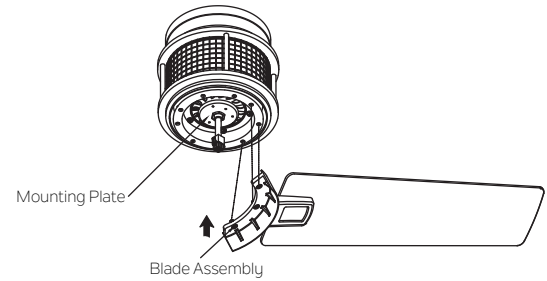


Fig. 14

INSTALLING THE SWITCH HOUSING

NOTE: Before continuing , make sure the power is disconnected by turning off the circuit breaker or removing the fuse at the circuit box.

Step 1. Remove one of the screw preinstalled on mounting plate and keep for later use. Loosen the other two (do not remove). Place the two slot holes on the switch housing over the 2 screws previously loosened from the mounting plate. Rotate the switch housing until it locks in place at the narrow end of the key holes. Securely by tightening the 2 screws previously loosened and the one previously removed. (Fig. 15)

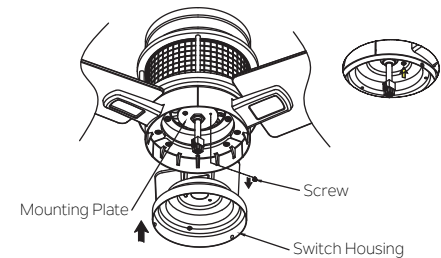


Fig. 15

INSTALLING THE LIGHT KIT AND SHADE

NOTE: Before continuing installation, confirm that the power is still turned off at the main circuit breaker or by removing the circuit fuse. Turning the power off using a wall switch is not sufficient to prevent electrical shock.

Step 1. Remove three(3) screws preinstalled on outer side of switch housing and keep for use later. (Fig. 16)

Step 2. Attach the connector from the LED light kit to the connector from motor assembly.(Fig.16)

NOTE: The two connectors have keyholes that must be mated correctly before they can be engaged.

Step 3. Tuck the connections neatly into the light kit. Align three round holes on the light kit and switch housing. Securely tighten with 3 screws removed on step 1.(Fig.16)

Step 4. Secure the shade to switch housing by twisting in a clockwise direction. Do not over-tighten. (Fig. 17)

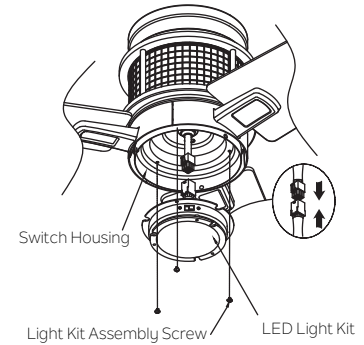


Fig. 16

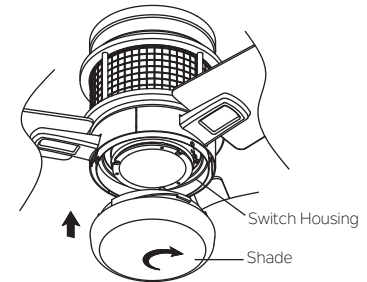


Fig. 17

INSTALLING THE WALL CONTROL

All wiring must be in accordance with the National Electrical Code and local electrical codes. Electrical installation should be performed by a qualified licensed electrician. Select a location to install your wall control. You can replace an existing wall switch, or install the wall control on ANY flat surface.

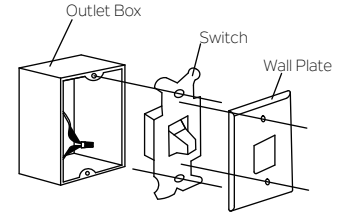


Fig. 18

NOTE: SWITCH INSTALLATION MUST COMPLY WITH ALL LOCAL AND NATIONAL ELECTRIC CODE .

Step 1. Remove the existing wall plate and the old switch from the wall outlet box. Wire nut the BLACK leads (hot) together and push back inside the outlet box. (Fig. 18) or select the desired location with a new wall outlet box.

Step 2. Use the screws provided to secure the wall control to the outlet box.(Fig. 19)

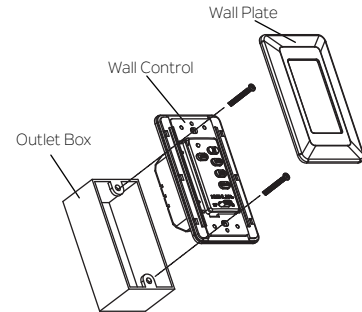


Fig. 19

CONTROL SYSTEM SET-UP

Step 1. After installation is complete, press the LEARN button for 3 seconds within 30 seconds once AC power is turned on. Fan will turn on at medium speed and light (if installed) will turn on. This confirms that the SMART SYNC setting is active and ok. (Fig. 20)

Step 2. If you cannot finish the setting within the 30 seconds time frame, the main power must be turned off and re-started again. This will repeat step 1 until the LEARN feature is activated as indicated.

OPERATING INSTRUCTIONS

Restore power to ceiling fan and test for proper operation (Fig. 20)

1. Fan Control: To start the fan. Press the selected speed button to run the fan at the desired speed: Hi-high speed; MED-medium speed; LOW-low speed; Press the "FAN OFF" button to turn off the fan.

2. Light button: Press once to turn the light on or off. Continuous pressure on the light button dims light in a continuous cycle from light to dark, or dark to light.

3. If your ceiling fan has fluorescent lighting, please slide the switch to "O" position. If the ceiling fan has incandescent or halogen lighting or LED, please slide the switch to "D" position.

4. REV switch: Controls direction, forward or reverse. (Fig. 21)

NOTE: The reverse switch is located on the LED light kit, remove the shade to access the switch. Slide reverse switch to change fan rotation.

NOTE: Wait for fan to stop and shade to be cool before reversing the direction of the blade rotation.

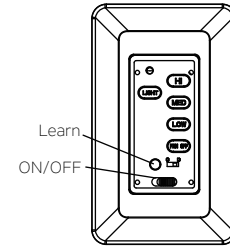


Fig. 20

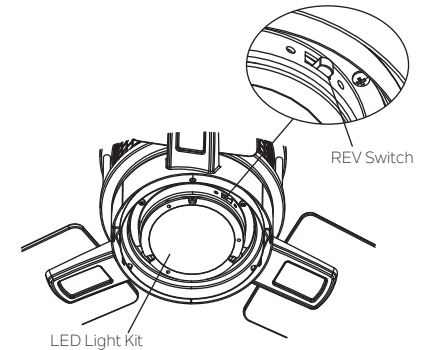


Fig. 21

TROUBLESHOOTING

Problem

Solution

Fan will not start.

1. Check circuit fuses or breakers.
2. Check all electrical connections to insure proper contact. **CAUTION:** Make sure the main power is OFF when checking any electrical connection.
3. Make sure the transmitter batteries are installed properly. Positive (+) side facing out.
4. Insure the batteries have a good charge.

Fan sounds noisy.

1. Make sure all motor housing screws are snug.
2. Make sure the screws that attach the fan blade brackets to the motor are tight.
3. Make sure wire nut connections are not rubbing against each other or the interior wall of the switch housing. **CAUTION:** Make sure main power is off.
4. Allow a 24-hour "breaking-in" period. Most noise associated with a new fan disappear during this time.
5. If using an optional light kit, make sure the screws securing the glassware are tight. Make sure the light bulbs are not touching any other component.
6. Do not connect this fan to a wall mounted variable speed control(s). They are not compatible with ceiling fan motors or remote controls.
7. Make sure the upper canopy has a short distance from the ceiling. It should not touch the ceiling.

Fan wobble.

1. Check that all blade and blade arm screws are secure.
2. Most fan wobbling problems are caused when blade levels are unequal. Check this level by selecting a point on the ceiling above the tip of one of the blades. Measure this distance. Rotate the fan until the next blade is positioned for measurement. Repeat for each blade. The distance deviation should be equal within 1/8".
3. Use the enclosed Blade Balancing Kit if the blade wobble is still noticeable.
4. If the blade wobble is still noticeable, interchanging two adjacent (side by side) blades can redistribute the weight and possibly result in smoother operation.

TROUBLESHOOTING

Problem

Solution

Remote control malfunction.

1.Ceiling Fans with remote control systems CAN NOT be operated in conjunction with any other control system EXCEPT a basic On/Off wall switch, if desired.

FCC WARNING

This device complies with part 15 of the FCC Rules. Operation is subject to the following two conditions:

(1) This device may not cause harmful interference, and (2) this device must accept any interference received, including interference that may cause undesired operation.

Changes or modifications not expressly approved by the party responsible for compliance could void the user's authority to operate the equipment.

NOTE: This equipment has been tested and found to comply with the limits for a Class B digital device, pursuant to part 15 of the FCC Rules. These limits are designed to provide reasonable protection against harmful interference in a residential installation. This equipment generates, uses and can radiate radio frequency energy and, if not installed and used in accordance with the instructions, may cause harmful interference to radio communications. However, there is no guarantee that interference will not occur in a particular installation. If this equipment does cause harmful interference to radio or television reception, which can be determined by turning the equipment off and on, the user is encouraged to try to correct the interference by one or more of the following measures:

Reorient or relocate the receiving antenna, increase the separation between the equipment and receiver, and connect the equipment into an outlet on a circuit different from that to which the fan is connected.

KICHLER®

www.kichler.com

KICHLER® LIGHTING LLC

7711 EAST PLEASANT VALLEY ROAD P.O. BOX 318010

CLEVELAND, OHIO 44131-8010

CUSTOMER SERVICE 866.558.5706

8:30 AM TO 5:00 PM EST, MONDAY - FRIDAY

KICHLER®

52" Chiara LED

Las imágenes pueden variar levemente respecto del producto real.



MANUAL DE INSTRUCCIONES

ÍNDICE

NORMAS DE SEGURIDAD.....	4	INSTALACIÓN DE LA CARCASA DEL MOTOR	11
HERRAMIENTAS REQUERIDAS.....	5	INSTALACIÓN DE LA CAJA DE INTERRUPTORES	12
CONTENIDOS DEL ENVASE	5	INSTALACIÓN DEL KIT DE ILUMINACIÓN LED Y LA PANTALLA	13
OPCIONES DE MONTAJE.....	6	INSTALACIÓN DEL CONTROL DE PARED	14
CÓMO COLGAR EL VENTILADOR.....	7	CONFIGURACIÓN DEL SISTEMA DE CONTROL.....	15
INSTALACIÓN DEL SOPORTE DE SEGURIDAD .	8	INSTRUCCIONES DE FUNCIONAMIENTO	15
CONEXIONES ELÉCTRICAS.....	9	LOCALIZACIÓN Y RESOLUCIÓN DE PROBLEMAS.....	16
FINALIZACIÓN DE LA INSTALACIÓN.....	10	ADVERTENCIA DE LA FCC.....	17

NORMAS DE SEGURIDAD

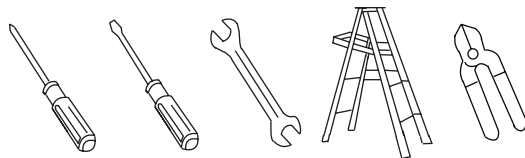
1. Para reducir el riesgo de descarga eléctrica, asegúrese de haber cortado el suministro de energía desde el disyuntor o la caja de fusibles antes de comenzar.
2. Todo el cableado debe realizarse conforme a lo establecido por el Código Eléctrico Nacional y a los códigos eléctricos locales. La instalación eléctrica debe ser realizada por un electricista con licencia profesional.
3. ADVERTENCIA: Para reducir el riesgo de incendio o descarga eléctrica, utilice únicamente el control proporcionado con el ventilador.
4. ADVERTENCIA: Para reducir el riesgo de incendio, descargas eléctricas o lesiones personales, instale el dispositivo en una caja de distribución eléctrica con certificación UL designada como "Aceptable para soporte de ventiladores de 15,9 kg (35 libra) o menos y utilice los tornillos de montaje proporcionados con la caja de distribución eléctrica y/o coloque directamente en la estructura de la construcción. La mayoría de las cajas de distribución eléctrica utilizadas comúnmente para el soporte de artefactos de iluminación no resultan adecuadas para el soporte de ventiladores y pueden requerir un reemplazo; consulte a un electricista matriculado si tiene alguna duda.
5. La caja de distribución eléctrica y la estructura de soporte deben instalarse, asegurarse y ser capaces de soportar completamente un peso mínimo de 35 libras. Utilice únicamente caja de distribución eléctrica con certificación UL designadas como "ACEPTABLES PARA SOPORTE DE VENTILADORES".
6. El ventilador debe instalarse con una distancia mínima de 7 pies entre el borde posterior de las aspas y el piso.
7. No opere el interruptor de sentido inverso mientras las aspas están en movimiento. El ventilador debe apagarse y es necesario que las aspas se hayan detenido antes de invertir el sentido de rotación de las aspas.
8. Evite colocar objetos en el recorrido de las aspas del ventilador.
9. Para evitar lesiones personales o daños al ventilador y otros objetos, tome todos los recaudos necesarios al limpiar o trabajar en el ventilador.
10. No utilice agua ni detergente para limpiar el ventilador o las aspas del ventilador. Un paño seco o levemente humedecido será suficiente para realizar la mayoría de las tareas de limpieza.
11. Después de realizar las conexiones eléctricas, los empalmes de los conductores deben colocarse hacia arriba y empujarse con cuidado hacia arriba hasta introducirse en la caja de distribución eléctrica. Los cables deben estar bien espaciados con el cable de puesta a tierra y el cable blanco (común) hacia un costado y con el cable negro (carga) hacia el otro costado de la caja de distribución eléctrica.

ADVERTENCIA

PARA REDUCIR EL RIESGO DE LESIONES PERSONALES, NO CURVE LOS SOPORTES DE LAS ASPAS (TAMBIÉN DENOMINADOS ABRAZADERAS) DURANTE EL ENSAMBLAJE O DESPUÉS DE LA INSTALACIÓN. NO INSERTE OBJETOS EN EL RECORRIDO DE LAS ASPAS.

HERRAMIENTAS REQUERIDAS

- Destornillador Phillips
- Destornillador plano
- Llave de 11 mm
- Escalera Cortacables
- Cortacables



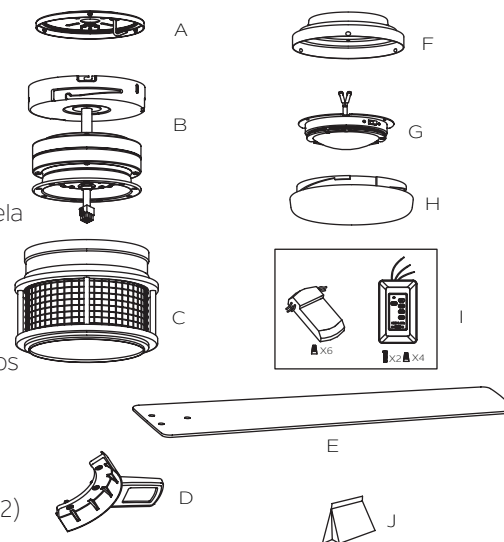
CONTENIDOS DEL ENVASE

Retire el ventilador de la caja y verifique que estén todos los componentes.

La caja debería contener los siguientes elementos:

- A. Placa de montaje
- B. Cuerpo del motor
- C. Carcasa del motor
- D. Soporte para aspas (3)
- E. Aspa del ventilador (3)
- F. Caja de interruptores
- G. Kit de iluminación LED
- H. Pantalla
- I. Sistema de control de pared

- J. Bolsa con piezas metálicas
- 1) Piezas metálicas de montaje:
Tirafondos (2), Arandela plana (2), Tornillo (2), Arandela de seguridad (2), Conector de cable (3)
- 2) Piezas metálicas para acoplamiento de las aspas:
Tornillo (11), Arandela de fibra Arandela (11)
- 3) Piezas metálicas del cable de seguridad: Tirafondos (1), Arandela de resorte (1), Arandela plana (1)
- 4) Kit de balanceo
- 5) Piezas metálicas del soporte de las aspas tornillo (2)



OPCIONES DE MONTAJE

Si no hay ninguna caja de montaje existente con certificación UL (cUL para instalación en Canadá), entonces lea las siguientes instrucciones. Desconecte el suministro de energía eléctrica retirando los fusibles o apagando el disyuntor.

Sujete la caja de distribución directamente a la estructura de la construcción. Utilice tornillos de fijación y materiales de construcción. La caja de distribución eléctrica y su soporte deben ser capaces de soportar completamente el peso en movimiento del ventilador (por lo menos 50 libras). No utilice cajas de distribución eléctrica de plástico.

Las figuras 1, 2 y 3 son ejemplos de diferentes formas de montaje de la caja de distribución.

NOTA: La Fig. 3 es únicamente para los ventiladores equipados con sistema colgante de vástago de extensión.

NOTA: Si usted está instalando el ventilador de techo en un cielorraso cóncavo (abovedado), es posible que necesite un vástago de extensión más largo para mantener la separación adecuada entre el extremo de las aspas y el techo. Se recomienda una separación de 12" para un funcionamiento óptimo.

NOTA: Dependiendo del lugar que haya seleccionado para la instalación, es posible que usted necesite comprar e instalar un "colgante de viga" para el soporte de la caja de distribución eléctrica. Asegúrese de que el colgante de viga que compre se haya diseñado para uso con ventiladores de techo. (Fig. 4)

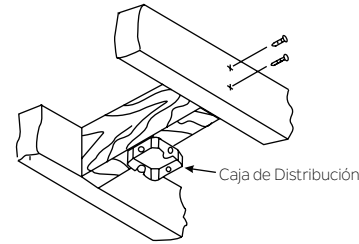


Fig. 1

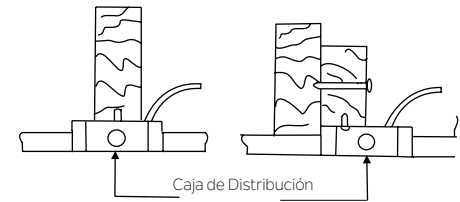


Fig. 2

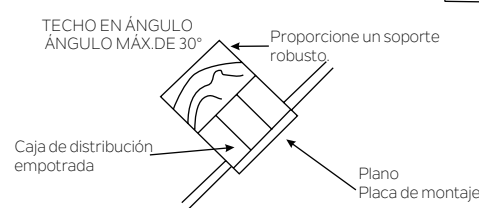


Fig. 3

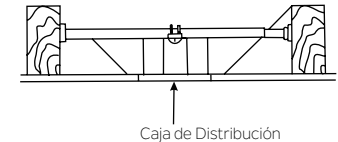


Fig. 4

CÓMO COLGAR EL VENTILADOR

RECUERDE desconectar el suministro de energía eléctrica antes de comenzar con la instalación. Esto resulta necesario para su seguridad y también para la programación adecuada del sistema de control. Para instalar su ventilador de techo de manera adecuada, siga los pasos detallados a continuación.

Paso 1. Antes de acoplar el ventilador con la caja de distribución eléctrica (no incluida), asegúrese de que la caja esté bien ajustada a por lo menos dos puntos de un elemento estructural del techo (una caja suelta podría provocar el tambaleo del ventilador). Pase los cables de alimentación de 120 voltios desde la caja de distribución eléctrica a través del centro de la placa de montaje de techo. Instale la placa de montaje con la caja de distribución eléctrica en el techo utilizando los tornillos y las arandelas que se incluyen con la caja de distribución o los tornillos y arandelas de la bolsa de piezas metálicas. (Fig. 5)

Paso 2. Cuelgue el cuerpo del motor de la placa de montaje tal como se muestra. Ahora ya puede proceder con el cableado eléctrico del ventilador. (Fig. 6)

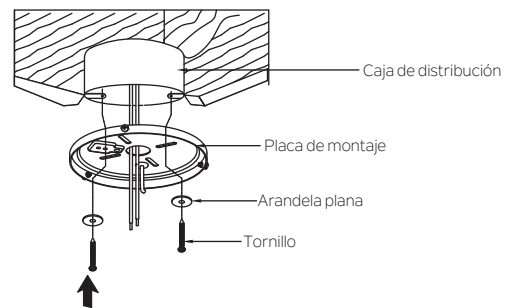


Fig. 5

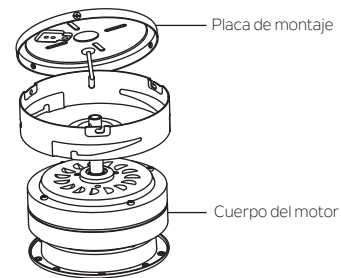


Fig. 6

INSTALACIÓN DEL SOPORTE DE SEGURIDAD

(se requiere ÚNICAMENTE para su instalación en Canadá)

Se incluye un cable de soporte de seguridad que contribuye a evitar que el ventilador de techo se caiga, ; debe instalarse de la siguiente manera.

Paso 1. Inserte un tirafondos y arandelas en el costado de la abrazadera que sostiene la caja de distribución eléctrica. Deje un espacio de 3 mm (1/8") entre la abrazadera de soporte y la arandela. (Fig. 7)

Paso 2. Inserte el cable de seguridad a través de la placa de montaje y uno de los orificios de la caja de distribución eléctrica hasta el interior del techo. Ajuste la longitud del cable de seguridad para alcanzar el tornillo y las arandelas jalando todo el cable extra a través del sujetacables hasta que la longitud total sea la correcta; coloque el extremo del cable hacia atrás a través del sujetacables, formando un bucle al final del cable. Ajuste el sujetacables con firmeza. Ahora, coloque el bucle al final del cable de seguridad por encima del tirafondos y por debajo de la arandela. Ajuste bien el tirafondos. (Fig. 8)

NOTA: Aunque el cable de soporte de seguridad se requiere únicamente para instalaciones en Canadá, se recomienda su uso con cualquier instalación.

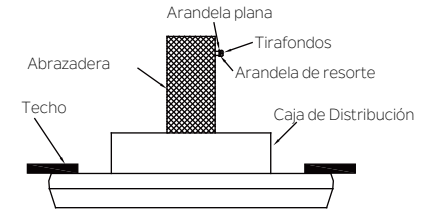


Fig. 7

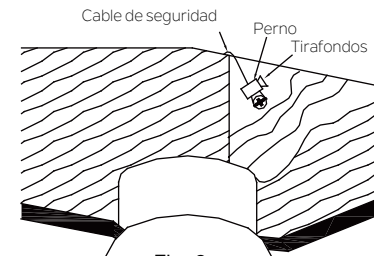


Fig. 8

CONEXIONES ELÉCTRICAS

ADVERTENCIA: Para evitar posibles descargas eléctricas, asegúrese de haber desconectado el suministro de energía eléctrica desde el panel central de circuitos antes de realizar el cableado. Siga los pasos a continuación para conectar el ventilador al cableado de su hogar. Utilice las tuercas para cables proporcionadas con el ventilador. Asegure el conector con cinta aislante. Asegúrese de que no haya conexiones ni cables sueltos

ADVERTENCIA: Si los cables de su hogar son de diferentes colores a los que se muestran en este manual, interrumpa de inmediato la instalación. Se recomienda consultar a un electricista profesional para determinar el cableado adecuado.

Paso 1. Conexiones eléctricas del motor al receptor:

Conecte el cable NEGRO del ventilador al cable NEGRO marcado como "AL MOTOR L" desde el receptor.

Conecte el cable BLANCO del ventilador al cable BLANCO marcado como "AL MOTOR N" del receptor.

Conecte el cable AZUL del ventilador al cable AZUL marcado como "PARA ILUMINACIÓN " del receptor.

Asegure todas las conexiones de cables con los conectores plásticos proporcionados. (Fig. 9)

Paso 2. Conexiones eléctricas del receptor remoto a la caja de distribución eléctrica:

Conecte el cable NEGRO (caliente) del cielorraso al cable NEGRO marcado como "CA EN L" del receptor.

Conecte el cable BLANCO (neutro) del cielorraso al cable BLANCO marcado como "CA EN N" del receptor.

Paso 3. Conexiones de los cables de puesta a tierra:

Conecte el cable de PUESTA A TIERRA de la caja de distribución eléctrica a los cables VERDES del ventilador y la placa de montaje. (Fig. 9)

Asegure las conexiones de cables con los conectores plásticos proporcionados. (Fig. 9)

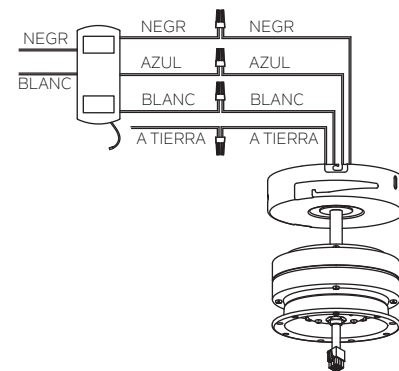


Fig. 9

CONEXIONES ELÉCTRICAS

Paso 4. Retire el papel de revestimiento del receptor, asegure el receptor en su lugar sobre la placa de montaje y mantenga en posición horizontal contra el techo. (Fig. 10)

NOTA: Inserte las conexiones de cable con cuidado en la caja de distribución eléctrica.

NOTA: El ventilador debe instalarse a una distancia máxima de 30 pies de la unidad de transmisión para lograr una transmisión adecuada de la señal entre la unidad de transmisión y la unidad de recepción del ventilador.

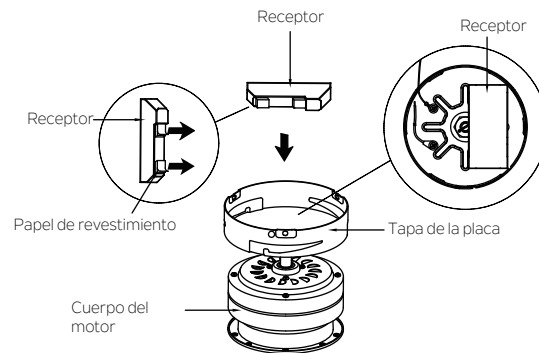


Fig. 10

FINALIZACIÓN DE LA INSTALACIÓN

NOTA: Antes de continuar, asegúrese de haber desconectado el suministro de energía eléctrica apagando el disyuntor o retirando el fusible de la caja de circuitos.

Paso 1. Retire el tornillo marcado con una etiqueta con un punto a preinstalado en la placa de montaje y guárdelo para uso posterior. Afloje los otros dos (no los retire). (Fig. 11)

Paso 2. Levante el cuerpo del motor sobre la placa de montaje, coloque los dos orificios ovalados de la tapa de la placa de montaje sobre los 2 tornillos aflojados previamente de la placa de montaje. Haga girar la placa de montaje hasta que se traben en su lugar en el extremo angosto de los orificios principales. Asegure ajustando los 2 tornillos y el tornillo retirado anteriormente. (Fig. 11)

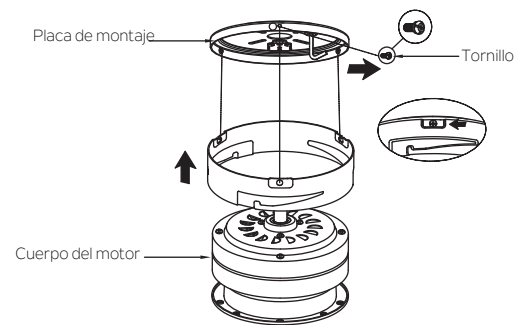


Fig. 11

INSTALACIÓN DE LA CARCASA DEL MOTOR

NOTA: Antes de continuar, asegúrese de haber desconectado el suministro de energía eléctrica apagando el disyuntor o retirando el fusible de la caja de circuitos.

Paso 1. Alinee las pestañas dentro de la carcasa del motor con las ranuras de la tapa de la placa de montaje. Atornille la carcasa del motor a la tapa de la placa de montaje en sentido horario.

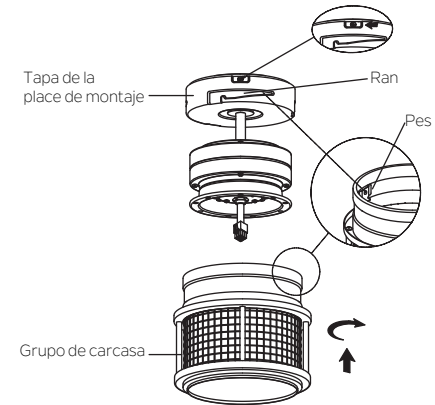


Fig. 12

ACOPLAMIENTO DE LAS ASPAS DEL VENTILADOR

NOTA: Antes de continuar con la instalación, asegúrese de que la electricidad continúe desconectada desde el disyuntor principal o retire el fusible de la caja de circuitos.

Paso 1. Posicione el aspa por encima del soporte del aspa con pernos roscados, tal como se muestra. Asegúrese de que el borde inferior del aspa se apoye por completo contra el soporte del aspa. Con ayuda de un destornillador Phillips, coloque un tornillo y una arandela del aspa en el soporte del aspa (no ajuste) y repita este procedimiento para los dos tornillos y arandelas restantes de las aspas. Ajuste bien cada tornillo antes de continuar con el siguiente. Asegúrese de que el aspa esté derecha. Repita los pasos con el resto de las aspas. (Fig. 13)

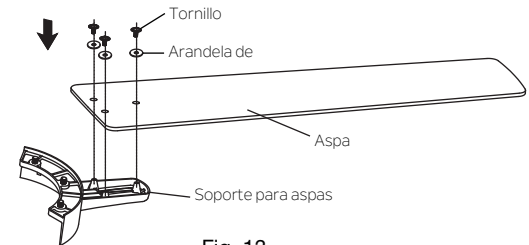


Fig. 13

ACOPLAMIENTO DE LAS ASPAS DEL VENTILADOR

Paso 2. Ajuste el ensamblaje de las aspas en los orificios ubicados en la parte inferior del volante. Ajuste los dos tornillos "preinstalados" del motor en el soporte del asa. Repita los pasos con el resto de los ensamblajes de las aspas. (Fig. 14)

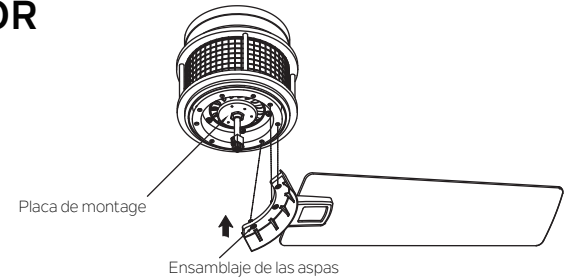


Fig. 14

INSTALACIÓN DE LA CAJA DE INTERRUPTORES

NOTA: Antes de continuar con la instalación, asegúrese de que la electricidad continúe desconectada desde el disyuntor principal o retire el fusible de la caja de circuitos.

Paso 1. Retire uno de los tornillos de montaje preinstalados en la placa de montaje y guarde estas piezas para uso posterior. Afloje los otros dos (no los retire). Coloque los dos orificios ovalados en la caja de interruptores sobre los 2 tornillos aflojados anteriormente de la placa de montaje. Haga girar la caja de interruptores hasta que se traben en su lugar en el extremo angosto de los orificios principales. Asegure ajustando los tornillos aflojados previamente y el tornillo retirado anteriormente. (Fig. 15)

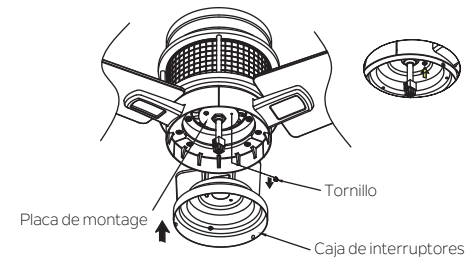


Fig. 15

INSTALACIÓN DEL KIT DE ILUMINACIÓN Y LA PANTALLA

NOTA: Antes de continuar con la instalación, asegúrese de que la electricidad continúe desconectada desde el disyuntor principal o retire el fusible de circuito. Cortar la electricidad utilizando un interruptor de pared no es suficiente para evitar descargas eléctricas.

Paso 1. Retire los tres (3) tornillos preinstalados en el lado externo de la caja de interruptores y guarde estas piezas para uso posterior. (Fig. 16)

Paso 2. Acople el conector del kit de iluminación LED al conector del ensamblaje del motor. (Fig. 16)

NOTA: Los dos conectores tiene orificios principales que deben hacerse coincidir correctamente antes de poder engancharse.

Paso 3. Inserte las conexiones en forma ordenada dentro del kit de iluminación. Alinee tres orificios redondos sobre el kit de iluminación y la caja de interruptores. Ajuste bien con los 3 tornillos retirados anteriormente en el Paso 1. (Fig. 16)

Paso 4. Sujete la pantalla a la caja de interruptores haciéndola girar en sentido horario. No ajuste en exceso. (Fig. 17)

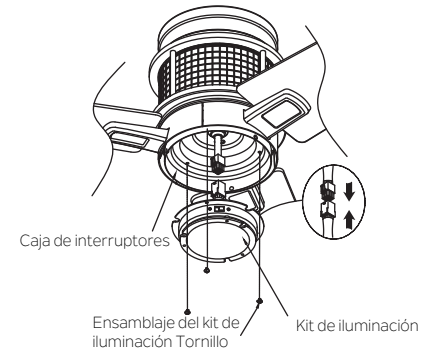


Fig. 16

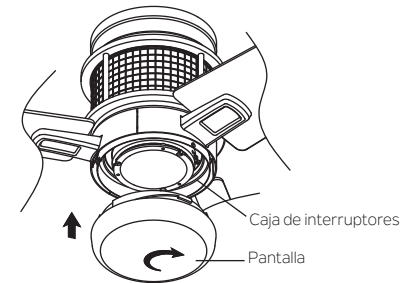


Fig. 17

INSTALACIÓN DEL CONTROL DE PARED

Todo el cableado debe realizarse conforme a lo establecido por el Código Eléctrico Nacional y a los códigos eléctricos locales. La instalación eléctrica debe ser realizada por un electricista con licencia profesional. Seleccione el lugar de instalación del control de pared. Puede reemplazar un interruptor de pared existente o instalar el control de pared en CUALQUIER superficie plana.

NOTA: LA INSTALACIÓN DEL INTERRUPTOR DEBE CUMPLIR CON LAS DISPOSICIONES DE TODOS LOS CÓDIGOS LOCALES Y DEL CÓDIGO ELÉCTRICO NACIONAL.

Paso 1. Retire la placa de pared existente y el antiguo interruptor de la caja de distribución eléctrica de la pared. Conecte la tuerca para cable y las terminaciones del cable NEGRO (caliente) entre sí y vuelva a empujarlos hacia el interior de la caja de distribución eléctrica. (Fig. 28) o seleccione la ubicación deseada con una nueva caja de distribución eléctrica de pared.

Paso 2. Utilice los tornillos proporcionados para asegurar el control de pared a la caja de distribución eléctrica. (Fig. 19).

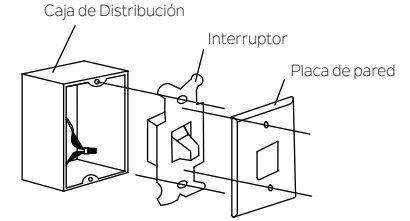


Fig. 18

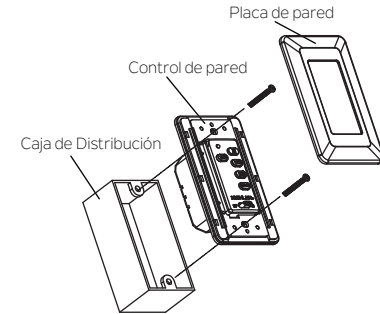


Fig. 19

CONFIGURACIÓN DEL SISTEMA DE CONTROL

Paso 1. Una vez finalizada la instalación, oprima el botón LEARN (OBTENER INFORMACIÓN) durante 3 segundos dentro de los 30 segundos posteriores a haber conectado el suministro de CA. El ventilador se encenderá a velocidad media y se encenderá la luz (si estuviera instalada. Esto confirma que la configuración de SINCRONIZACIÓN INTELIGENTE está activa y funciona de manera adecuada. (Fig. 20)

Paso 2. Si usted no puede completar la configuración dentro del intervalo de 30 segundos, deberá desconectar el suministro eléctrico principal y reiniciar el proceso. Esto repetirá el paso 1 hasta que la función del botón LEARN (OBTENER INFORMACIÓN) se active conforme a lo indicado.

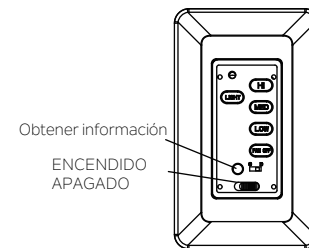


Fig. 20

INSTRUCCIONES DE FUNCIONAMIENTO

Vuelva a conectar la energía al ventilador de techo y pruebe su funcionamiento adecuado. (Fig. 20)

1. Control del ventilador: Para hacer funcionar el ventilador. Presione el botón de velocidad seleccionado para hacer funcionar el ventilador a la velocidad deseada run: Alta velocidad; Velocidad media; Baja velocidad; Presione el botón "FAN OFF" (APAGAR VENTILADOR) para que el ventilador deje de funcionar.

2. Botón de la luz: Presione una vez para encender o apagar la luz. Si el botón de la luz se mantiene presionado, podrá regularse la intensidad de la luz en un ciclo continuo de más claro a más oscuro o de más oscuro a más claro.

3. Si su ventilador de techo tiene luz fluorescente, deslice el interruptor a la posición "O". Si el ventilador de techo tiene luz incandescente o halógena o luz de LED, deslice el interruptor a la posición "D".

4. Interruptor de sentido inverso: Controla la dirección, hacia adelante o en sentido inverso. (Fig. 21)

NOTA: El interruptor de sentido inverso está ubicado en el kit de iluminación LED; retire la pantalla para acceder al interruptor. deslice el interruptor de sentido inverso para cambiar la rotación del ventilador.

NOTA: Espere a que el ventilador se haya detenido y que la pantalla de haya enfriado antes de invertir el sentido de rotación de las aspas del ventilador.

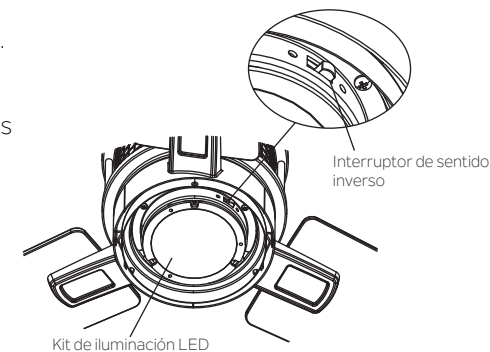


Fig. 21

LOCALIZACIÓN Y RESOLUCIÓN DE PROBLEMAS

Problema	Solución
El ventilador no arranca.	<ol style="list-style-type: none">1. Controle el funcionamiento de los fusibles de circuito o los disyuntores.2. Verifique todas las conexiones eléctricas para asegurar el debido contacto. PRECAUCIÓN: Asegúrese de que la corriente principal esté DESCONECTADA al verificar cualquier conexión eléctrica.3. Asegúrese de que las baterías del transmisor estén correctamente instaladas. El polo positivo (+) mirando hacia afuera.4. Asegúrese de que las baterías tengan suficiente carga.
El ventilador hace mucho ruido.	<ol style="list-style-type: none">1. Asegúrese de que todos los tornillos de la caja del motor estén ajustados.2. Asegúrese de que los tornillos que sujetan los soportes de las aspas del ventilador al motor estén ajustados.3. Asegúrese de que las conexiones empalmadas con conectores no se rocen entre sí o contra la pared interna de la caja de interruptores. PRECAUCIÓN: Asegúrese de que la corriente principal esté desconectada.4. Se requiere un lapso de "adaptación" de 24 horas. La mayoría de los ruidos asociadas con un nuevo ventilador desaparecen en este lapso.5. Si se utiliza un kit de iluminación opcional, asegúrese de que los tornillos que sujetan las piezas de vidrio estén ajustados. Asegúrese de que las bombillas de luz no estén tocando ningún otro componente.6. No conecte el ventilador a un control o controles de velocidad variable de pared. No son compatibles con los motores de los ventiladores de techo o los controles remoto.7. Asegúrese de que la cubierta superior esté cerca del techo. No debe tocar el techo.
El ventilador tambalea.	<ol style="list-style-type: none">1. Verifique que todos los tornillos de las aspas y de los brazos de las aspas estén ajustados.2. La mayoría de los problemas de tambaleo de los ventiladores son provocados por la desigualdad de los niveles de las aspas. Verifique este nivel seleccionando un punto en el techo por encima del extremo de una de las aspas. Mida esta distancia. Haga girar el ventilador hasta posicionar la siguiente aspa para su medición. Repita con cada aspa. La desviación de la distancia debe ser igual dentro de 1/8".3. Utilice el kit de balanceo de las aspas que se incluye si el tambaleo aún puede apreciarse.4. Si el tambaleo de las aspas aún puede apreciarse, el intercambio de dos aspas adyacentes (una junto a la otra) permite redistribuir el peso y posiblemente resulte en un mejor funcionamiento.

LOCALIZACIÓN Y RESOLUCIÓN DE PROBLEMAS

Problema	Solución
Mal funcionamiento del control remoto.	1.Los ventiladores de techo con sistemas de control remoto NO PUEDEN operarse junto con ningún otro sistema de control SALVO un interruptor básico de encendido/apagado de pared, si así se desea.

ADVERTENCIA DE LA FCC

Este dispositivo cumple con la parte 15 de las Normas de la Comisión Federal de Comunicaciones (FCC). Su funcionamiento está sujeto a las dos condiciones que se detallan a continuación: (1) Este dispositivo no debe provocar una interferencia perjudicial, y (2) este dispositivo debe aceptar cualquier interferencia recibida, incluida la interferencia que pueda provocar un funcionamiento no deseado, Los cambios o modificaciones que no hayan sido expresamente aprobados por la parte responsable del cumplimiento podrían anular la facultad del usuario de operar el equipo.

NOTA: Este equipo se ha probado y cumple con los límites de un dispositivo digital de Clase B, conforme a la parte 15 de las Normas de la FCC. Estos límites están diseñados para brindar una protección razonable contra la interferencia perjudicial en una instalación de tipo residencial. Este equipo genera, utiliza y puede irradiar energía de radiofrecuencia y, si no se instala y utiliza conforme a las instrucciones, podría provocar una interferencia perjudicial para las comunicaciones de radio. Sin embargo, no hay ninguna garantía de que la interferencia no vaya a presentarse en una instalación específica. Si el equipo no provoca ninguna interferencia perjudicial para la recepción de ondas de radio o TV, lo que puede determinarse apagando y encendiendo el equipo, se alienta al usuario a intentar corregir la interferencia mediante una o más de las siguientes medidas: Redireccione o reubique la antena de recepción, aumente la distancia entre el equipo y el receptor, y conecte el equipo a una salida en un circuito diferente al que está conectado el ventilador.

KICHLER®

www.kichler.com

KICHLER® LIGHTING LLC

7711 EAST PLEASANT VALLEY ROAD P.O. BOX 318010

CLEVELAND, OHIO 44131-8010

SERVICIO DE ATENCIÓN AL CLIENTE 866.558.5706

8:30 AM A 5:00 PM HORA DEL ESTE, DE LUNES A VIERNES

KICHLER®

52" Chiara LED

LES ILLUSTRATIONS DU PRODUIT PEUVENT DIFFÉRER DU PRODUIT ACTUEL.



MANUEL D'UTILISATION

TABLE DES MATIERES

CONSIGNES DE SÉCURITÉ	4	INSTALLATION DU CARTER DU MOTEUR	11
OUTILLAGE REQUIS	5	INSTALLATION DU BOITIER DE COMMUTATEUR	12
CONTENU DE L'EMBALLAGE	5	INSTALLATION DU KIT D'ÉCLAIRAGE À LED.....	13
OPTIONS D'INSTALLATION.....	6	INSTALLATION DE LA COMMANDE MURALE	14
SUSPENSION DU VENTILATEUR.....	7	RÉGLAGE DU SYSTÈME DE COMMANDE.....	15
INSTALLATION DU SUPPORT DE SÉCURITÉ	8	INSTRUCTIONS OPÉRATIONNELLES.....	15
CONNEXIONS ÉLECTRIQUES	9	DÉPANNAGE.....	16
DERNIÈRE ÉTAPE DE L'INSTALLATION.....	10	AVERTISSEMENT de la FCC.....	17

CONSIGNES DE SÉCURITÉ

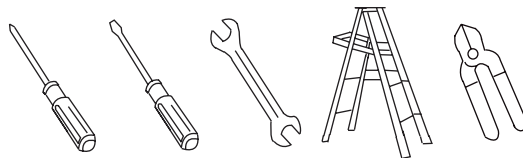
1. Pour réduire les risques de choc électrique, s'assurer que l'électricité a été coupée au niveau du disjoncteur ou de la boîte de fusibles avant de procéder à l'installation.
2. Le câblage doit être installé conformément au code national d'électricité américain (NEC) ou au code d'électricité local en vigueur.
3. **AVERTISSEMENT :** Pour réduire les risques d'incendie ou de choc électrique, utiliser uniquement la commande livrée avec le ventilateur.
4. **AVERTISSEMENT :** Lors du montage sur la boîte à prises et pour réduire le risque de blessures, utiliser uniquement les deux vis en acier (et rondelles de blocage) fournies avec la boîte à prises.
5. La boîte de sortie et la structure de support doivent être solidement fixées et capables de supporter de manière fiable un minimum de 35 livres. Utilisez uniquement les boîtes de sortie répertoriées CUL marquées "FOR FAN SUPPORT"
6. Le ventilateur doit être monté avec un dégagement minimum de 7 pieds du bord de fuite des pales au sol.
7. Ne pas utiliser le commutateur de marche arrière lorsque les pales du ventilateur sont en mouvement. Le ventilateur doit être éteint et les lames arrêtées avant d'inverser la direction de la lame.
8. Éviter de placer des objets dans la trajectoire des pales.
9. Ne pas utiliser d'eau ni de détergents pour nettoyer le ventilateur ou les pales du ventilateur.
10. Après avoir effectué les connexions électriques, les conducteurs épissés doivent être tournés vers le haut et soigneusement rentrés dans la boîte à prises.
11. Après avoir effectué les connexions électriques, les conducteurs épissés doivent être tournés vers le haut et introduits avec précaution dans la boîte de sortie. Les fils doivent être écartés avec le fil de terre et le fil blanc (commun) d'un côté avec le fil noir (charge) de l'autre côté de la boîte de sortie.

AVERTISSEMENT

POUR REDUIRE LE RISQUE DE BLESSURES, NE PAS
PLIER LES SUPPORTS DE PALES (APPELÉS ÉGALEMENT
BRIDES) LORS DU MONTAGE OU APRÈS L'INSTALLATION

OUTILLAGE REQUIS

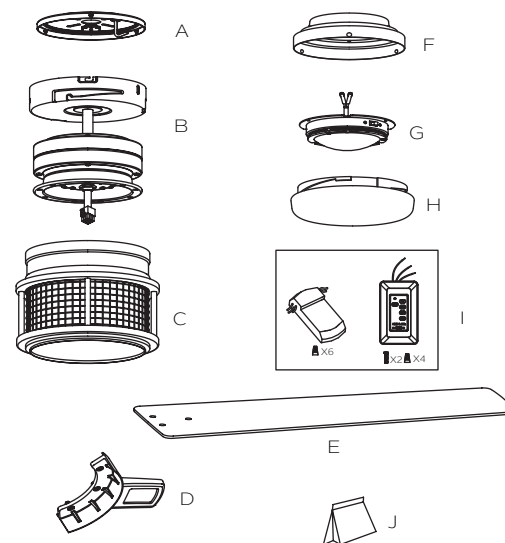
- Tournevis Phillips
- Tournevis à lame plate
- Clé 11 mm
- Escabeau
- Coupe-fils



CONTENU DE L'EMBALLAG

Déballez votre ventilateur et vérifiez le contenu. Vous devriez disposer des éléments suivants :

- | | |
|-------------------------------|--|
| A. Plaque de montage | J. Sac de matériel |
| B. Moteur | 1) Matériel de montage : |
| C. Carter moteur | Vis à bois (2), Rondelle plate (2), Vis (2), |
| D. Support de pale (3) | Rondelle de blocage (2), Connecteur de fil (3) |
| E. Pale de ventilateur (3) | 2) Matériel de fixation des pales : |
| F. Boîtier de commutateur | Vis (11), Rondelle en fibre (11) |
| G. Kit d'éclairage à LED | 3) Matériel pour câble de sécurité : |
| H. Cache | Vis à bois (1), Rondelle à ressort (1), Rondelle |
| I. Système de commande murale | plate (1) |
| | 4) Kit d'équilibrage |
| | 5) Vis pour fixation du support de pale (2) |



OPTIONS DE MONTAGE

En l'absence d'une boîte de montage homologuée UL (CUL pour les installations canadiennes), prendre connaissance des instructions suivantes. Avant de poursuivre, s'assurer que l'alimentation a été coupée en déclenchant le disjoncteur ou en enlevant le fusible de la boîte de circuit.

Fixer la boîte à prises directement sur la structure du bâtiment. Utiliser des attaches et des matériaux de construction appropriés. La boîte à prises et son support doivent être en mesure de soutenir le poids du ventilateur en mouvement (au moins 22 kg). Ne pas utiliser de boîtes à prises en plastique.

Les figures 1, 2 et 3 sont des exemples de différentes manières de monter la boîte de sortie.

REMARQUE: La Fig.3 ne concerne que le ventilateur doté du système de suspension avec tige.

REMARQUE: Si vous installez le ventilateur au plafond sur un plafond incliné (voûté), vous pouvez avoir besoin d'une tige de suspension plus longue pour maintenir un dégagement approprié entre la pointe de la pale et le plafond. Un espace minimum de 30 cm est recommandé pour un fonctionnement optimal.

REMARQUE: Selon l'emplacement sélectionné pour l'installation, il peut s'avérer nécessaire d'acheter et d'installer un étrier à solive pour soutenir la boîte à prises. S'assurer que l'étrier à solive a été conçu pour une utilisation avec des ventilateurs de plafond.

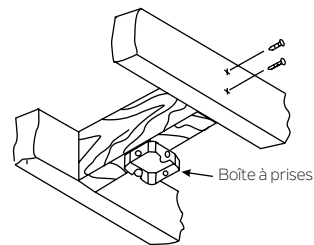


Fig. 1

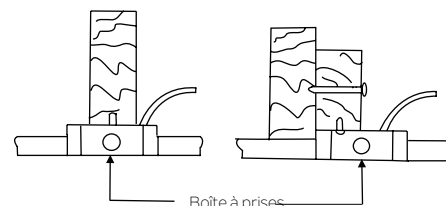


Fig. 2

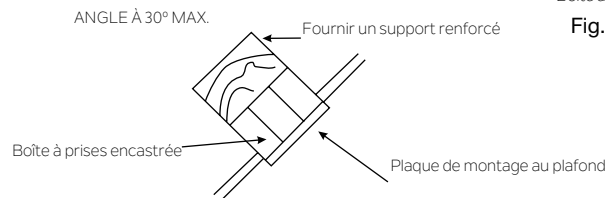


Fig. 3

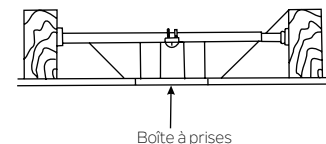


Fig. 4

SUSPENSION DU VENTILATEUR

TOUJOURS couper l'alimentation avant de procéder à l'installation. Vous devez le faire non seulement pour des raisons de sécurité mais également pour pouvoir programmer correctement le système de commande. Pour installer correctement le ventilateur au plafond, procéder comme suit.

Vous devez le faire non seulement pour des raisons de sécurité mais également pour pouvoir programmer correctement le système de commande. Pour installer correctement le ventilateur au plafond, procéder comme suit.

Étape 1. Avant de fixer le ventilateur à la boîte à prises (non fournie), assurez-vous que la boîte à prise est correctement installée sur deux points (minimum) d'une partie structurelle du plafond (une boîte desserrée risque d'entraîner des oscillations du ventilateur). Installez le support de montage sur la boîte à prises au plafond à l'aide des vis et des rondelles fournis avec la boîte à prises ou les vis et les rondelles dans le sac de matériel.

Étape 2. Retirez la boule de suspension de la tige de suspension en desserrant les vis de blocage, en dégageant la broche transversale et en dévissant la balle de la tige.

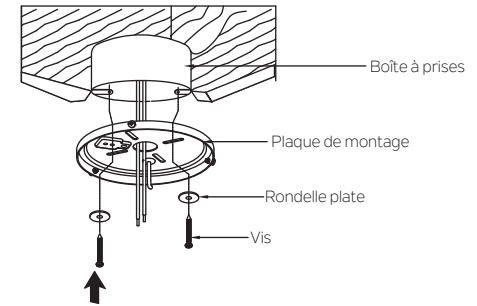


Fig. 5

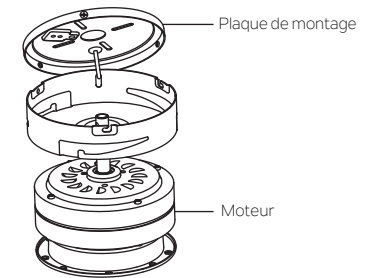


Fig. 6

INSTALLATION DU SUPPORT DE SÉCURITÉ (requis UNIQUEMENT dans le cas d'une installation canadienne)

Le câble de support de sécurité qui est fourni pour empêcher que le ventilateur de plafond ne tombe pas doit être installé comme suit.

Étape 1. Installez la vis à bois et les rondelles dans le côté de la cale qui retient la boîte à prise. Laissez 3 mm (1/8 po) entre la cale de support et la rondelle. (Fig. 7)

Étape 2. Insérez le câble de sécurité par la plaque de montage et l'un des trous de la boîte à prises dans le plafond. Ajustez la longueur du câble de sécurité pour atteindre la vis et les rondelles en tirant l'excès de câble à travers le serre-câble jusqu'à ce que la longueur totale soit correcte. Placez l'embout du câble à travers le serre-câble en formant une boucle à l'extrémité du câble.

Serrez bien le serre-câble. Mettez maintenant la boucle à l'extrémité du câble de sécurité sur la vis à bois et sous la rondelle. Serrez bien la vis à bois. (Fig. 8)

REMARQUE :

Bien que le câble de support de sécurité ne soit requis que pour les installations canadiennes, il est recommandé d'effectuer la fixation à toute installation.

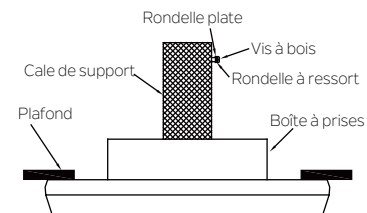


Fig. 7

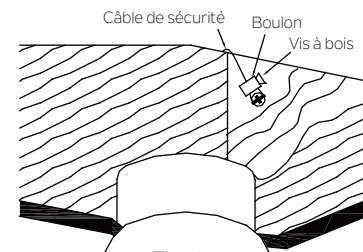


Fig. 8

CONNEXIONS ÉLECTRIQUES

AVERTISSEMENT : Pour éviter tout risque de choc électrique, s'assurer que l'alimentation est coupée au niveau du panneau de circuit principal avant d'effectuer le câblage. Procédez comme suit pour raccorder le ventilateur au câblage du domicile. Utilisez les raccords de connexion des fils fournis avec le ventilateur. Sécurisez les connecteurs avec du ruban électrique. Assurez-vous qu'il n'y a pas de brins de fil ni de connexions desserrées.

AVERTISSEMENT : Si les fils du domicile sont d'une couleur autre que celle référencée dans ce manuel, arrêtez l'installation. Contactez un électricien professionnel pour déterminer le câblage approprié.

Étape 1. Connexions électriques du moteur au récepteur :

Connectez le fil NOIR du ventilateur au fil NOIR marqué "TO MOTOR N (AU MOTEUR N)" de l'émetteur.

Connectez le fil BLANC du ventilateur au fil BLANC marqué "TO MOTOR L (AU MOTEUR L)" du récepteur.

Connectez le fil BLEU du ventilateur au fil BLEU marqué "FOR LIGHT (POUR LA LUMIÈRE)" du récepteur.

Sécurisez la connexion des fils avec les connecteurs en plastique (fournis). (Fig. 9)

Étape 2. Connexions électriques du récepteur de télécommande à la boîte à prises :

Connectez le fil NOIR (sous tension) du plafond au fil NOIR marqué "AC IN L (ÉNTRÉE CA L)" de l'émetteur.

Connectez le fil BLANC (neutre) du plafond au fil BLANC marqué "AC IN N" du récepteur.

Étape 3. Connexions des fils de terre :

Connectez le fil de TERRE de la boîte à prises aux fils VERTS du ventilateur et de la plaque de montage (Fig. 9).

Sécurisez la connexion des fils avec les connecteurs en plastique (fournis) (Fig. 9).

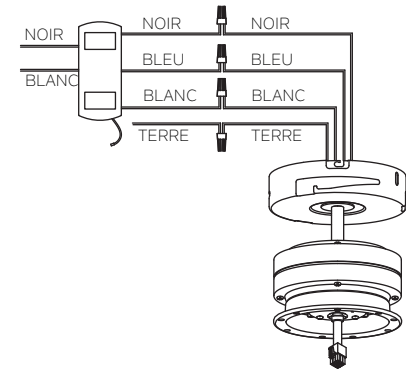


Fig. 9

CONNEXIONS ÉLECTRIQUES

Étape 4. Enlevez la doublure de papier sur le récepteur et fixez-le récepteur sur le couvercle de la plaque de montage. Maintenez le récepteur à plat contre le plafond. (Fig. 10)

REMARQUE : Ranger soigneusement les connexions des fils dans la boîte à prises.

REMARQUE: Le ventilateur doit être installé à une distance maximum de 9 M depuis l'unité de transmission pour garantir la transmission correcte du signal entre l'unité de transmission et l'unité de réception du ventilateur.

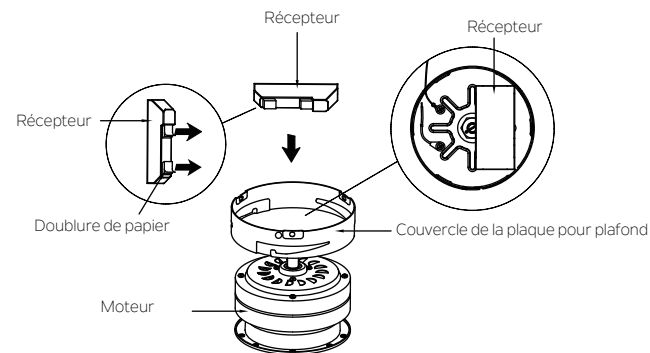


Fig. 10

DERNIÈRES ÉTAPES DE L'INSTALLATION

REMARQUE : Avant de poursuivre, s'assurer que l'alimentation a été coupée en déclenchant le disjoncteur ou en enlevant le fusible de la boîte de circuit.

Étape 1. Retirez la vis marquée d'un point préinstallée sur la plaque de montage et conservez-la pour la suite. Desserrez les deux autres vis (sans les retirer). (Fig. 11)

Étape 2. Relevez le moteur sur la plaque de montage, placez les deux trous de la fente sur le couvercle de la plaque de montage sur les 2 vis précédemment desserrées de la plaque de montage. Tournez le couvercle de la plaque de montage jusqu'à ce qu'il soit verrouillé en place à la section étroite des trous en forme de serrure. Sécurisez en serrant les 2 vis et celle qui a été retirée (Fig. 11)

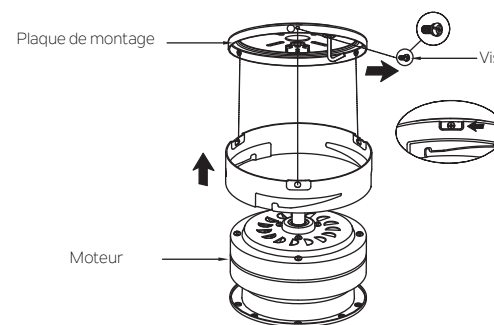


Fig. 11

INSTALLATION DU BOITIER DU MOTEUR

REMARQUE : Avant de poursuivre, s'assurer que l'alimentation a été coupée en déclenchant le disjoncteur ou en enlevant le fusible de la boîte de circuit.

Étape 1. Alignez les languettes qui sont à l'intérieur du boîtier du moteur avec les fentes du couvercle de la plaque de montage. Vissez le boîtier du moteur sur la plaque de montage dans le sens horaire.

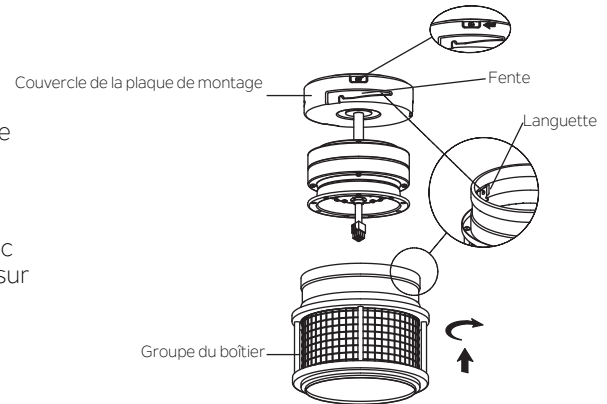


Fig. 12

FIXATION DES PALES DU VENTILATEUR

REMARQUE : Avant de poursuivre, s'assurer que l'alimentation a été coupée en déclenchant le disjoncteur ou en enlevant le fusible de la boîte de circuit.

Étape 1. Placez la pale sur le support de pale avec des montants filetés exposés. Assurez-vous que le bord inférieur de la pale est bien logé contre le support de la pale. Avec un tournevis Philips, enfoncez une vis et une rondelle de pale dans le support de la pale (ne pas serrer) et répétez l'opération pour les 2 autres vis et rondelles de pale restantes. Serrez chacune des vis fermement en commençant par la vis centrale. Assurez-vous que la pale est droite. Répétez les étapes pour les autres pales. (Fig. 13)

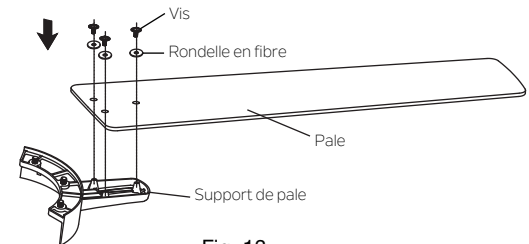


Fig. 13

FIXATION DES PALES DU VENTILATEUR

Étape 2. Fixez la pale aux trous situés sur la partie inférieure du volant. Serrez les deux vis du moteur "préinstallées" sur le support de pale. Répétez les étapes pour les autres pales (Fig. 14).

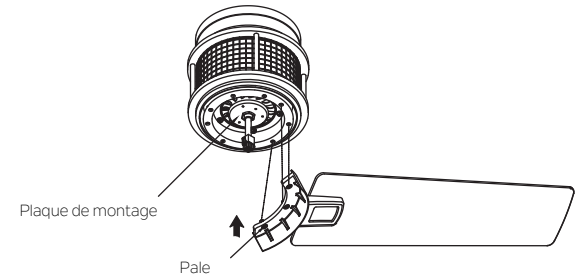


Fig. 14

INSTALLATION DU BOITIER DE COMMUTATEUR

REMARQUE : Avant de poursuivre, s'assurer que l'alimentation a été coupée en déclenchant le disjoncteur ou en enlevant le fusible de la boîte de circuit.

Étape 1. Retirez une des vis préinstallées sur la plaque de montage et conservez-la pour plus tard. Desserrez les deux autres vis (sans les retirer). Placez les deux trous oblongs sur le boîtier de commutateur sur les 2 vis desserrées précédemment de la plaque de montage. Tournez le boîtier de commutateur jusqu'à ce qu'il soit verrouillé en place à la section étroite des trous en forme de serrure. Sécurisez en serrant les 2 vis desserrées précédemment et celle qui a été retirée.(Fig. 15)

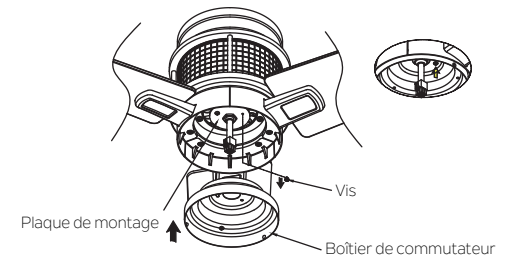


Fig. 15

INSTALLION DU KIT D'ÉCLAIRAGE ET DU CACHE

REMARQUE : Avant de poursuivre l'installation, s'assurer que l'alimentation est toujours coupée en déclenchant le disjoncteur du secteur ou en retirant un fusible. Il ne suffit pas de couper l'alimentation au niveau du bouton mural pour éviter les chocs électriques.

Étape 1. Retirez les trois (3) vis préinstallées sur le côté externe du boîtier de commutateur et conservez-les pour la suite. (Fig. 16)

Étape 2. Fixez le connecteur du kit d'éclairage à LED au connecteur du moteur (Fig. 16).
REMARQUE : Les deux connecteurs disposent de trous en forme de serrure qui doivent correspondre exactement pour pouvoir s'enclencher.

Étape 3. Rangez les connexions soigneusement dans le kit d'éclairage. Alignez les trois trous arrondis sur le kit d'éclairage et le boîtier de commutateur. Serrez fermement les 3 vis retirés au cours de l'étape 1 (Fig. 16).

Étape 4. Sécurisez le cache au boîtier de commutateur en tournant dans le sens horaire. Ne pas serrer avec excès. (Fig. 17)

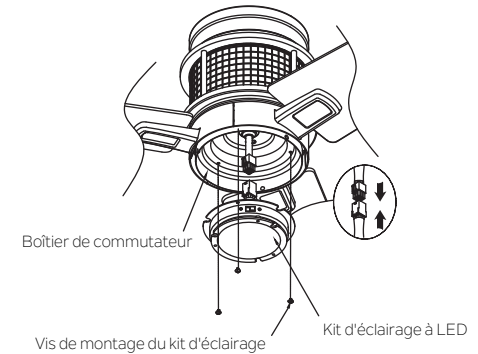


Fig. 16

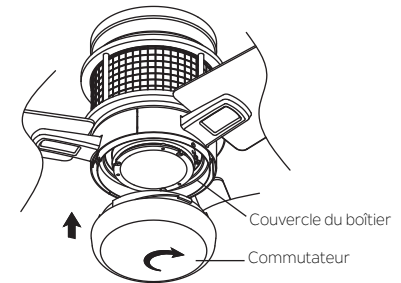


Fig. 17

INSTALLATION DE LA COMMANDE MURALE

Le câblage doit être installé conformément au code national d'électricité américain (NEC) ou au code d'électricité local en vigueur. Les travaux d'électricité doivent être exécutés par un électricien agréé qualifié. Sélectionnez un emplacement pour installer la commande murale. Vous pouvez remplacer un interrupteur mural existant ou, installer la commande murale sur N'IMPORTE QUELLE surface plane.

REMARQUE : L'INSTALLATION ÉLECTRIQUE DOIT ÊTRE CONFORME AUX CODES ÉLECTRIQUES LOCAUX ET NATIONAUX.

Étape 1. Raccordez avec les connecteurs les fils NOIRS (sous tension) ensemble et repoussez à l'intérieur de la boîte à prises. ((Fig. 18) ou sélectionnez l'emplacement avec une nouvelle boîte à prises murale.

Étape 2. Serrez les vis fournies pour fixer la commande murale à la boîte à prises (Fig. 19).

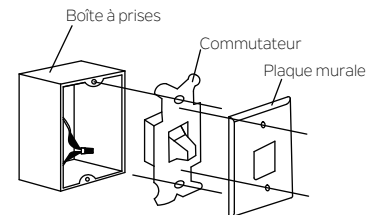


Fig. 18

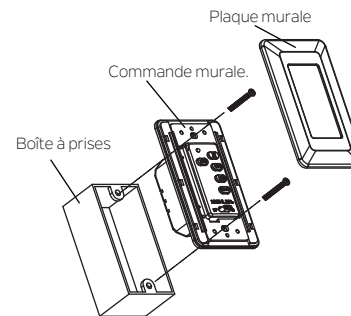


Fig. 19

RÉGLAGE DU SYSTÈME DE COMMANDE

Étape 1. Une fois l'installation terminée, appuyez sur le bouton LEARN pendant 3 secondes dans les 30 secondes après l'activation de l'alimentation CA. Le ventilateur se mettra en marche à une vitesse moyenne et la lumière (si installée) s'allumera. Vous avez la confirmation que le réglage SMART SYNC fonctionne correctement. (Fig. 20)

Étape 2. Si vous ne pouvez pas effectuer le réglage dans l'intervalle des 30 secondes, éteignez et recommencez. Vous répétez l'étape 1 jusqu'à ce que la fonction LEARN s'active tel qu'indiqué.

CONSIGNES D'UTILISATION

Remettez le ventilateur au plafond sous tension et faites des essais pour en garantir un bon fonctionnement (Fig. 20).

1. Contrôle du ventilateur : Pour mettre le ventilateur en marche. Appuyez sur le commutateur de la vitesse souhaitée pour régler la vitesse du ventilateur : Hi-vitesse élevée ; MED-vitesse moyenne ; LOW-vitesse faible ; Appuyez sur "FAN OFF" (Ventilateur Arrêt) pour éteindre le ventilateur.
2. Bouton de la lumière : Appuyez une fois pour allumer la lumière ou l'éteindre. Exercez une pression continue sur ce bouton pour assombrir et passer le réglage de clair à sombre ou de sombre à clair.
3. Si votre ventilateur au plafond dispose d'un éclairage fluorescent, mettez le commutateur en position "O". Si votre ventilateur au plafond dispose d'un éclairage incandescent ou halogène ou LED, mettez le commutateur en position "D"..

4. Commutateur REV: Permet de contrôler le sens, en avant ou en arrière. (Fig. 21)

REMARQUE : Le commutateur de la marche arrière est situé sur le kit d'éclairage à LED, retirez le cache pour accéder au commutateur. Faites glisser le commutateur de marche arrière pour changer la rotation.

REMARQUE : Attendre que le ventilateur se soit arrêté complètement et que la pale ait refroidi avant de changer le sens de la rotation de la pale.

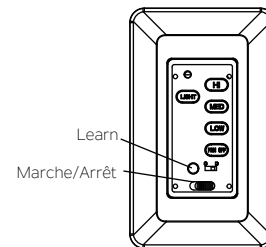


Fig. 20

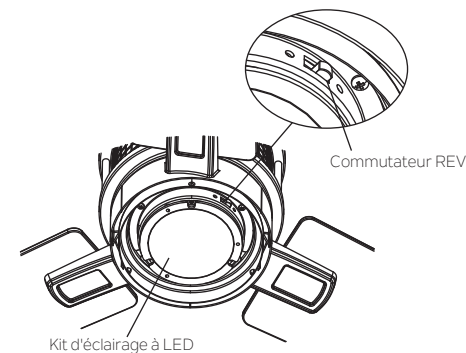


Fig. 21

DÉPANNAGE

Problème

Solution

Impossible de mettre le ventilateur en marche.

1. Vérifiez les fusibles ou disjoncteurs de circuit.
2. Vérifiez tous les raccordements électriques pour garantir un bon contact. **ATTENTION :** Assurez-vous que l'alimentation principale est COUPÉE lors de la vérification des raccordements électriques.
3. Veillez à ce que les piles de l'émetteur soient installés correctement. Côté positif (+) vers l'extérieur
4. Assurez-vous que les piles sont bien chargées.

Le ventilateur est bruyant.

1. Assurez-vous que toutes les vis du boîtier du moteur sont bien ajustées.
2. Assurez-vous que les vis qui fixent les supports des pales du ventilateur au moteur sont serrées.
3. Assurez-vous que les connexions des raccords filaires ne frottent pas les uns contre les autres ou contre la paroi intérieure du boîtier du commutateur. **ATTENTION :** Assurez-vous que l'alimentation est coupée.
4. Le rodage prend 24 heures. La majorité des bruits associés à un nouveau ventilateur disparaissent pendant la période de rodage.
5. Si vous utilisez un kit d'éclairage vendu en option, assurez-vous que les vis fixant le verre sont bien serrées. Veillez à ce que les ampoules ne touchent pas d'autres composants.
6. Ne pas connecter ce ventilateur à un ou des contrôles de vitesse variables installés sur le mur. Ils ne sont pas compatibles avec les moteurs de ventilateur de plafond ni les télécommandes.
7. Assurez-vous que le cache supérieur est à une courte distance du plafond. Il ne doit pas toucher le plafond.

Le ventilateur vacille.

1. Vérifiez que toutes les vis des pales et des bras de pales sont sécurisées.
2. La majorité des problèmes d'oscillation des ventilateurs provient du déséquilibre des pales. Vérifiez ce niveau en sélectionnant un point sur le plafond au-dessus de l'extrémité de l'une des pales. Mesurez cette distance. Faites tourner le ventilateur jusqu'à ce que la prochaine pale soit positionnée pour la mesure. Répétez pour chaque pale. L'intervalle doit être de 3 mm.
3. Utilisez le kit d'équilibrage des pales si le vacillement des pales est toujours perceptible.
4. Si le vacillement des pales est toujours perceptible, échangez deux pales adjacentes (côte à côte) pour redistribuer le poids et éventuellement permettre un fonctionnement plus équilibré.

DÉPANNAGE

Problème

La télécommande ne fonctionne pas correctement.

Solution

1. Les ventilateurs de plafond avec des systèmes de contrôle à distance NE PEUVENT PAS fonctionner conjointement avec tout autre système de contrôle, SAUF un interrupteur mural standard de marche/arrêt, le cas échéant.

AVERTISSEMENT de la FCC

Cet appareil est conforme à la section 15 de la réglementation de la FCC. Son fonctionnement est soumis aux deux conditions suivantes :

(1) Cet appareil ne peut pas provoquer d'interférence nuisibles, et (2) cet appareil doit accepter toute interférence reçue, incluant une interférence qui pourrait provoquer un fonctionnement non-désiré.

Tout changement ou modification n'ayant pas été expressément approuvé par la partie responsable de l'adhésion pourrait abroger l'autorisation de l'utilisateur à faire fonctionner l'appareil.

REMARQUE : Des tests ont confirmé que cet équipement respecte les limites d'un dispositif numérique de catégorie B, en vertu de la section 15 de la réglementation de la FCC. Ces limites ont été conçues pour fournir une protection raisonnable contre le brouillage nuisible d'une installation résidentielle. Cet équipement génère, utilise et peut rayonner de l'énergie radiofréquence et, s'il n'est pas installé et utilisé selon les instructions, peut causer de l'interférence nuisible aux communications de radio. Cependant, il est néanmoins possible qu'il y ait de l'interférence dans une installation en particulier. Si cet équipement cause du brouillage nuisible à la réception du signal de radio ou de télévision, ce qui peut être déterminé en éteignant puis en rallumant l'appareil, l'utilisateur peut essayer de corriger l'interférence en appliquant une ou plusieurs des mesures suivantes :

Réorienter ou repositionner l'antenne récepteur, augmenter la distance séparant l'équipement le récepteur, connecter l'équipement à la prise d'un circuit différent de celui du récepteur auquel le ventilateur a été connecté.

KICHLER®

www.kichler.com

KICHLER® LIGHTING LLC

7711 EAST PLEASANT VALLEY ROAD P.O. BOX 318010

CLEVELAND, OHIO 44131-8010

Nous sommes là pour vous aider 866-558-5706

Heures : du lundi au vendredi, de 9h à 17h (heure de l'Est)