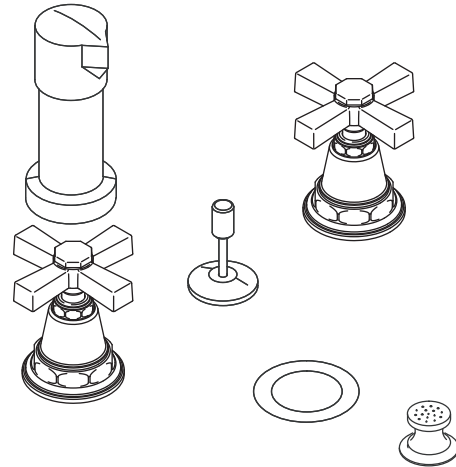


**BIDET FAUCET  
K-13142**

**Features**

- Metal construction
- Flexible connections for easy installation
- Brass valve bodies
- Pop-up drain with lift rod and tailpiece
- Vertical spray
- Fixture-mount transfer valve/vacuum breaker
- Available with cross or lever handles
- Quarter-turn washerless ceramic disc valves



**Codes/Standards Applicable**





Specified model meets or exceeds the following:

- ASME A112.18.1/CSA B125.1
- ASSE 1001

**Colors/Finishes**

- CP: Polished Chrome
- Other: Refer to Price Book for additional colors/finishes

**Specified Model**

Model	Description								
K-13142-3A	Bidet faucet with plain cross handles	<input type="checkbox"/> CP	<input type="checkbox"/> Other						
K-13142-3B	Bidet faucet with grooved cross handles			<input type="checkbox"/> CP	<input type="checkbox"/> Other				
K-13142-4A	Bidet faucet with plain lever handles					<input type="checkbox"/> CP	<input type="checkbox"/> Other		
K-13142-4B	Bidet faucet with grooved lever handles							<input type="checkbox"/> CP	<input type="checkbox"/> Other

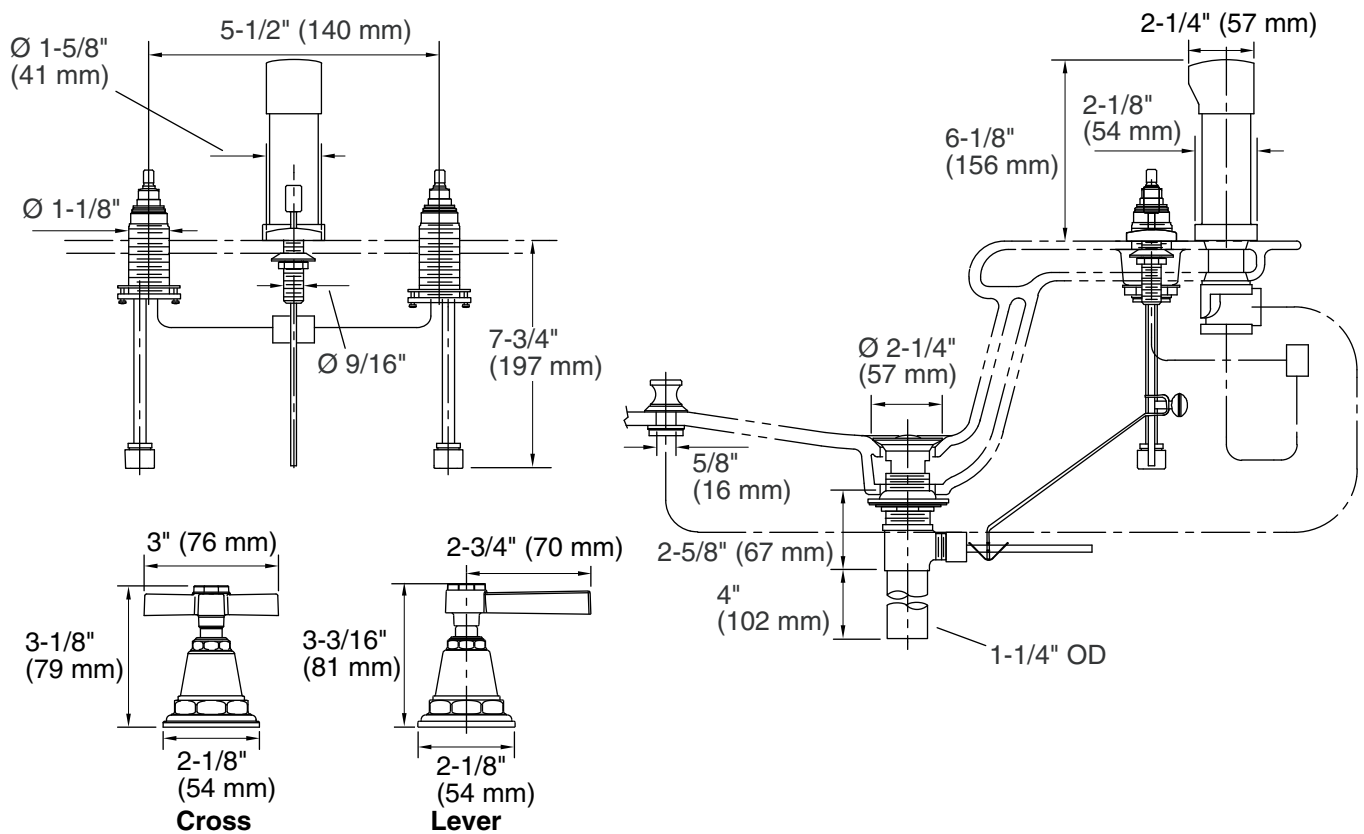
**Product Specification**

Two-handle fixture-mount bidet faucet shall be of metal construction. Faucet shall feature brass valve bodies. Faucet shall feature quarter-turn washerless ceramic disc valves, assuring positive handle stop positioning. Product shall include flexible connections, pop-up drain with lift rod and tailpiece, handles, vertical spray, and fixture-mount valve/vacuum breaker. Faucet shall be Kohler Model K-13142-\_\_\_\_\_-\_\_\_\_\_.

# PINSTRIBE®

## Installation Notes

Install this product according to the installation guide.



## Product Diagram