



# Underscore® Rectangle

60" x 30" heated whirlpool bath with left drain  
K-1167-JLH

## Features

- Eight Flexjet® hydromassage jets can be individually adjusted for water flow and direction.
- Variable speed pump for adjusting massage intensity.
- Built-in heater.
- Slotted overflow allows for deep soaking.
- Integral lumbar support.
- Textured bottom surface.

## Material

- Acrylic.

## Installation

- Alcove.
- Integral flange.
- Left drain.
- 120V electrical requirement allows for easy installation with standard outlet.
- Requires one dedicated circuit.

## Required Products/Accessories

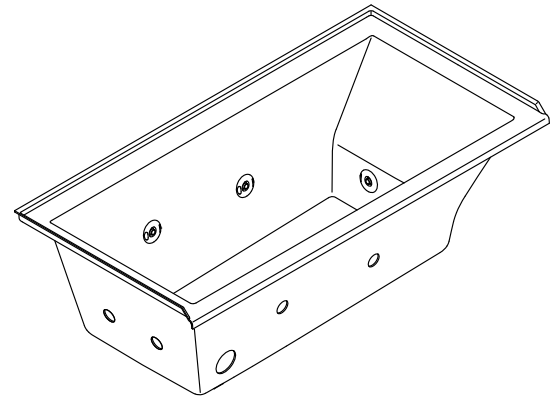
K-7271 Brass Slotted Overflow Bath Drain  
K-9698 Flexjet® Whirlpool Trim Kit

or

K-7272 PVC Slotted Overflow Bath Drain  
K-9698 Flexjet® Whirlpool Trim Kit

## Recommended Products/Accessories

K-1491 Bath/Whirlpool Pillow  
K-1601 Bath/Whirlpool Footstop  
K-1703 Whirlpool Remote Control  
K-9497 2-1/2" Keypad Trim  
K-24916 Wireless Music Kit  
K-702200-G54 Frameless Sliding Bath Door  
K-702200-G73 Frameless Sliding Bath Door  
K-702200-L Frameless Sliding Bath Door  
K-702205-L Frameless Sliding Bath Door  
K-706000-D3 Frameless Sliding Bath Door  
K-706000-L Frameless Sliding Bath Door  
K-706003-L Frameless Sliding Bath Door  
K-706004-D3 Frameless Sliding Bath Door  
K-706004-L Frameless Sliding Bath Door  
K-706007-L Frameless Sliding Bath Door



ADA

## Codes/Standards







ASME A112.19.7/CSA B45.10  
CSA B45.5/IAPMO Z124  
ASTM E162  
ASTM E662  
UL 1795  
CSA C22.2 No. 218.2  
ADA  
ICC/ANSI A117.1

## KOHLER® Plastic Baths and Receptors Lifetime Limited Warranty KOHLER® Hydrotherapy Components Five-Year Limited Warranty

See website for detailed warranty information.

## Available Colors/Finishes

*Color tiles intended for reference only.*

Color	Code	Description
	0	White
	96	Biscuit
	NY	Dune
	95	Ice™ Grey
	58	Thunder™ Grey
	7	Black Black™

1-800-4KOHLER (1-800-456-4537)

Kohler Co. reserves the right to make revisions without notice to product specifications.

For the most current Specification Sheet, go to [www.kohler.com](http://www.kohler.com).

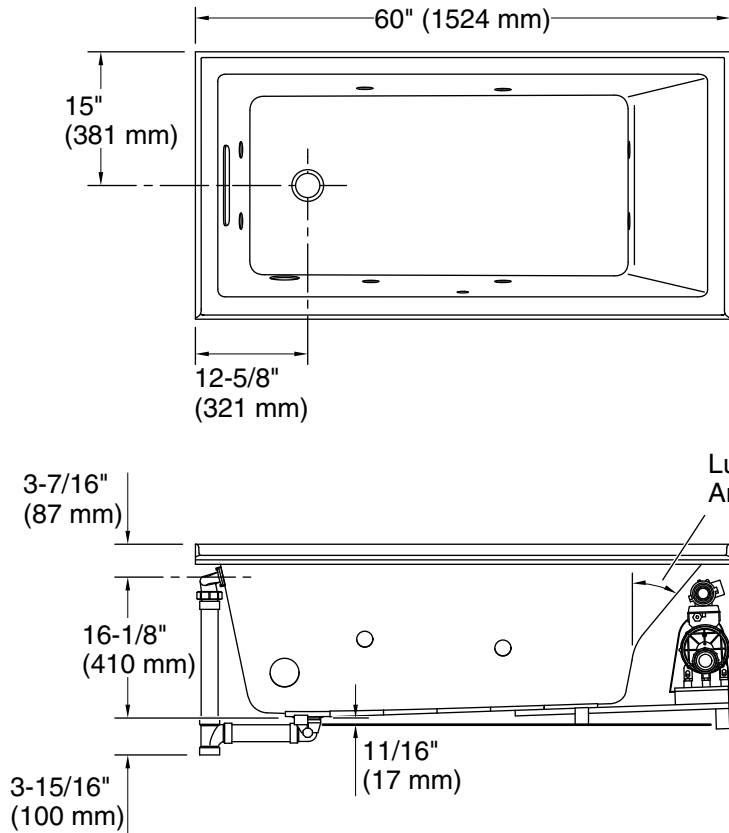
7-21-2020 18:14 - US

THE BOLD LOOK  
OF **KOHLER**®

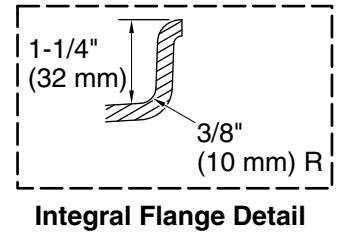


# Underscore® Rectangle

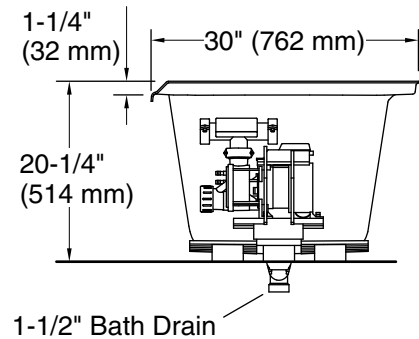
60" x 30" heated whirlpool bath with left drain  
K-1167-JLH



No change in measurements if connected with drain illustrated. (K-7271)



Blower Motor Access  
20" (508 mm) W x 15" (381 mm) H Min



## Required Electrical Service

Two dedicated circuits required, protected with Class A Ground-Fault Circuit-Interrupter (GFCI). Outside North America, this device may be known as a Residual Current Device (RCD).

Pump: 120 V, 15 A, 60 Hz  
Heater: 120 V, 15 A, 60 Hz

## Technical Information

All product dimensions are nominal.

Installation: Drop-in  
Basin area, bottom: 42-7/16" x 20" (1078 mm x 508 mm)  
Basin area, top: 54-5/16" x 24-1/4" (1380 mm x 617 mm)  
Weight: 120 lbs (54.4 kg)  
Minimum floor load: 46 lbs/ft<sup>2</sup> (224.6 kg/m<sup>2</sup>)  
Water depth: 14-3/4" (374 mm)  
Water capacity: 59.8 gal (226.4 L)  
Cutout: Drop-in, 59-1/2" x 28-1/2" (1511 mm x 724 mm)  
Electrical component rating: Pump: 120 V, 7 A, 60 Hz  
Heater: 120 V, 12 A, 60 Hz

## Notes

Measure your actual product for rough-in details. Install this product according to the installation instructions.

The hot water supply should be 70% of the capacity of the bath or greater. Installations will vary.

Provide one grounded electrical outlet within 24" (610 mm) of each component.

ADA compliant when installed to the specific requirements of these regulations.