



Ballast®
66" x 36" Shower Base
K-1938

Features

- Low-threshold design for easy entry and exit.
- Single threshold for alcove installation with integral tile-in flange.
- Durable acrylic with resin concrete core construction.
- Center drain.
- Allows for quick and easy mortar-less installation.

Recommended Products/Accessories

K-9132 Shower Drain



Codes/Standards

CSA B45.5/IAPMO Z124

ASTM E162

ASTM E662

**KOHLER® Plastic Baths and Receptors
Lifetime Limited Warranty**

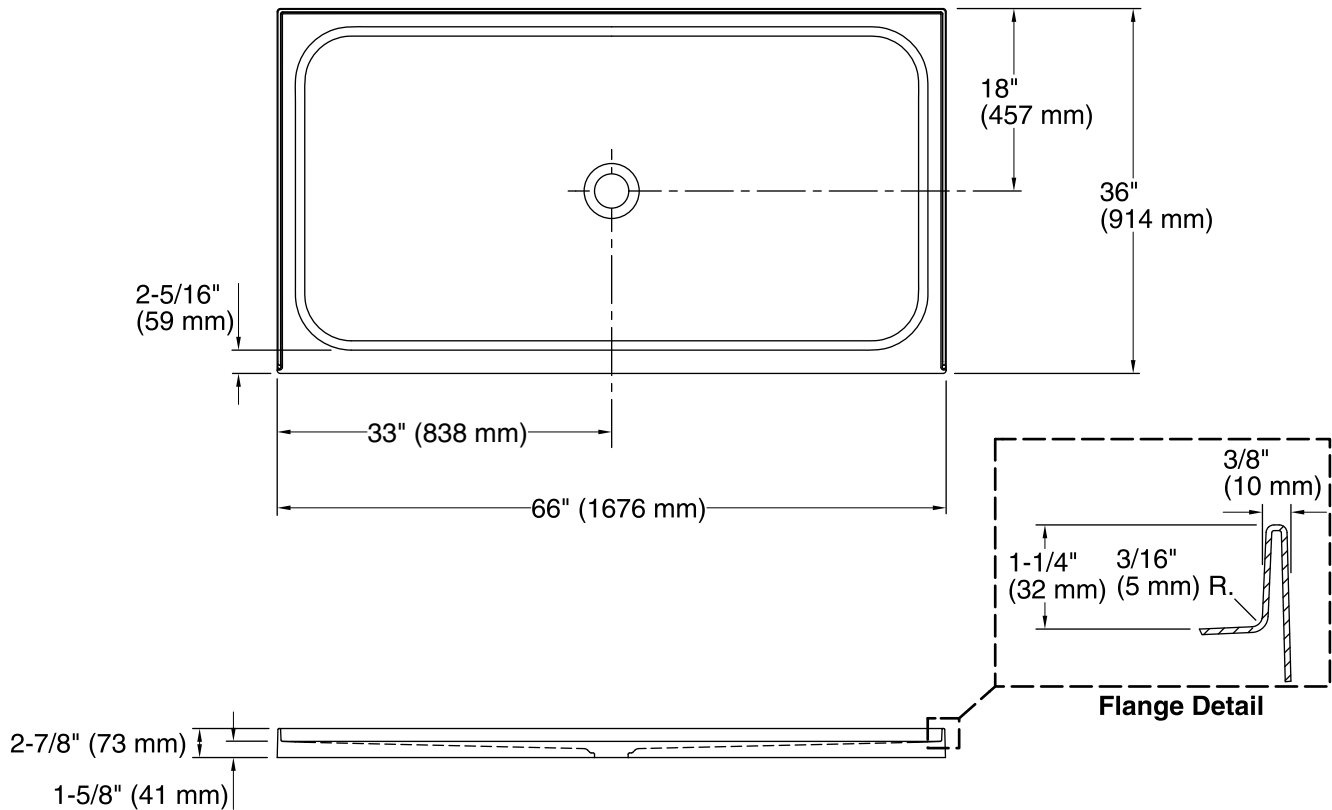
See website for detailed warranty information.

Available Colors/Finishes

Color tiles intended for reference only.

Color Code Description

■ 0 White



Technical Information

All product dimensions are nominal.

Installation: Three-wall alcove
 Drain location: Center
 Weight: 131 lbs (59.4 kg)

Notes

Measure your actual product for rough-in details. Install this product according to the installation instructions.

CAUTION: Risk of property damage and personal injury. Using this product without a shower door may cause water damage and may create a wet and potentially dangerous environment. Install a shower door with this product.

A shower door with a bottom track is required for this receptor. Kohler Co. shall not be responsible for problems encountered due to the installation and use of other manufacturer's shower doors.