



PureWash® M100

Toilet seat attachment for bidet functionality
K-22860

Features

- Convenient side handle for adjusting water pressure
- Handle rotates to activate front or rear spray option
- Dual self-cleaning wands automatically rinse after each use
- Manually-operated handle requires no batteries or electrical power
- Fits most elongated toilets

Material

- Plastic construction

Installation

- Requires connection to toilet water supply line. All hoses and connections are included

Recommended Products/Accessories

- K-5709 ContinuousClean XT two-piece elongated toilet with skirted trapway, 1.28 gpf
- K-25224 Tall two-piece elongated toilet, 1.28 gpf
- K-78080 One-piece compact elongated toilet with skirted trapway, 1.28 gpf
- K-78080-RA One-piece compact elongated toilet with skirted trapway, 1.28 gpf
- K-1381 One-piece elongated toilet with skirted trapway, dual-flush
- K-1381-HC Hidden cord one-piece elongated toilet with skirted trapway, dual-flush



Codes/Standards

None Applicable

KOHLER® One-Year Limited Warranty

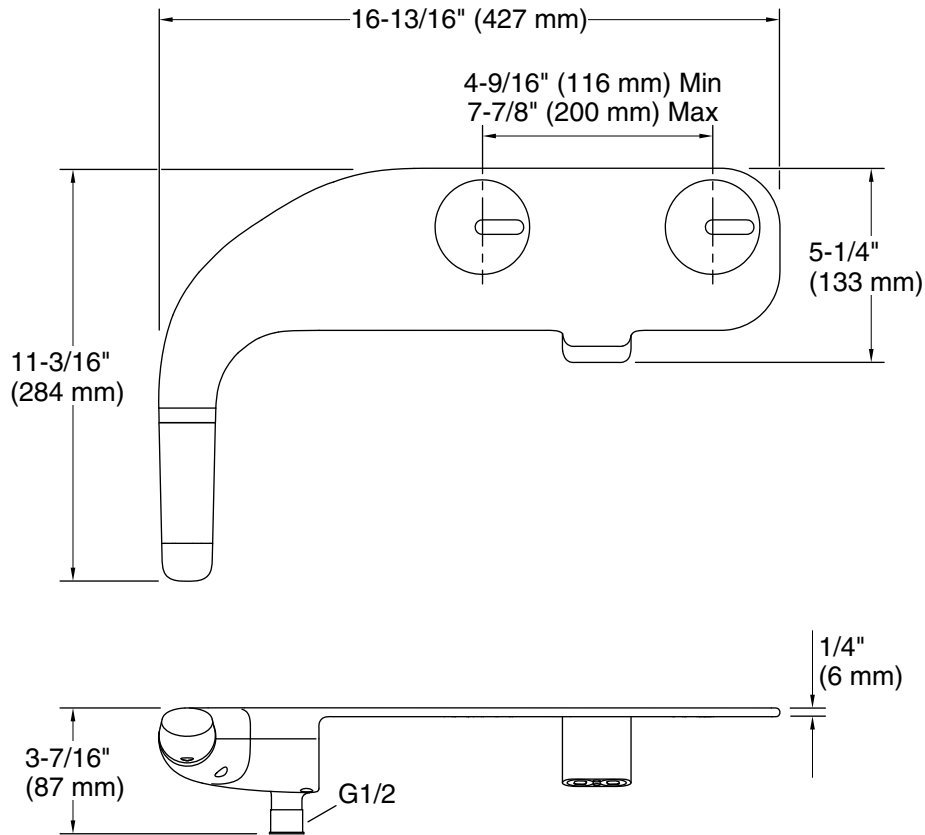
See website for detailed warranty information.

Available Colors/Finishes

Color tiles intended for reference only.

Color	Code	Description
-------	------	-------------

	0	White
---	---	-------



Technical Information

All product dimensions are nominal.

Seat shape type: Elongated
Seat front type: Open-front
Seat-mounting holes: 6-1/4" (158 mm)

Notes

Install this product according to the installation instructions.