

Features

- 36-inch minimum base cabinet width.
- Large/medium bowls.
- 8-inch depth.
- Single faucet hole.
- SilentShield® sound-absorption technology offers quieter performance.
- Includes installation hardware.
- Includes hardwood cutting board.

Material

- 18-gauge stainless steel.

Installation

- Top-mount

Recommended Products/Accessories

- K-5103 Left-Bowl Sink Rack
- K-5111 Sink Rack
- K-6377 Sponge Caddy
- K-6378 Kitchen Brush Caddy
- K-6379 Kitchen Squeegee
- K-6382 Disinfecting Wipes Dispenser
- K-8618 Paper Towel Holder
- K-8619 Flexible Kitchen Mat
- K-8801 Sink Strainer
- K-8799 Sink Strainer
- K-8624 Dish Scraper

Optional Products/Accessories

- K-3364 Colander
- K-3368 Sink Basket
- K-8813 Manual Sink Strainer with Tailpiece

Included Components

Product consists of:

- 1150001 Installation Clips
- K-3365 Cutting Board

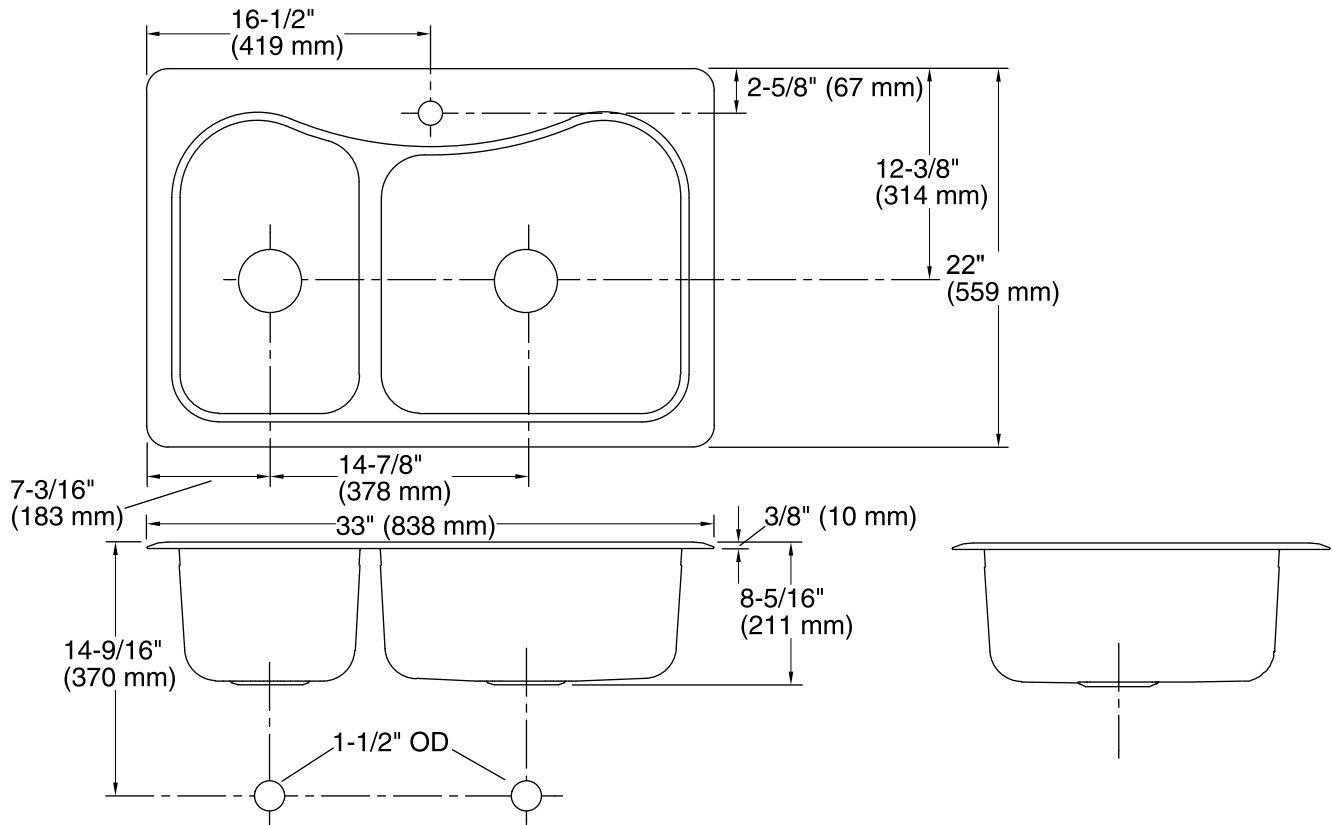


Codes/Standards

ASME A112.19.3/CSA B45.4

Lifetime Limited Warranty for KOHLER® Stainless Steel Sinks

See website for detailed warranty information.



Technical Information

All product dimensions are nominal.

Bowl configuration:	Off-set X-large/small
Installation:	Top-mount
Cutout:	Top-mount, 32-1/2" x 21-1/2" (826 mm x 546 mm) with 1" (25 mm) radius corners
Min. base cabinet width:	36" (914 mm)
Bowl area (Left):	Length: 17-1/16" (433 mm) Width: 10-7/16" (265 mm) Bowl depth: 8" (203 mm)
Bowl area (Right):	Length: 17-7/16" (443 mm) Width: 17-1/16" (433 mm) Bowl depth: 8" (203 mm)
Number of deck holes:	1
Faucet hole(s):	1-7/16" (37 mm)
Drain hole:	3-5/8" (92 mm)

Notes

Install this product according to the installation instructions.