

Features

- Rounded glass shades join pristinely with decorative mounts, creating an elegant simplicity
- Height adjustable from 16-1/2" (419 mm) to 46-1/2" (1181 mm)
- Candelabra base (E12) socket, works best with B11 or T8 bulb (sold separately)
- Suitable for damp locations, per UL 1598
- Suitable for sloped ceiling installations not to exceed 15°
- Includes installation hardware
- Coordinates with other products in the Crue collection

Material

- Manufactured with quality materials and complemented with a meticulous finishing process
- Durable finishes engineered to last and designed to coordinate with KOHLER faucet finishes



Codes/Standards

UL 1598
CSA C22.2 No. 250.0

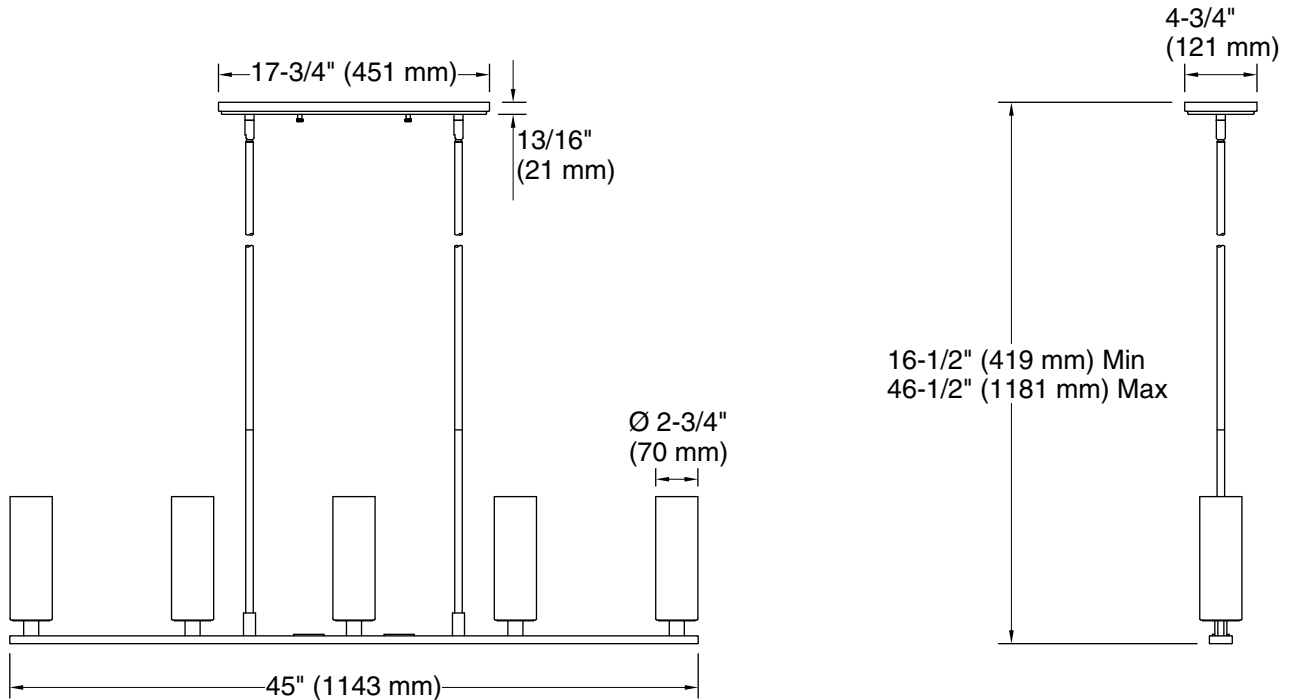
KOHLER® Indoor Lighting Fixtures Limited Warranty

See website for detailed warranty information.

Available Colors/Finishes

Color tiles intended for reference only.

| Color | Code | Description |
|---|------|-----------------------|
|  | TTL | Titanium |
|  | BNL | Brushed Nickel |
|  | CPL | Polished Chrome |
|  | BLL | Matte Black |
|  | 2GL | Brushed Moderne Brass |



Required Electrical Service

One circuit required.

120 V, 1.67 A, 60 Hz

Notes

Install this product according to the installation instructions.

Technical Information

All product dimensions are nominal.

| | |
|-------------------|--------------------------------------|
| Material: | Steel, Aluminum, Glass, Brass |
| Number of Lights: | 5 |
| Lighting Type: | Socket-based |
| Socket Type: | E-12 Candelabra |
| Number of Shades: | 5 |
| Shade Type: | Clear Glass |
| Hanging Type: | Downrod |
| Downrod Detail: | 6 x 12" (305 mm), 2 x 6" (152 mm) |
| Height: | 16-1/2" (419 mm) - 46-1/2" (1181 mm) |