

Features

- 27-inch minimum base cabinet width.
- Single bowl.
- 11-5/8-inch depth provides generous workspace.
- Single faucet hole.
- SilentShield® sound-absorption technology offers quieter performance.
- Includes installation hardware.

Material

- 18-gauge stainless steel.

Installation

- Top-mount

Recommended Products/Accessories

- K-3192 Sink Rack
- K-6021 Left-Bowl Sink Rack
- K-6022 Right-Bowl Sink Rack
- K-6129 Sink Rack
- K-6539 Drainboard with Sink Rack
- K-6377 Sponge Caddy
- K-6378 Kitchen Brush Caddy
- K-6379 Kitchen Squeegee
- K-6382 Disinfecting Wipes Dispenser
- K-6383 Soap Dispenser
- K-8618 Paper Towel Holder
- K-8619 Flexible Kitchen Mat
- K-8801 Sink Strainer
- K-8799 Sink Strainer
- K-8624 Dish Scraper

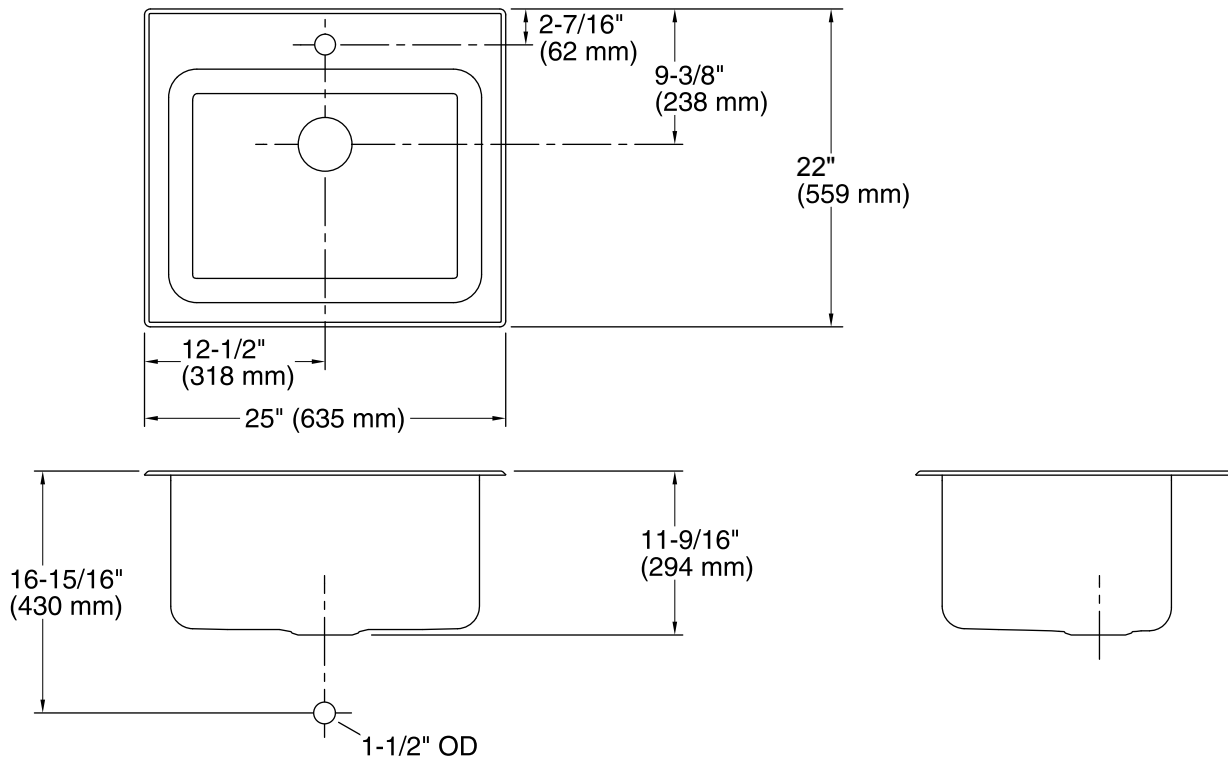


Codes/Standards

ASME A112.19.3/CSA B45.4

Lifetime Limited Warranty for KOHLER® Stainless Steel Sinks

See website for detailed warranty information.



Technical Information

All product dimensions are nominal.

Installation: Top-mount
 Min. base cabinet width: 27" (686 mm)

Bowl area (Only): Length: 21-1/4" (540 mm)
 Width: 15-3/4" (400 mm)
 Bowl depth: 11-5/16" (287 mm)
 Water depth: 11-5/16" (287 mm)

Number of deck holes: 1

Faucet hole(s): 1-7/16" (37 mm)

Drain hole: 3-3/4" (94 mm)

Notes

Install this product according to the installation instructions.